

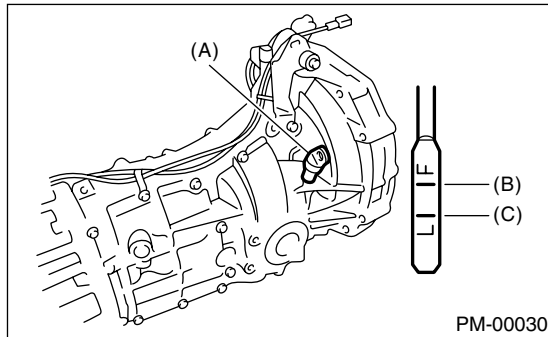
TRANSMISSION GEAR OIL

MANUAL TRANSMISSION AND DIFFERENTIAL

2. Transmission Gear Oil

A: INSPECTION

- 1) Park the vehicle on a level surface.
- 2) Turn the ignition switch to OFF, and then wait until the engine cools.
- 3) Remove the oil level gauge and wipe it clean.
- 4) Reinsert the level gauge all the way. Be sure the level gauge is correctly inserted and in the proper direction.
- 5) Pull out the oil level gauge again and check the oil level on it. If it is below the lower level, add oil through the oil level gauge hole to bring the level up to the upper level.



- (A) Oil level gauge
- (B) Upper level
- (C) Lower level

B: REPLACEMENT

- 1) Pull out the oil level gauge.
- 2) Lift-up the vehicle.
- 3) Drain the transmission gear oil completely.

CAUTION:

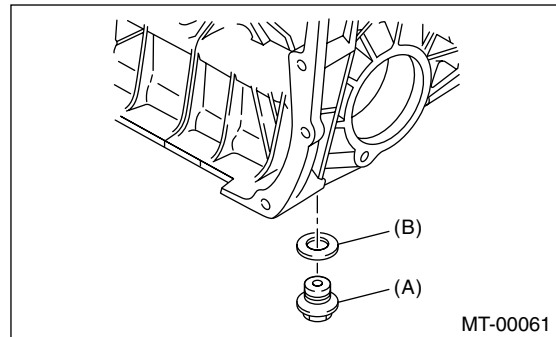
Directly after the engine has been running, the transmission gear oil is hot. Be careful not to burn yourself.

NOTE:

Tighten the transmission gear oil drain plug after draining the transmission gear oil.

Tightening torque:

69 N·m (7.0 kgf-m, 50.6 ft-lb)



- (A) Drain plug
- (B) Gasket

- 4) Lower the vehicle.
- 5) Pour gear oil into the gauge hole.

Recommended gear oil:

Use GL-5 (75W-90) or equivalent.

Gear oil capacity:

3.5 l (3.7 US qt, 3.1 Imp qt)

- 6) Check the level of the transmission gear oil.

CAUTION:

When inserting the level gauge into transmission gear, align the protrusion on the side of the top part of level gauge with the notch in the gauge hole.

NOTE:

The level should be within the specified range marked on the gauge.