

TRANSMISSION MOUNTING SYSTEM

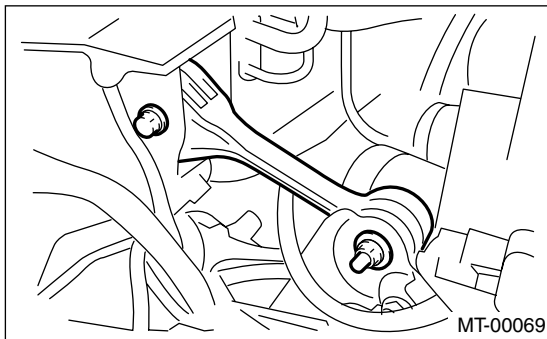
MANUAL TRANSMISSION AND DIFFERENTIAL

4. Transmission Mounting System

A: REMOVAL

1. PITCHING STOPPER

- 1) Disconnect the ground cable from battery.
- 2) Remove the air intake duct. (Non-turbo model)
<Ref. to IN(H4SO)-6, REMOVAL, Air Intake Duct.>
- 3) Remove the air cleaner case. (Non-turbo model)
<Ref. to IN(H4SO)-5, REMOVAL, Air Cleaner Case.>
- 4) Remove the intercooler. (Turbo model) <Ref. to IN(H4DOTC)-10, REMOVAL, Intercooler.>
- 5) Remove the pitching stopper.



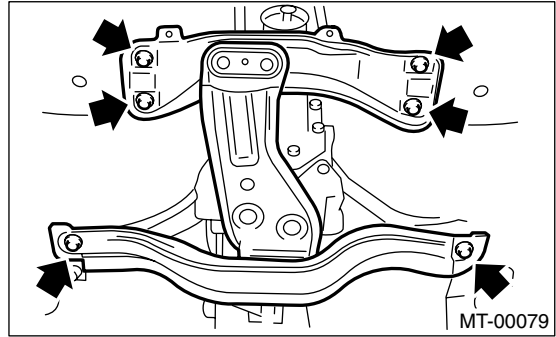
2. CROSSMEMBER AND CUSHION RUBBER

- 1) Disconnect the ground cable from battery.
- 2) Jack-up the vehicle and support it with sturdy racks.
- 3) Remove the front and center exhaust pipes. (Non-turbo model)
<Ref. to EX(H4SO)-4, REMOVAL, Front Exhaust Pipe.>
- 4) Remove the center exhaust pipe. (Turbo model)
<Ref. to EX(H4DOTC)-8, REMOVAL, Center Exhaust Pipe.>
- 5) Remove the rear exhaust pipe and muffler.
- 6) Remove the heat shield cover. (If equipped)
- 7) Set the transmission jack under the transmission body.

CAUTION:

Always support the transmission case with a transmission jack.

- 8) Remove the rear crossmember.



- 9) Remove the rear cushion rubber.

B: INSTALLATION

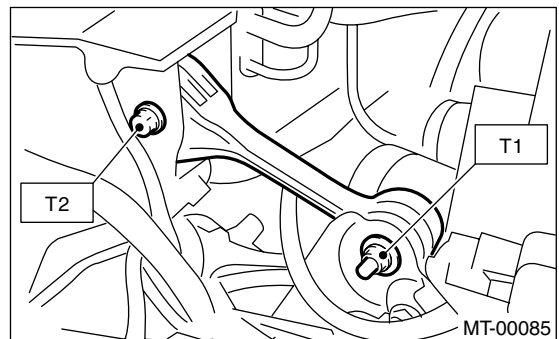
1. PITCHING STOPPER

- 1) Install the pitching stopper.

Tightening torque:

T1: 50 N·m (5.1 kgf-m, 37 ft-lb)

T2: 58 N·m (5.9 kgf-m, 43 ft-lb)



- 2) Install the air intake duct and cleaner case. (Non-turbo model)
<Ref. to IN(H4SO)-5, INSTALLATION, Air Cleaner Case.> and <Ref. to IN(H4SO)-6, INSTALLATION, Air Intake Duct.>
- 3) Install the intercooler. (Turbo model)
<Ref. to IN(H4DOTC)-10, INSTALLATION, Intercooler.>
- 4) Connect the battery ground cable to battery.

TRANSMISSION MOUNTING SYSTEM

MANUAL TRANSMISSION AND DIFFERENTIAL

2. CROSSMEMBER AND CUSHION RUBBER

1) Install the rear cushion rubber.

Tightening torque:

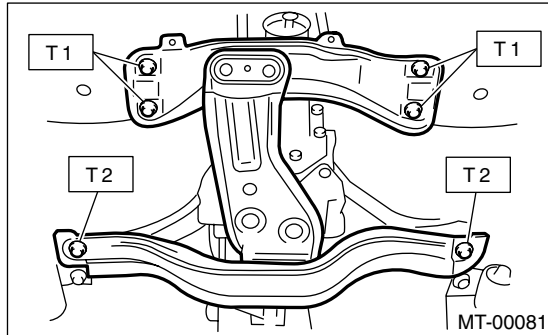
35 N·m (3.6 kgf-m, 26 ft-lb)

2) Install the rear crossmember.

Tightening torque:

T1: 70 N·m (7.1 kgf-m, 51 ft-lb)

T2: 140 N·m (14.3 kgf-m, 103 ft-lb)



3) Remove the transmission jack.

4) Install the heat shield cover. (If equipped)

5) Install the front and center exhaust pipes. (Non-turbo model)

<Ref. to EX(H4SO)-5, INSTALLATION, Front Exhaust Pipe.>

6) Install the center exhaust pipe. (Turbo model)
<Ref. to EX(H4DOTC)-9, INSTALLATION, Center Exhaust Pipe.>

7) Install the rear exhaust pipe and muffler.

C: INSPECTION

Repair or replace parts if the results of the inspection below are not satisfactory.

1. PITCHING STOPPER

Make sure the pitching stopper is not bent or damaged. Make sure the rubber is not stiff, cracked, or otherwise damaged.

2. CROSSMEMBER AND CUSHION RUBBER

Make sure the crossmember is not bent or damaged. Make sure the cushion rubber is not stiff, cracked, or otherwise damaged.