

OIL SEAL

MANUAL TRANSMISSION AND DIFFERENTIAL

5. Oil Seal

A: INSPECTION

Check the oil seal portion for leakage. If leakage is found, replace the oil seal with a new one.

B: REPLACEMENT

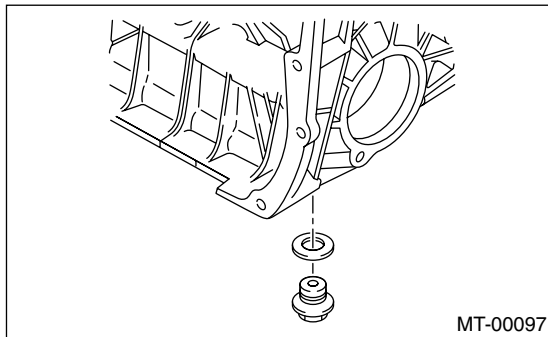
- 1) Clean the transmission exterior.
- 2) Drain the gear oil completely.

NOTE:

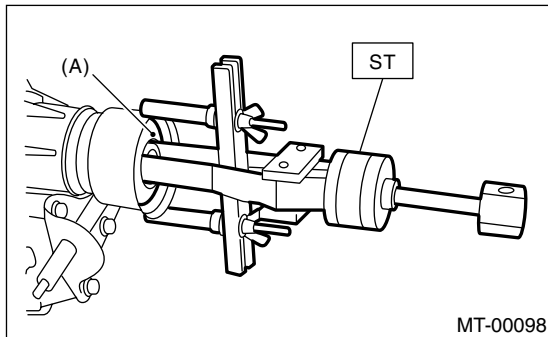
Tighten the drain plug after draining gear oil.

Tightening torque:

69 N·m (7.0 kgf·m, 50.6 ft·lb)

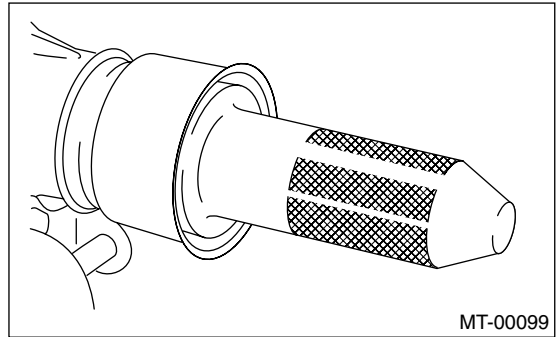


- 3) Remove the rear exhaust pipe and muffler.
 - 4) Remove the heat shield cover. (If equipped)
 - 5) Remove the propeller shaft. <Ref. to DS-14, REMOVAL, Propeller Shaft.>
 - 6) Using the ST, remove the oil seal.
- ST 398527700 PULLER ASSY



(A) Oil seal

- 7) Using the ST, install the oil seal.
- ST 498057300 INSTALLER



- 8) Install the propeller shaft. <Ref. to DS-15, INSTALLATION, Propeller Shaft.>
- 9) Install the heat shield cover. (If equipped)
- 10) Install the rear exhaust pipe and muffler.
- 11) Pour gear oil and check the oil level. <Ref. to 5MT-25, REPLACEMENT, Transmission Gear Oil.>