

# PREPARATION FOR OVERHAUL

## MANUAL TRANSMISSION AND DIFFERENTIAL

### 8. Preparation for Overhaul

#### A: PROCEDURE

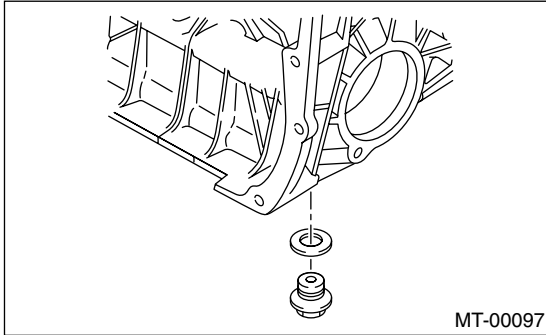
- 1) Clean oil, grease, dirt and dust from transmission.
- 2) Remove the drain plug to drain oil. After draining, retighten it as before.

**NOTE:**

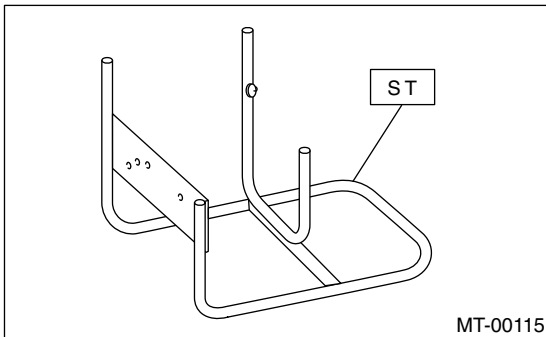
Replace the gasket with a new one.

**Tightening torque:**

**69 N·m (7.0 kgf·m, 50.6 ft·lb)**



- 3) Attach the transmission to ST.  
ST 499937100 TRANSMISSION STAND



- 4) Rotating parts should be coated with oil prior to assembly.
- 5) All disassembled parts, if to be reused, should be reinstalled in the original positions and directions.
- 6) Gaskets, lock washers and lock nut must be replaced with new ones.
- 7) Liquid gasket should be used where specified to prevent leakage.