

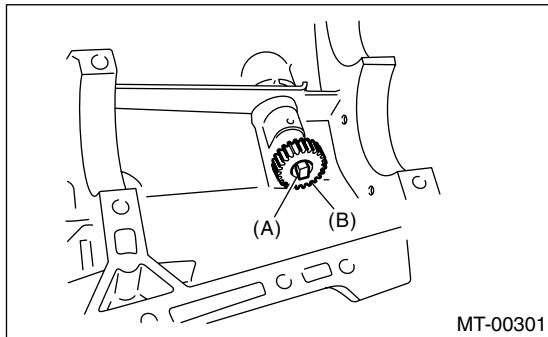
SPEEDOMETER GEAR

MANUAL TRANSMISSION AND DIFFERENTIAL

18.Speedometer Gear

A: REMOVAL

- 1) Remove the manual transmission assembly from vehicle. <Ref. to 5MT-26, REMOVAL, Manual Transmission Assembly.>
- 2) Remove the back-up light switch and neutral position switch. <Ref. to 5MT-35, REMOVAL, Switches and Harness.>
- 3) Remove the transfer case with extension case assembly. <Ref. to 5MT-39, REMOVAL, Transfer Case and Extension Case Assembly.>
- 4) Remove the transmission case. <Ref. to 5MT-51, REMOVAL, Transmission Case.>
- 5) Remove the vehicle speed sensor. <Ref. to 5MT-37, REMOVAL, Vehicle Speed Sensor.>
- 6) Remove the outer snap ring and pull out speedometer driven gear. Next, remove the oil seal, speedometer shaft and washer.



- (A) Outer snap ring
- (B) Speedometer driven gear

B: INSTALLATION

- 1) Install the washer and speedometer shaft, and press fit the oil seal with ST.

NOTE:

Use a new oil seal, if it has been removed.

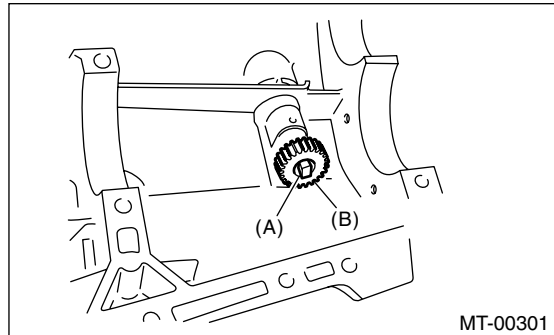
ST 899824100 or 499827000 PRESS

- 2) Install the vehicle speed sensor. <Ref. to 5MT-37, INSTALLATION, Vehicle Speed Sensor.>

- 3) Install the speedometer driven gear and snap ring.

NOTE:

Use a new snap ring, if it has been removed.



- (A) Outer snap ring
- (B) Speedometer driven gear

- 4) Install the transmission case. <Ref. to 5MT-52, INSTALLATION, Transmission Case.>

- 5) Install the transfer case with extension case assembly. <Ref. to 5MT-39, INSTALLATION, Transfer Case and Extension Case Assembly.>

- 6) Install the back-up light switch and neutral position switch. <Ref. to 5MT-35, INSTALLATION, Switches and Harness.>

- 7) Install the manual transmission assembly to vehicle. <Ref. to 5MT-29, INSTALLATION, Manual Transmission Assembly.>

C: INSPECTION

Check the speedometer gear, oil seal and speedometer shaft for damage. Replace if damaged.