

### 3. Oil Seal

#### A: INSPECTION

Inspect for oil leakage from the oil seal. Replace the oil seal if the lips is deformed, hardened, damaged, worn or defective if any.

#### B: REPLACEMENT

- 1) Clean the transmission exterior.
- 2) Drain the gear oil completely.

#### NOTE:

- Tighten the drain plug after draining gear oil.
- Always use a new gasket.

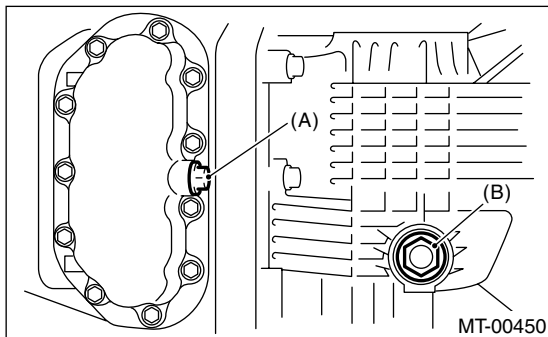
#### Tightening torque:

##### Oil pan side

**44 N·m (4.5 kgf-m, 32.5 ft-lb)**

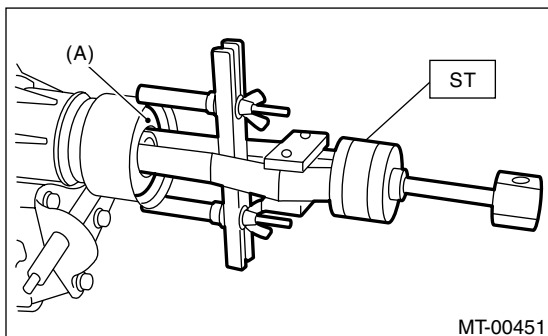
##### Clutch housing side

**70 N·m (7.1 kgf-m, 51.6 ft-lb)**



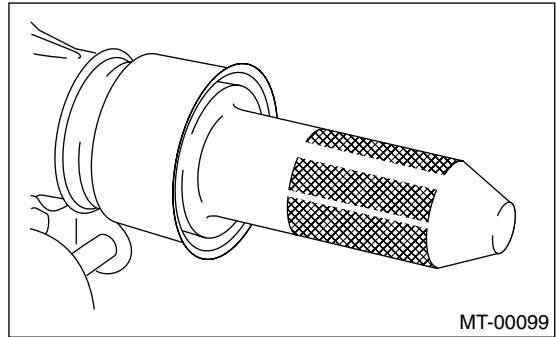
- (A) Drain plug (Oil pan side)  
 (B) Drain plug (Clutch housing side)

- 3) Remove the rear exhaust pipe and muffler.
  - 4) Remove the propeller shaft. <Ref. to DS-14, REMOVAL, Propeller Shaft.>
  - 5) Using the ST, remove the oil seal.
- ST 398527700 PULLER ASSY



- (A) Oil seal

- 6) Using the ST, install the oil seal.
- ST 498057300 INSTALLER



- 7) Install the propeller shaft. <Ref. to DS-15, INSTALLATION, Propeller Shaft.>
- 8) Install the rear exhaust pipe and muffler.
- 9) Pour gear oil and check the oil level. <Ref. to 6MT-30, REPLACEMENT, Transmission Gear Oil.>