

# PREPARATION FOR OVERHAUL

## MANUAL TRANSMISSION AND DIFFERENTIAL

### 7. Preparation for Overhaul

#### A: PROCEDURE

- 1) Clean oil, grease, dirt and dust from transmission.
- 2) Remove the drain plug to drain oil. After draining, retighten it as before.

#### NOTE:

Replace the gasket with a new one.

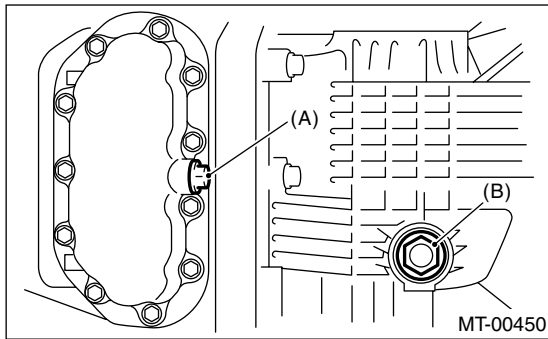
#### Tightening torque:

##### Oil pan side

**44 N-m (4.5 kgf-m, 32.5 ft-lb)**

##### Clutch housing side

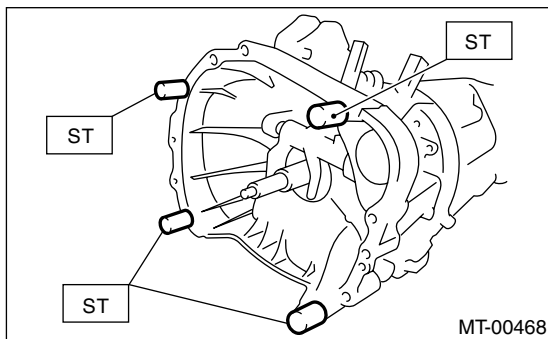
**70 N-m (7.1 kgf-m, 51.6 ft-lb)**



(A) Drain plug (Oil pan side)

(B) Drain plug (Clutch housing side)

- 3) Attach the transmission to ST.  
ST 18632AA000 STAND ASSY



- 4) Rotating parts should be coated with oil prior to assembly.
- 5) All disassembled parts, if to be reused, should be reinstalled in the original positions and directions.
- 6) Gaskets, lock washers and lock nut must be replaced with new ones.
- 7) Liquid gasket should be used where specified to prevent leakage.