

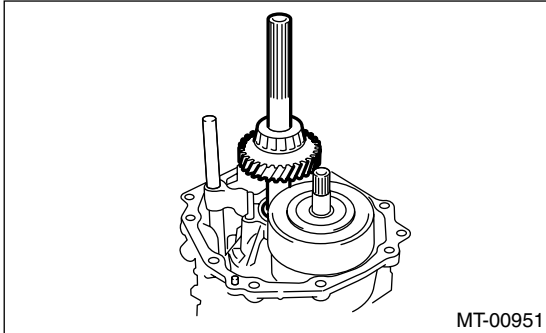
TRANSFER DRIVEN GEAR

MANUAL TRANSMISSION AND DIFFERENTIAL

15. Transfer Driven Gear

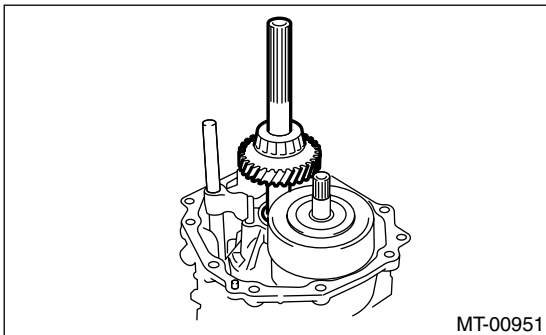
A: REMOVAL

- 1) Remove the manual transmission assembly from vehicle. <Ref. to 6MT-35, REMOVAL, Manual Transmission Assembly.>
- 2) Prepare the transmission for overhaul. <Ref. to 6MT-40, Preparation for Overhaul.>
- 3) Remove the extension case. <Ref. to 6MT-47, REMOVAL, Extension Case.>
- 4) Remove the transfer driven gear.



B: INSTALLATION

- 1) Install the transfer driven gear.

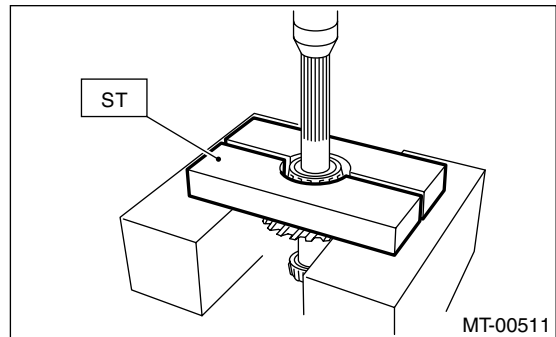


- 2) If the bearing or transfer driven gear is replaced, select the transfer driven thrust washer. <Ref. to 6MT-49, ADJUSTMENT, Extension Case.>
- 3) Install the extension case. <Ref. to 6MT-47, INSTALLATION, Extension Case.>
- 4) Install the manual transmission assembly to vehicle. <Ref. to 6MT-37, INSTALLATION, Manual Transmission Assembly.>

C: DISASSEMBLY

- 1) Using the ST, remove the roller bearing of extension case side.

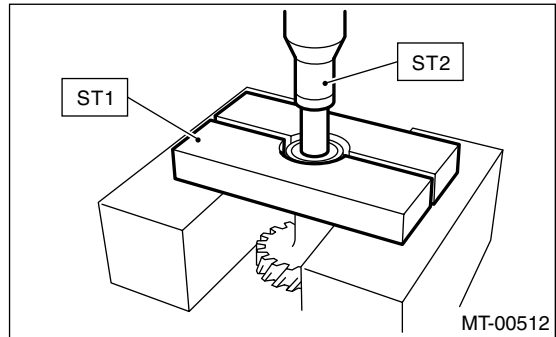
ST 498515700 REMOVER



- 2) Using the ST, remove the roller bearing of transmission case side.

ST1 899858600 REMOVER

ST2 899864100 REMOVER



D: ASSEMBLY

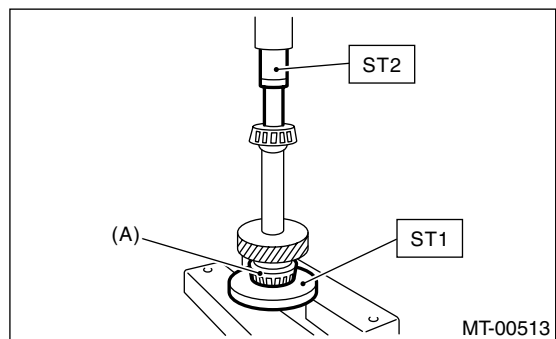
- 1) Using the ST, install the roller bearing of extension case side.

ST1 398177700 INSTALLER

ST2 899864100 REMOVER

CAUTION:

Do not apply pressure in excess of 10 kN (1 ton, 1.1 US ton, 1.0 Imp ton).



(A) Roller bearing

TRANSFER DRIVEN GEAR

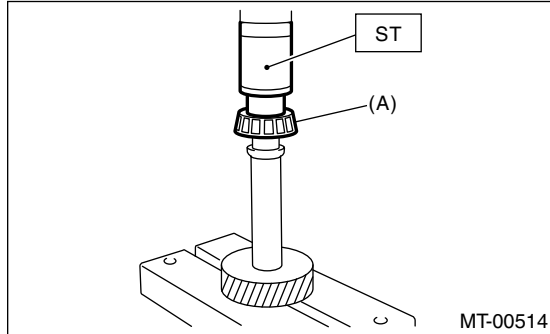
MANUAL TRANSMISSION AND DIFFERENTIAL

2) Using the ST, install the roller bearing of transmission case side.

ST 499757002 INSTALLER

CAUTION:

Do not apply pressure in excess of 10 kN (1 ton, 1.1 US ton, 1.0 Imp ton).



(A) Roller bearing

E: INSPECTION

1) Bearings

Replace the bearing in following cases.

- Broken or rusty bearings
- Worn or damaged
- Bearings that fail to turn smoothly or make abnormal noise when turned after gear oil lubrication.

2) Driven gear

Replace the driven gear in following case.

- If their tooth surfaces and shaft are excessively broken or damaged.