

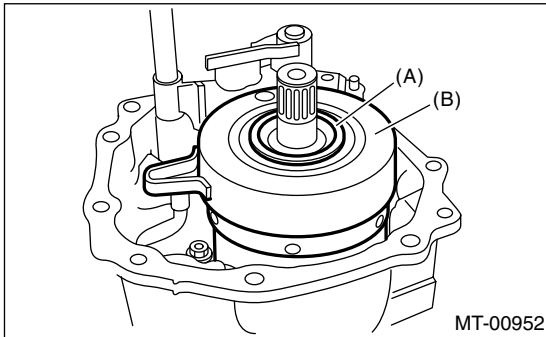
# CENTER DIFFERENTIAL

## MANUAL TRANSMISSION AND DIFFERENTIAL

### 16.Center Differential

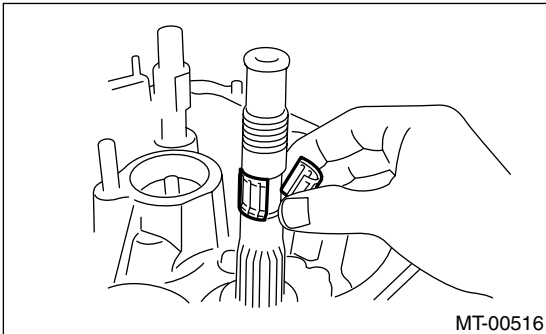
#### A: REMOVAL

- 1) Remove the manual transmission case assembly from vehicle. <Ref. to 6MT-35, REMOVAL, Manual Transmission Assembly.>
- 2) Prepare the transmission for overhaul. <Ref. to 6MT-40, Preparation for Overhaul.>
- 3) Remove the extension case. <Ref. to 6MT-47, REMOVAL, Extension Case.>
- 4) Remove the transfer driven gear. <Ref. to 6MT-58, REMOVAL, Transfer Driven Gear.>
- 5) Disconnect the center differential connector.
- 6) Remove the thrust washer and center differential.



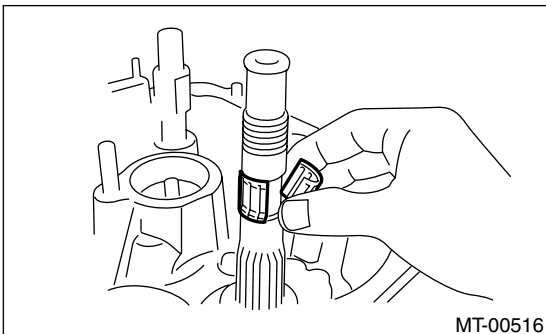
- (A) Thrust washer  
(B) Center differential

- 7) Remove the needle bearing.

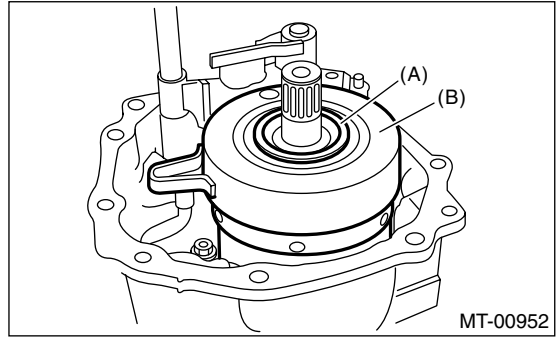


#### B: INSTALLATION

- 1) Install the needle bearing.



- 2) Install the thrust washer and center differential.



- (A) Thrust washer  
(B) Center differential

- 3) If replacing the center differential, select the transfer drive gear and thrust washer and install. <Ref. to 6MT-49, ADJUSTMENT, Extension Case.>
- 4) Connect the center differential connector, and secure it to oil guide.
- 5) Install the transfer driven gear. <Ref. to 6MT-58, INSTALLATION, Transfer Driven Gear.>
- 6) Install the extension case. <Ref. to 6MT-47, INSTALLATION, Extension Case.>
- 7) Install the manual transmission case assembly to vehicle. <Ref. to 6MT-37, INSTALLATION, Manual Transmission Assembly.>

#### C: INSPECTION

Make sure there is no damage on the center differential, ball bearing and oil pump drive gear. Replace the center differential assembly if damaged.