

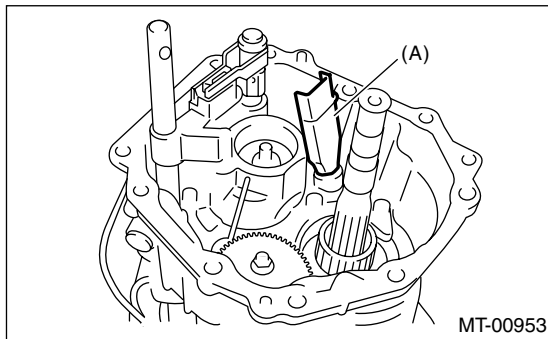
OIL PUMP

MANUAL TRANSMISSION AND DIFFERENTIAL

17.Oil Pump

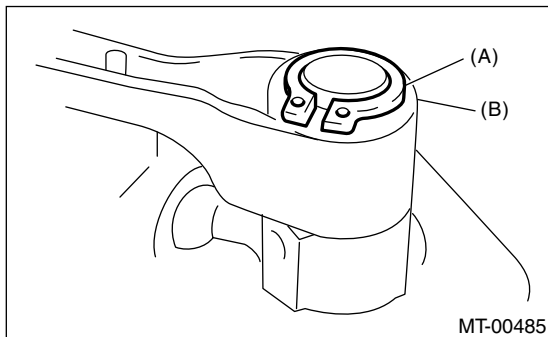
A: REMOVAL

- 1) Remove the manual transmission assembly from vehicle. <Ref. to 6MT-35, REMOVAL, Manual Transmission Assembly.>
- 2) Prepare the transmission for overhaul. <Ref. to 6MT-40, Preparation for Overhaul.>
- 3) Remove the extension case. <Ref. to 6MT-47, REMOVAL, Extension Case.>
- 4) Remove the transfer driven gear. <Ref. to 6MT-58, REMOVAL, Transfer Driven Gear.>
- 5) Remove the center differential. <Ref. to 6MT-60, REMOVAL, Center Differential.>
- 6) Remove the oil guide.



(A) Oil guide

- 7) Remove the snap ring.

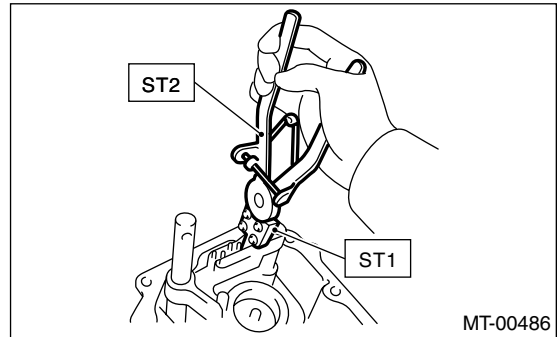


(A) Snap ring
(B) Support

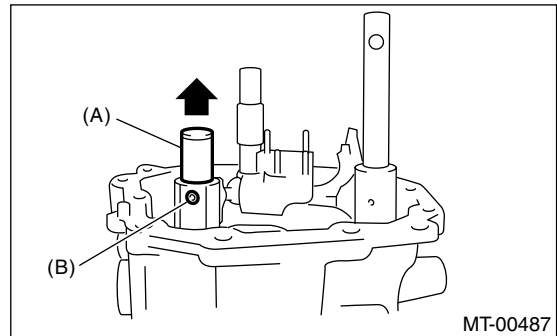
- 8) Using the ST, remove the neutral set spring and support.

ST1 18756AA000 CLAW

ST2 399863600 PLIERS

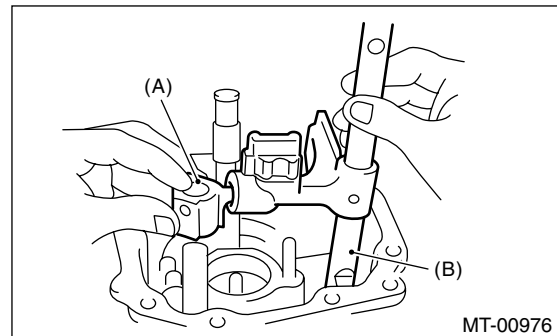


- 9) Raise the striking rod up, and then remove the spring pin.



(A) Striking rod
(B) Spring pin

- 10) Remove the selector arm No. 2 and shifter arm.



(A) Selector arm No. 2
(B) Shifter arm

OIL PUMP

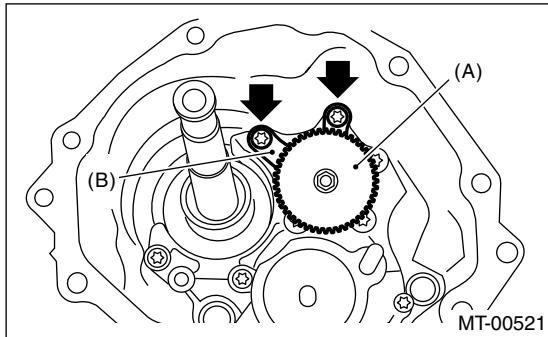
MANUAL TRANSMISSION AND DIFFERENTIAL

11) Remove the oil pump shaft assembly and plate.

NOTE:

Remove the bolts using ST, because tool may break if general tool is used.

ST 18663AA000 SOCKET



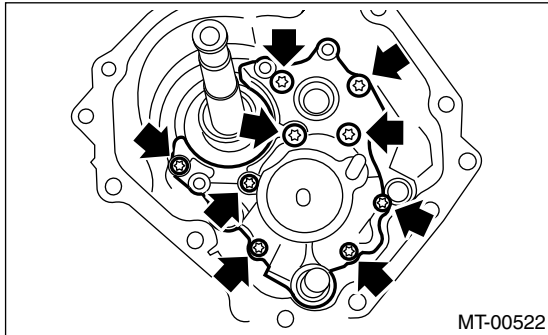
- (A) Oil pump shaft assembly
- (B) Plate

12) Remove the oil pump cover assembly.

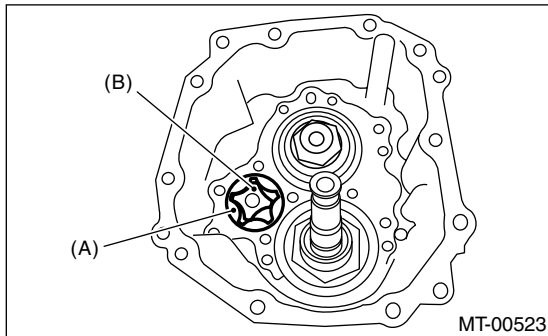
NOTE:

Remove the bolts using ST, because tool may break if general tool is used.

ST 18663AA000 SOCKET



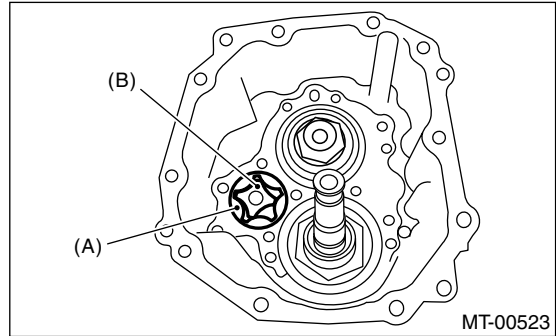
- 13) Remove the thrust washer on main shaft part.
- 14) Remove the oil pump rotor.



- (A) Outer rotor
- (B) Inner rotor

B: INSTALLATION

1) Apply oil to the outer periphery of outer rotor, then install to transmission case.



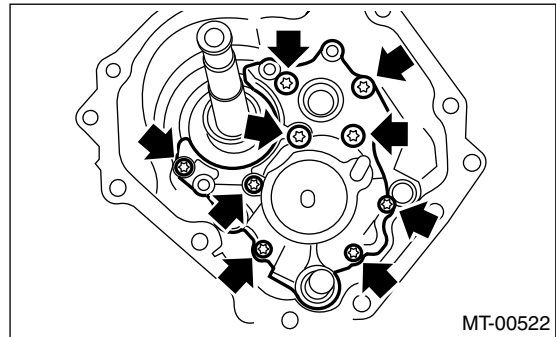
- (A) Outer rotor
- (B) Inner rotor

- 2) Install the thrust washer to main shaft part.
- 3) Install the oil pump cover assembly.

Tightening torque:

25 N·m (2.5 kgf-m, 18.1 ft-lb)

ST 18663AA000 SOCKET

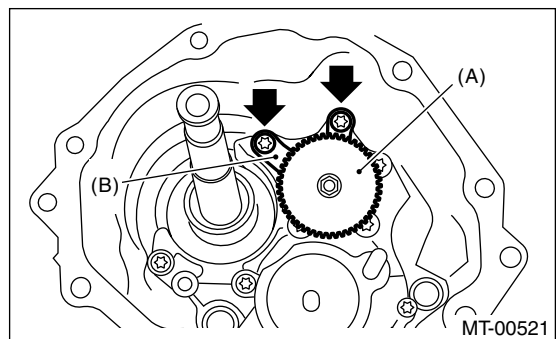


4) Install the oil pump shaft assembly and plate.

Tightening torque:

25 N·m (2.5 kgf-m, 18.1 ft-lb)

ST 18663AA000 SOCKET



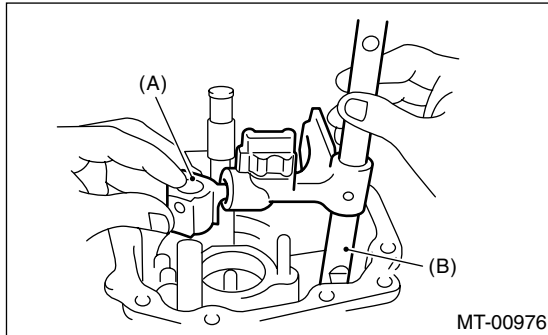
- (A) Oil pump shaft assembly
- (B) Plate

OIL PUMP

MANUAL TRANSMISSION AND DIFFERENTIAL

5) If replacing the oil pump cover assembly, select the transfer driven gear and thrust washer, then install them to the extension case. <Ref. to 6MT-49, ADJUSTMENT, Extension Case.>

6) Install the selector arm No. 2 and shifter arm.



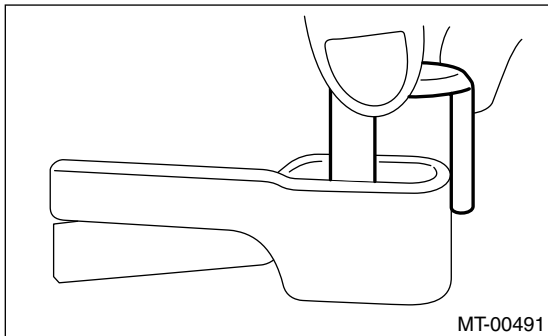
- (A) Selector arm No. 2
- (B) Shift arm

7) Install a new spring pin.

8) Install the support to neutral set spring.

NOTE:

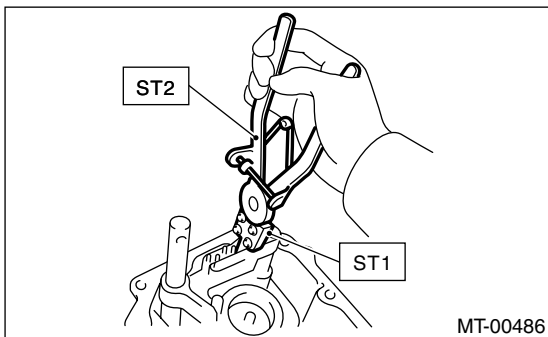
Make sure to install the support in proper direction.



9) Using the ST, install the neutral set spring and support.

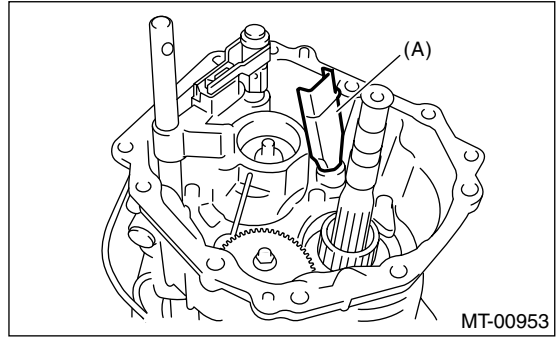
ST1 18756AA000 CLAW

ST2 399863600 PLIERS



10) Install the snap ring.

11) Install the oil guide.



- (A) Oil guide

12) Install the center differential. <Ref. to 6MT-60, INSTALLATION, Center Differential.>

13) Install the transfer driven gear. <Ref. to 6MT-58, INSTALLATION, Transfer Driven Gear.>

14) Install the extension case. <Ref. to 6MT-47, INSTALLATION, Extension Case.>

15) Install the manual transmission assembly to vehicle. <Ref. to 6MT-37, INSTALLATION, Manual Transmission Assembly.>

C: INSPECTION

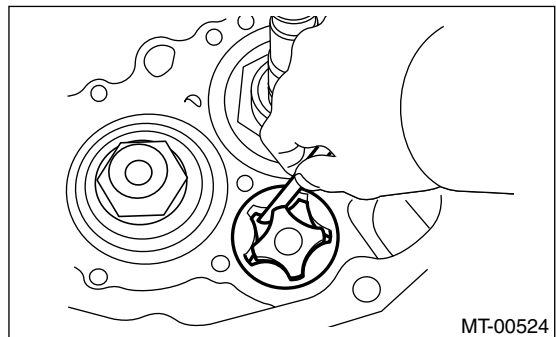
1) Make sure there is no damage on the inner rotor and outer rotor. Replace the inner rotor and outer rotor as assembly if damaged.

2) Clearance at tip

Install the inner rotor and outer rotor to transmission case. Align tip of the inner rotor and outer rotor, then measure the clearance. Replace the inner rotor and outer rotor as a set if clearance exceeds specification.

Specification of clearance at tip:

Less than 0.15 mm (0.0059 in)



OIL PUMP

MANUAL TRANSMISSION AND DIFFERENTIAL

3) Side clearance

Measure to the transmission case and rotor. Replace the inner rotor and outer rotor as a set if clearance exceeds specification.

Specification of side clearance:

0.03 — 0.10 mm (0.0012 — 0.0039 in)

