

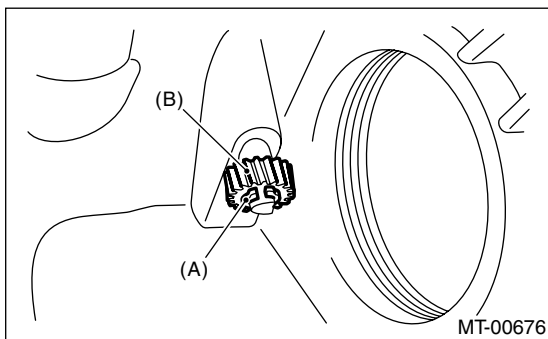
SPEEDOMETER GEAR

MANUAL TRANSMISSION AND DIFFERENTIAL

24.Speedometer Gear

A: REMOVAL

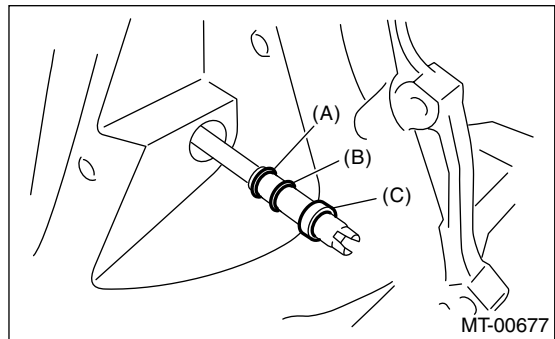
- 1) Remove the manual transmission assembly from vehicle. <Ref. to 6MT-35, REMOVAL, Manual Transmission Assembly.>
- 2) Prepare the transmission for overhaul. <Ref. to 6MT-40, Preparation for Overhaul.>
- 3) Remove the oil pipe, neutral position switch, back-up light switch and harness. <Ref. to 6MT-42, REMOVAL, Oil Pipe.>, <Ref. to 6MT-45, REMOVAL, Neutral Position Switch.>, <Ref. to 6MT-43, REMOVAL, Back-up Light Switch.>
- 4) Remove the extension case. <Ref. to 6MT-47, REMOVAL, Extension Case.>
- 5) Remove the transfer driven gear. <Ref. to 6MT-58, REMOVAL, Transfer Driven Gear.>
- 6) Remove the center differential. <Ref. to 6MT-60, REMOVAL, Center Differential.>
- 7) Remove the oil pump. <Ref. to 6MT-61, REMOVAL, Oil Pump.>
- 8) Remove the transmission case. <Ref. to 6MT-65, REMOVAL, Transmission Case.>
- 9) Remove each gear assembly. <Ref. to 6MT-70, REMOVAL, Main Shaft Assembly.>
- 10) Remove the drive pinion shaft assembly. <Ref. to 6MT-97, REMOVAL, Drive Pinion Shaft Assembly.>
- 11) Remove the front differential assembly. <Ref. to 6MT-103, REMOVAL, Front Differential Assembly.>
- 12) Remove the vehicle speed sensor. <Ref. to 6MT-32, REMOVAL, Vehicle Speed Sensor.>
- 13) Remove the snap ring, and then remove the speedometer driven gear.



- (A) Snap ring
- (B) Speedometer driven gear

- 14) Remove the speedometer shaft from clutch housing.

- 15) Remove the oil seal, speedometer shaft and washer.



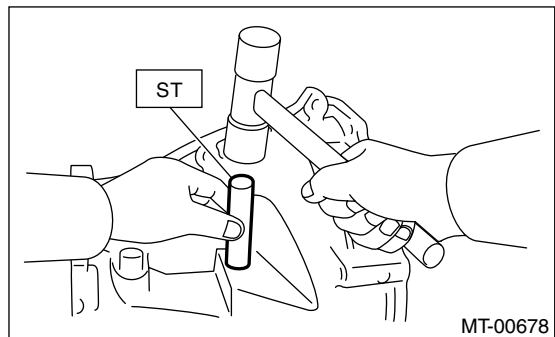
- (A) Washer
- (B) Snap ring
- (C) Oil seal

- 16) Remove the snap ring from speedometer shaft.

B: INSTALLATION

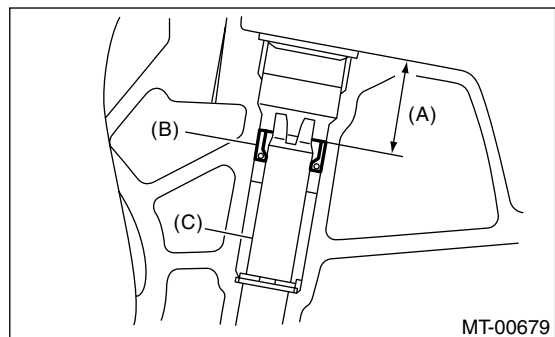
- 1) Install the oil seal, washer and snap ring to speedometer shaft.
- 2) Insert the speedometer shaft. Using the ST, press the oil seal.

ST 899824100 or 499827000PRESS



NOTE:

- Replace the oil seal with a new one.
- Insert the oil seal approx. 24 mm (0.94 in) from the edge of clutch case.

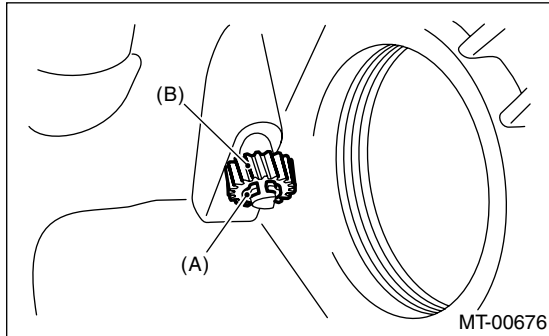


- (A) Approx. 24 mm (0.94 in)
- (B) Oil seal
- (C) Speedometer shaft

SPEEDOMETER GEAR

MANUAL TRANSMISSION AND DIFFERENTIAL

3) Install the speedometer driven gear and snap ring.



- (A) Snap ring
- (B) Speedometer driven gear

4) Install the vehicle speed sensor. <Ref. to 6MT-32, INSTALLATION, Vehicle Speed Sensor.>

5) Install the front differential assembly. <Ref. to 6MT-104, INSTALLATION, Front Differential Assembly.>

6) Install the drive pinion shaft assembly. <Ref. to 6MT-97, INSTALLATION, Drive Pinion Shaft Assembly.>

7) Install each gear assembly at once. <Ref. to 6MT-71, INSTALLATION, Main Shaft Assembly.>

8) Install the transmission case. <Ref. to 6MT-66, INSTALLATION, Transmission Case.>

9) Install the oil pump. <Ref. to 6MT-62, INSTALLATION, Oil Pump.>

10) Install the center differential. <Ref. to 6MT-60, INSTALLATION, Center Differential.>

11) Install the transfer driven gear. <Ref. to 6MT-58, INSTALLATION, Transfer Driven Gear.>

12) Install the extension case. <Ref. to 6MT-47, INSTALLATION, Extension Case.>

13) Install the oil pipe, neutral position switch, back-up light switch and harness. <Ref. to 6MT-42, INSTALLATION, Oil Pipe.>, <Ref. to 6MT-45, INSTALLATION, Neutral Position Switch.>, <Ref. to 6MT-43, INSTALLATION, Back-up Light Switch.>

14) Install the manual transmission assembly to vehicle. <Ref. to 6MT-37, INSTALLATION, Manual Transmission Assembly.>