

## 2. Clutch Disc and Cover

### A: REMOVAL

1) Remove the transmission assembly from vehicle body.

5MT:

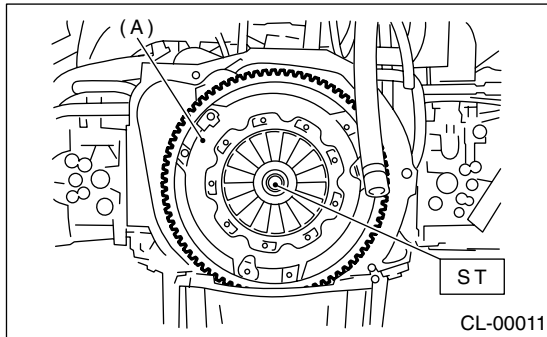
<Ref. to 5MT-26, REMOVAL, Manual Transmission Assembly.>

6MT:

<Ref. to 6MT-35, REMOVAL, Manual Transmission Assembly.>

2) Install the ST on flywheel.

ST 499747100 CRANKSHAFT STOPPER



(A) Clutch cover

3) Remove the clutch cover and clutch disc.

NOTE:

- Take care not to allow oil on the clutch disc facing.
- Do not disassemble either the clutch cover or clutch disc.

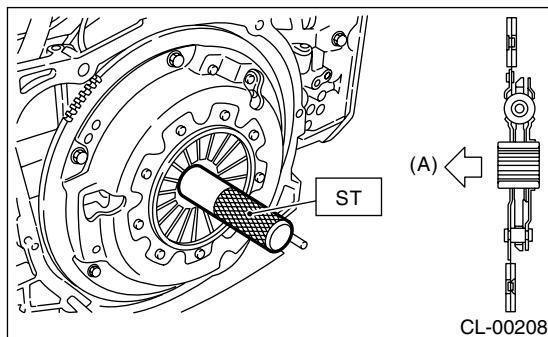
### B: INSTALLATION

1) Insert the ST into clutch disc and install them on the flywheel by inserting the ST end into pilot bearing.

NOTE:

When installing the clutch disc, be careful to its direction.

ST 499747100 CLUTCH DISC GUIDE



(A) Flywheel side

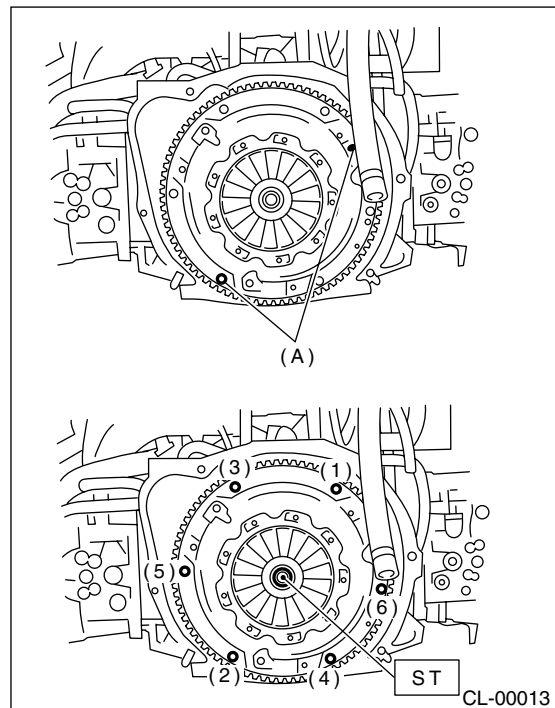
2) Install the clutch cover on flywheel and tighten the bolts to specified torque.

NOTE:

- When installing the clutch cover on flywheel, position the clutch cover so that there is a gap of 120° or more between “0” marks on the flywheel and clutch cover. (“0” marks indicate the directions of residual unbalance.)
- Note the front and rear of the clutch disc when installing.
- Temporarily tighten the bolts by hand. Each bolt should be tightened to the specified torque in a crisscross fashion.

**Tightening torque:**

**16 N·m (1.6 kgf·m, 11.8 ft·lb)**



(A) “0” marks

3) Remove the ST.

ST 499747100 CLUTCH DISC GUIDE

4) Install the transmission assembly.

5MT:

<Ref. to 5MT-29, INSTALLATION, Manual Transmission Assembly.>

6MT:

<Ref. to 6MT-37, INSTALLATION, Manual Transmission Assembly.>

# CLUTCH DISC AND COVER

## CLUTCH SYSTEM

### C: INSPECTION

#### 1. CLUTCH DISC

##### 1) Facing wear

Measure the depth of rivet head from the surface of facing. Replace if facings are worn locally or worn down to less than the specified value.

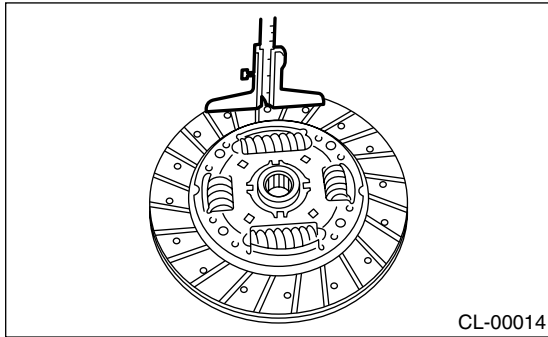
##### **Depth of rivet head:**

##### **Limit of sinking**

**0.3 mm (0.012 in)**

##### NOTE:

Do not wash the clutch disc with any cleaning fluid.

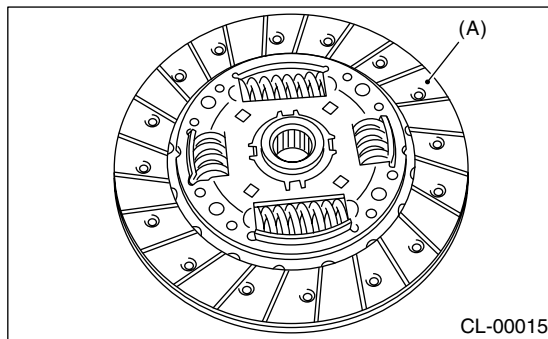


##### 2) Hardened facing

Correct by using emery paper or replace.

##### 3) Oil soakage on facing

Replace the clutch disc and inspect the transmission front oil seal, transmission case mating surface, engine rear oil seal and other points for oil leakage.



(A) Clutch facing

##### 4) Deflection on facing

If deflection exceeds the specified value at the outer circumference of facing, repair or replace.

ST 499747100 CLUTCH DISC GUIDE

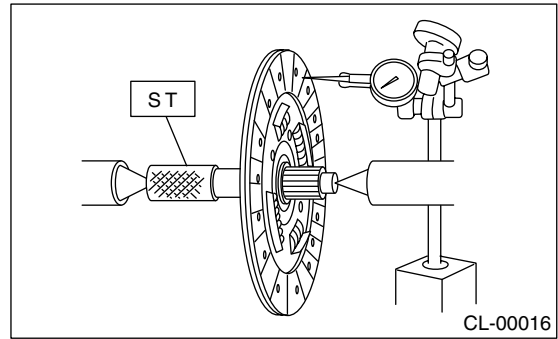
##### **Limit for deflection:**

##### **Except STi model**

**0.7 mm (0.028 in) at R = 110 mm (4.33 in)**

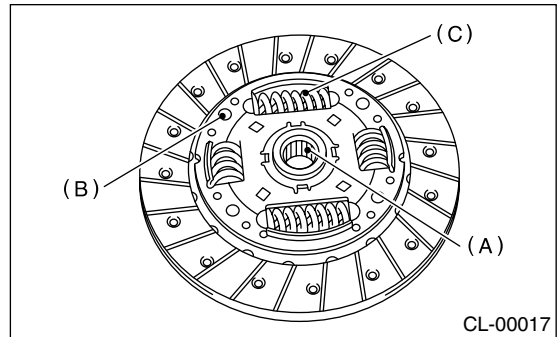
##### **STi model**

**0.7 mm (0.028 in) at R = 115 mm (4.53 in)**



##### 5) Worn spline, loose rivets and torsion spring failure

Replace defective parts.



(A) Spline

(B) Rivet

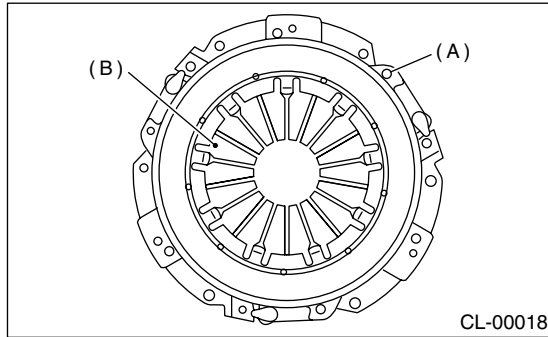
(C) Torsion spring

## 2. CLUTCH COVER

**NOTE:**

Visually check for the following items without disassembling, and replace or repair if defective.

- Loose thrust rivet
- Damaged or worn bearing contact area at center of diaphragm spring



- (A) Thrust rivet
- (B) Diaphragm spring