

4. Release Bearing and Lever

A: REMOVAL

1. NON-TURBO MODEL

1) Remove the transmission assembly from vehicle body.

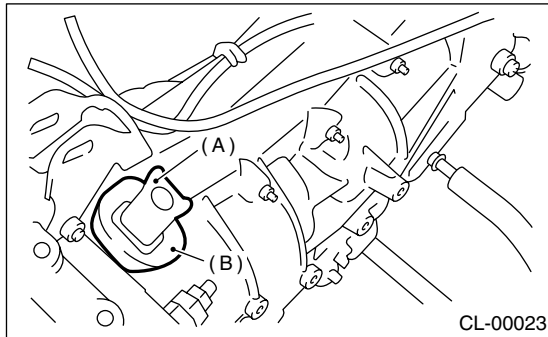
<Ref. to 5MT-26, REMOVAL, Manual Transmission Assembly.>

2) Remove the two clips from clutch release lever and remove the release bearing.

CAUTION:

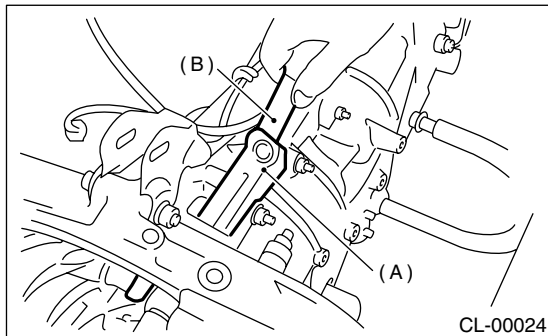
Be careful not to deform clips.

3) Remove the release lever seal.



(A) Clutch release lever
(B) Release lever seal

4) Remove the release lever retainer spring from release lever pivot with a screwdriver by accessing it through clutch housing release lever hole. Then remove the release lever.



(A) Clutch release lever
(B) Screwdriver

2. TURBO MODEL

1) Remove the transmission assembly from vehicle body.

5MT:

<Ref. to 5MT-26, REMOVAL, Manual Transmission Assembly.>

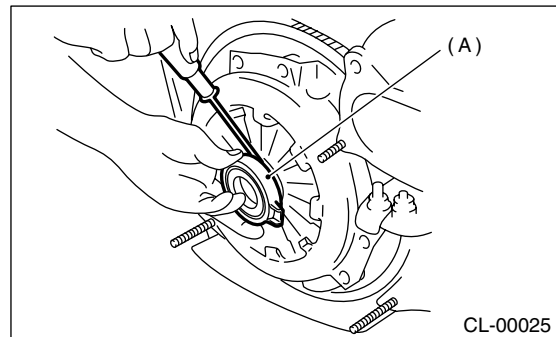
6MT:

<Ref. to 6MT-35, REMOVAL, Manual Transmission Assembly.>

2) Remove the clutch release lever from transmission.

3) Put the clutch release bearing in engine side.

4) Remove the clutch release bearing from the clutch cover using flat-type screwdriver.



(A) Clutch release bearing

RELEASE BEARING AND LEVER

CLUTCH SYSTEM

B: INSTALLATION

1. NON-TURBO MODEL

NOTE:

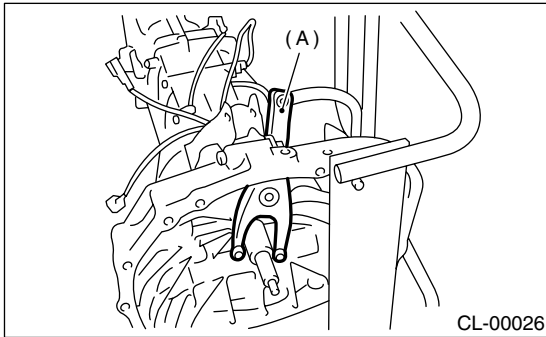
Before or during assembling, lubricate the following points with a light coat of grease.

- Contact surface of lever and pivot
- Contact surface of lever and bearing
- Transmission main shaft spline (Use grease containing molybdenum disulphide.)

1) While pushing the release lever to pivot and twisting it to both sides, fit the retainer spring onto the constricted portion of pivot.

NOTE:

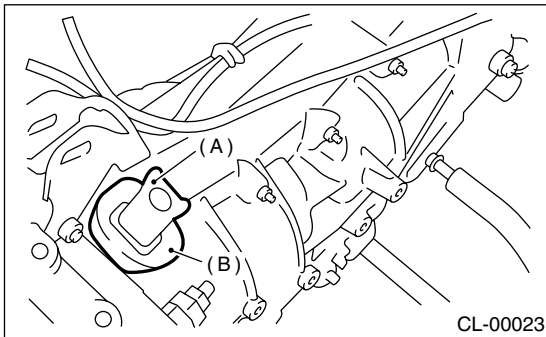
- Apply grease (SUNLIGHT 2: Part No. 003602010) to the contact point of release lever and operating cylinder.
- Confirm that the retainer spring is securely fitted by observing it through the main case hole.



(A) Release lever

2) Install the release bearing and fasten it with two clips.

3) Install the release lever seal.



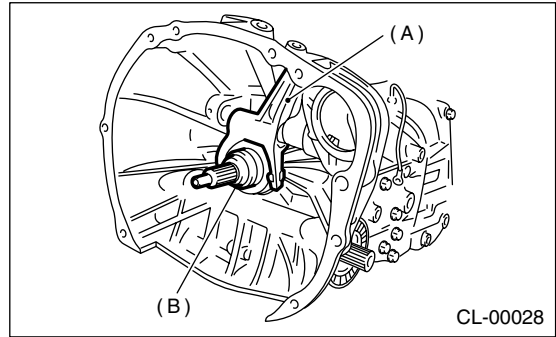
(A) Release lever
(B) Release lever seal

4) Install the transmission assembly.

<Ref. to 5MT-29, INSTALLATION, Manual Transmission Assembly.>

2. TURBO MODEL

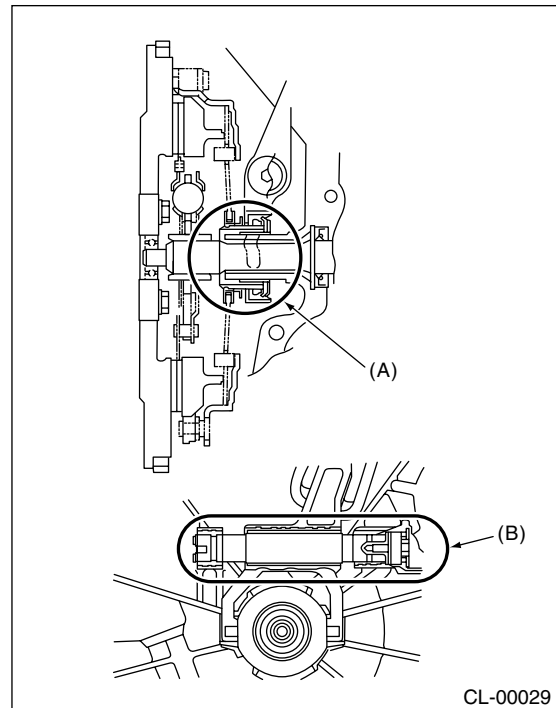
- 1) Install the release bearing on transmission.
- 2) Insert the release fork into release bearing tab.



(A) Release fork
(B) Release bearing

3) Apply grease to the specified points:

- Spline FX2200 (Part No. 000040901)
- Shaft SUNLIGHT 2 (Part No. 003602010)

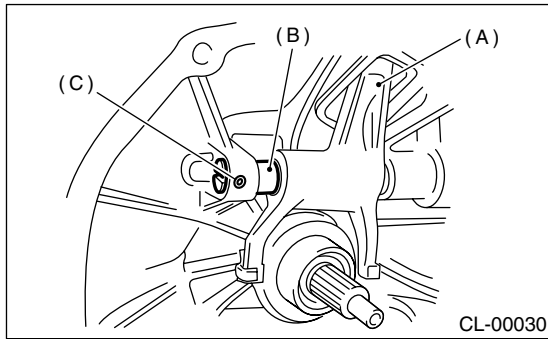


(A) Spline (FX2200)
(B) Shaft (SUNLIGHT 2)

4) Insert the release fork shaft into release fork.

NOTE:

Make sure the cutout portion of release fork shaft contacts spring pin.

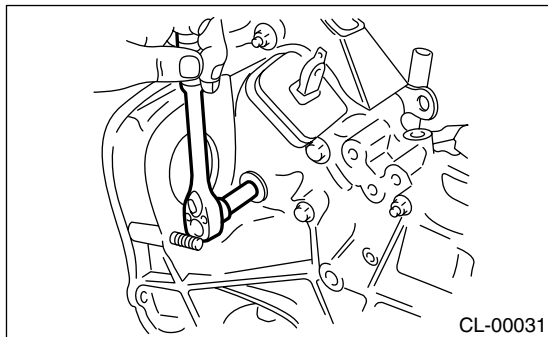


- (A) Release fork
- (B) Release shaft
- (C) Spring pin

5) Tighten the plug.

Tightening torque:

44 N·m (4.5 kgf·m, 32.5 ft·lb)



6) Install the transmission assembly.

5MT:

<Ref. to 5MT-29, INSTALLATION, Manual Transmission Assembly.>

6MT:

<Ref. to 6MT-37, INSTALLATION, Manual Transmission Assembly.>

C: INSPECTION

1. RELEASE BEARING

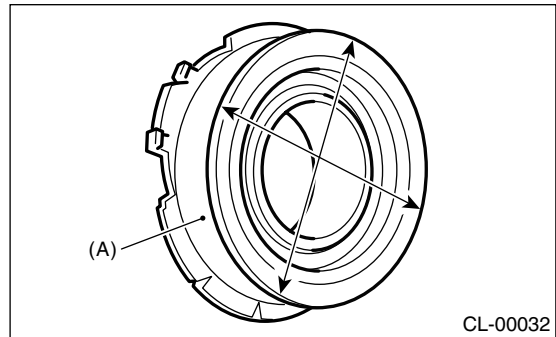
NOTE:

Since this bearing is grease sealed and is of a non-lubrication type, do not wash with gasoline or any solvent when servicing the clutch.

1) Check the bearing for smooth movement by applying force in the radial direction.

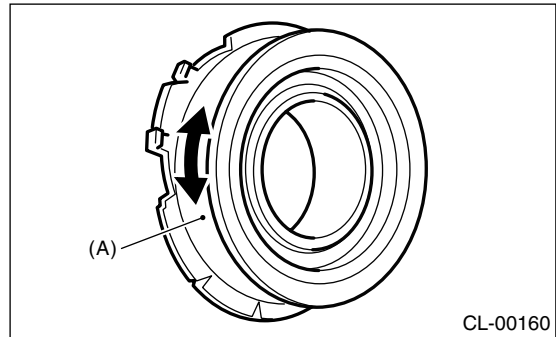
Radial direction stroke:

1.4 mm (0.055 in)



(A) Bearing case

2) Check the bearing for smooth rotation by applying pressure in the thrust direction.

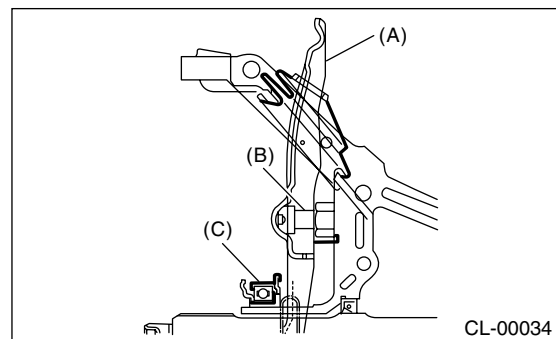


(A) Bearing case

3) Check wear and damage of the bearing case surface contacting with lever.

2. RELEASE LEVER

Check the lever pivot portion and the point of contact with release bearing case for wear.



- (A) Clutch release lever
- (B) Pivot
- (C) Clutch release bearing