

## 5. Operating Cylinder

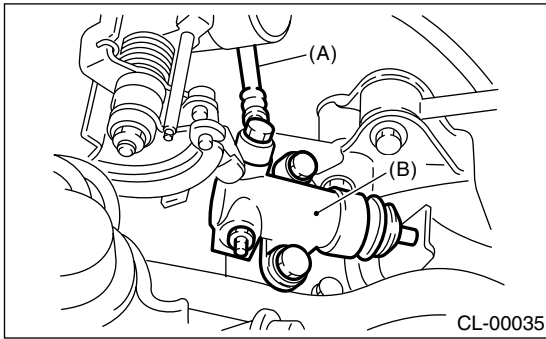
### A: REMOVAL

- 1) Remove the air cleaner case and air intake duct (Non-turbo model). <Ref. to IN(H4SO)-5, REMOVAL, Air Cleaner Case.> and <Ref. to IN(H4SO)-6, REMOVAL, Air Intake Duct.>
- 2) Remove the intercooler (Turbo model). <Ref. to IN(H4DOTC)-10, REMOVAL, Intercooler.>
- 3) Remove the clutch hose from operating cylinder.

**CAUTION:**

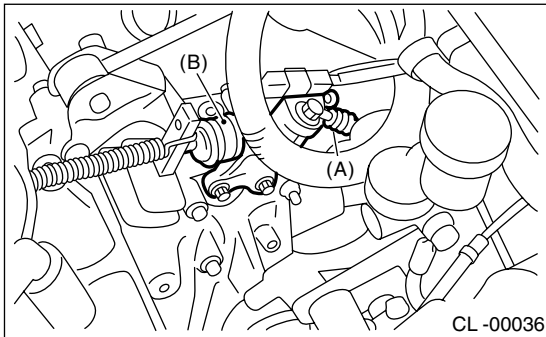
**Cover the hose joint to prevent clutch fluid from flowing out.**

- NON-TURBO MODEL



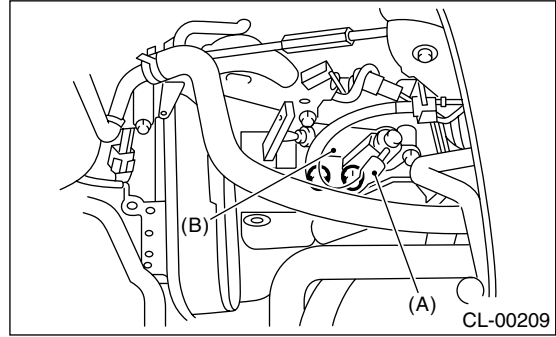
- (A) Clutch hose
- (B) Operating cylinder

- TURBO MODEL (5MT)



- (A) Clutch hose
- (B) Operating cylinder

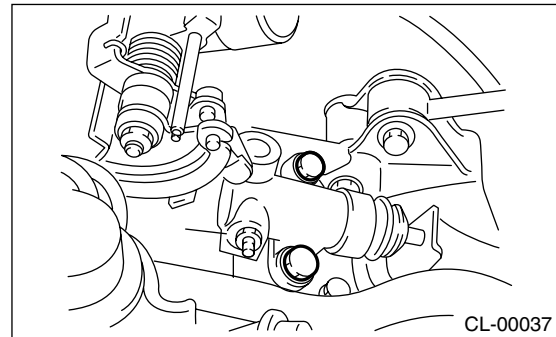
- TURBO MODEL (6MT)



- (A) Clutch hose
- (B) Operating cylinder

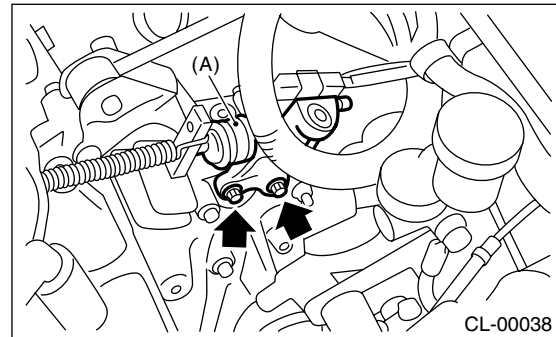
- 4) Remove the operating cylinder from transmission.

- NON-TURBO MODEL



CL-00037

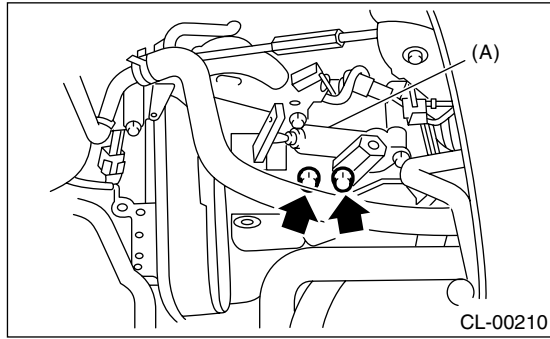
- TURBO MODEL (5MT)



CL-00038

- (A) Operating cylinder

- TURBO MODEL (6MT)



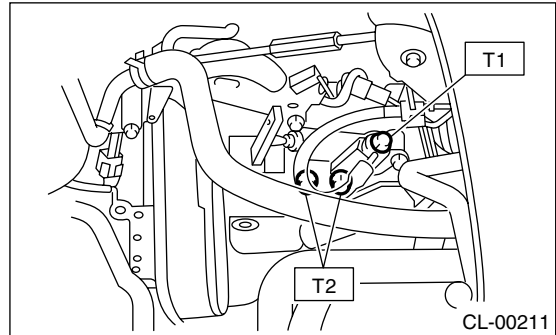
(A) Operating cylinder

- TURBO MODEL (6MT)

**Tightening torque:**

**T1: 18 N·m (1.8 kgf-m, 13.0 ft-lb)**

**T2: 41 N·m (4.2 kgf-m, 30.2 ft-lb)**



## B: INSTALLATION

1) Install in the reverse order of removal.

**NOTE:**

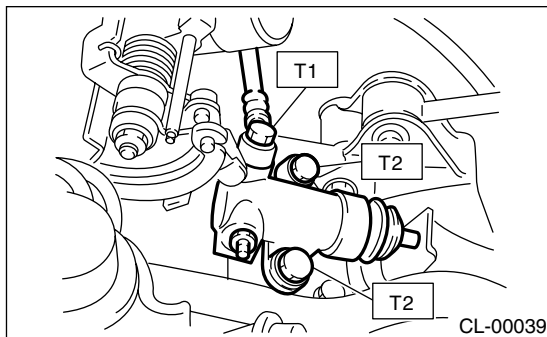
Before installing the operating cylinder, apply grease (SUNLIGHT 2: Part No. 003602010) to contact point of the release lever and operating cylinder.

- NON-TURBO MODEL

**Tightening torque:**

**T1: 18 N·m (1.8 kgf-m, 13.0 ft-lb)**

**T2: 37 N·m (3.8 kgf-m, 27.5 ft-lb)**

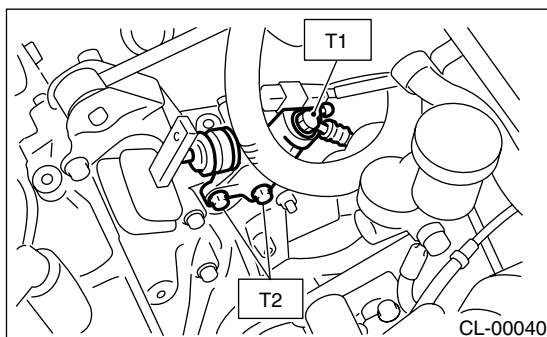


- TURBO MODEL (5MT)

**Tightening torque:**

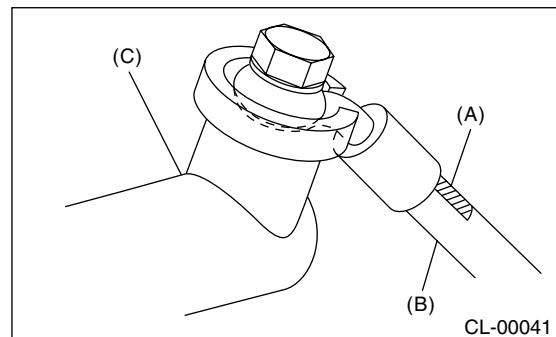
**T1: 18 N·m (1.8 kgf-m, 13.0 ft-lb)**

**T2: 37 N·m (3.8 kgf-m, 27.5 ft-lb)**



**NOTE:**

- Be sure to install the clutch hose with the mark side facing upward.
- Be careful not to twist the clutch hose during installation.



- (A) Marking
- (B) Clutch hose
- (C) Operating cylinder

2) After bleeding air from the operating cylinder, ensure that clutch operates properly.  
<Ref. to CL-24, Clutch Fluid Air Bleeding.>

## C: INSPECTION

- 1) Check the operating cylinder for damage. If operating cylinder is damaged, replace it.
- 2) Check the operating cylinder for fluid leakage or damage on boot. If any leakage or damage is found, replace the operating cylinder.