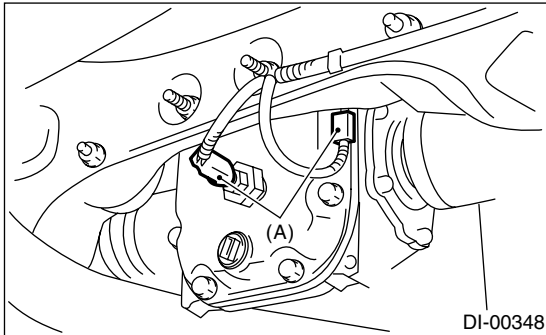


2. Differential Gear Oil

A: INSPECTION

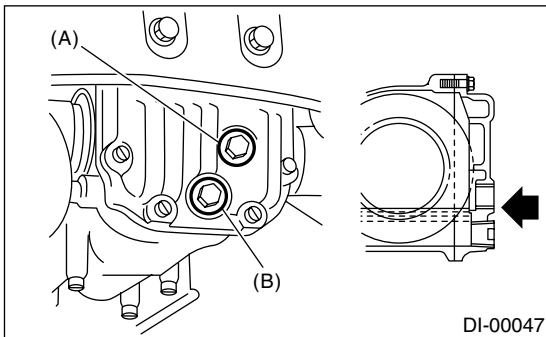
1) Disconnect the oil temperature switch connector. (STi model)



(A) Connector

2) Remove the filler plug or rear differential oil temperature switch and then check the gear oil. If it is contaminated or deteriorated, replace the gear oil. <Ref. to DI-19, REPLACEMENT, Differential Gear Oil.>

3) Check the gear oil level is up to the bottom part of filler bolt. If the level is low, refill up to the bottom of filler bolt.

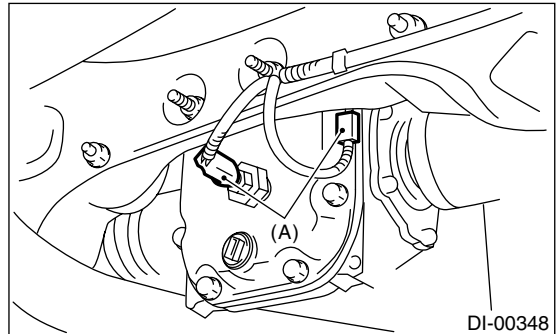


(A) Filler plug
(B) Drain plug

B: REPLACEMENT

1) Jack-up the vehicle and support it with sturdy racks.

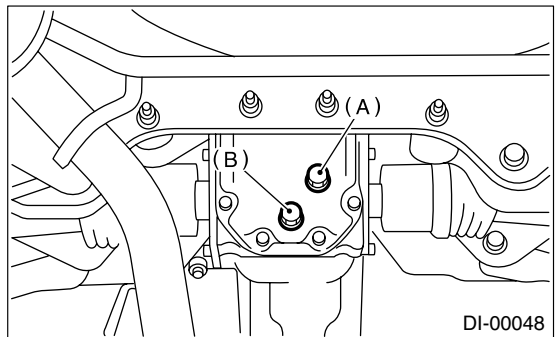
2) Disconnect the oil temperature switch connector. (STi model)



(A) Connector

3) Remove the oil drain plug and filler plug, and drain the gear oil.

CAUTION:
Be careful not to burn your hands, because gear oil becomes extremely hot after running.



(A) Filler plug
(B) Drain plug

4) Tighten the oil drain plug.

NOTE:
Apply fluid packing to the drain plug.

Fluid packing:
THREE BOND 1105 (Part No. 004403010) or equivalent

Tightening torque:
49 N·m (5.0 kgf·m, 36.2 ft·lb)

DIFFERENTIAL GEAR OIL

DIFFERENTIALS

5) Fill the differential carrier with gear oil to the upper plug level.

NOTE:

- Carefully refill oil while watching the level. Excess or insufficient oil must be avoided.
- Use gear oil for the mechanical LSD for STi model.

Recommended oil:

Except for STi model:

GL-5 (75W-90) or equivalent

STi model:

GEAR OIL LSD (Part No. K0904AA080) or equivalent

Oil capacity:

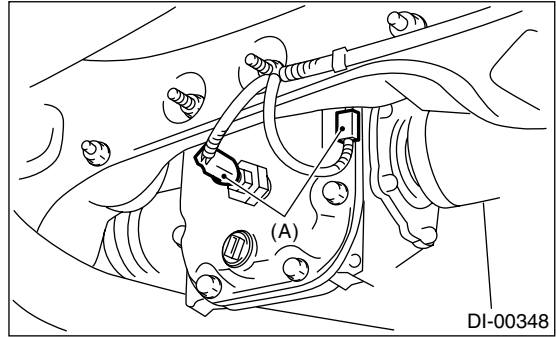
Except STi model:

0.8 ℓ (0.8 US qt, 0.7 Imp qt)

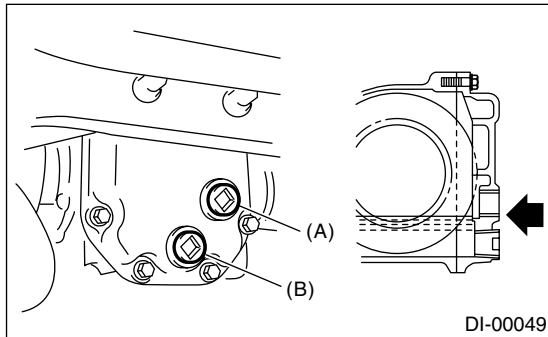
STi model:

0.9 — 1.1 ℓ (1.0 — 1.2 US qt, 0.8 — 1.0 Imp qt)

7) Connect the oil temperature switch connector. (STi model)



(A) Connector



(A) Filler plug
(B) Drain plug

6) Install the filler plug or rear differential oil temperature switch.

NOTE:

Apply fluid packing to the filler plug or rear differential oil temperature switch.

Fluid packing:

THREE BOND 1105 (Part No. 004403010) or equivalent

Tightening torque:

49 N·m (5.0 kgf·m, 36.2 ft·lb)