

# REAR DIFFERENTIAL SIDE OIL SEAL

## DIFFERENTIALS

### 6. Rear Differential Side Oil Seal

#### A: INSPECTION

Make sure that there is no oil leakage from side oil seal.

If there is any oil leakage, replace the oil seal.

#### B: REPLACEMENT

- 1) Disconnect the ground cable from battery.
- 2) Move the select lever or gear shift lever to "N".
- 3) Release the parking brake.
- 4) Loosen both wheel nuts.
- 5) Jack-up the vehicle and support it with rigid racks.
- 6) Remove the wheels.
- 7) Remove the rear exhaust pipe and muffler.

SOHC model

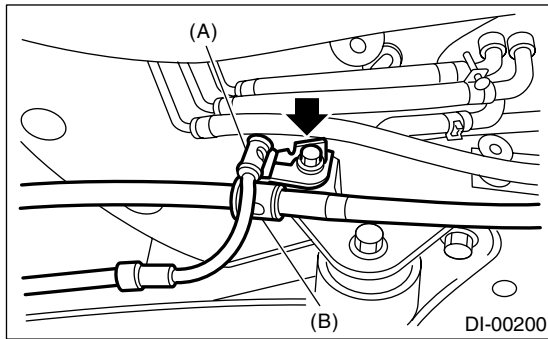
<Ref. to EX(H4SO)-8, REMOVAL, Rear Exhaust Pipe.> and <Ref. to EX(H4SO)-9, REMOVAL, Muffler.>

DOHC Turbo model

<Ref. to EX(H4DOTC)-13, REMOVAL, Rear Exhaust Pipe.> and <Ref. to EX(H4DOTC)-14, REMOVAL, Muffler.>

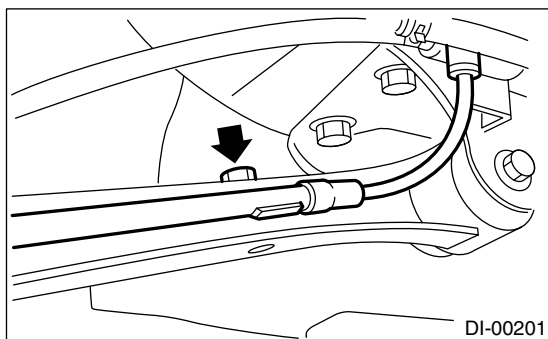
- 8) Remove the DOJ of rear drive shaft from rear differential.

- (1) Remove the ABS wheel speed sensor cable clamp and parking brake cable clamp from bracket.

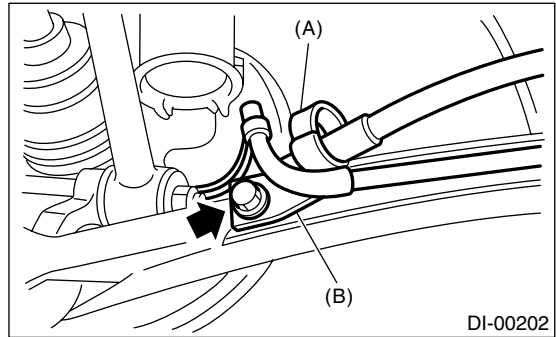


- (A) ABS wheel speed sensor cable clamp  
(B) Parking brake cable clamp

- (2) Remove the ABS wheel speed sensor cable clamp from trailing link.

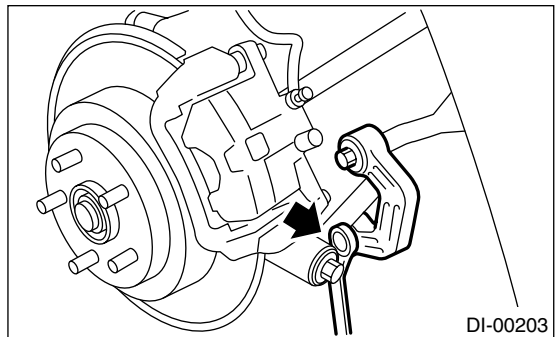


- (3) Remove the ABS wheel speed sensor cable clamp and parking brake cable guide from trailing link.

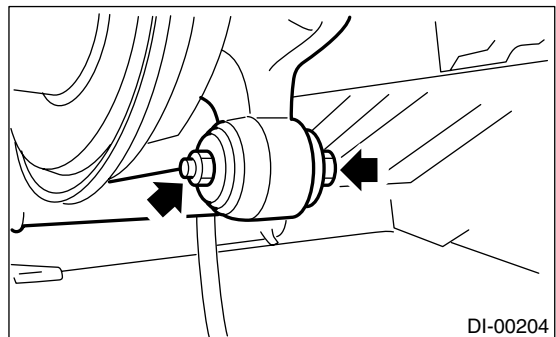


- (A) Parking brake cable guide  
(B) ABS wheel speed sensor cable clamp

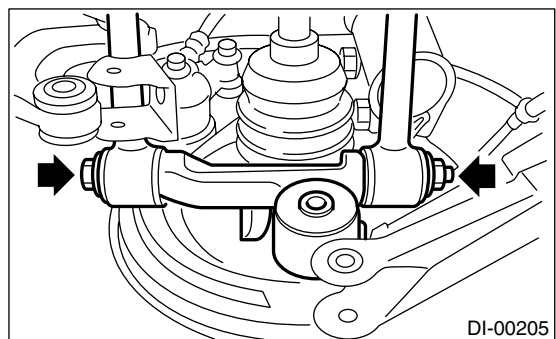
- (4) Remove the rear stabilizer link.



- (5) Remove the bolts which secure trailing link to housing.



- (6) Remove the bolts which secure the front and rear lateral link to rear housing.



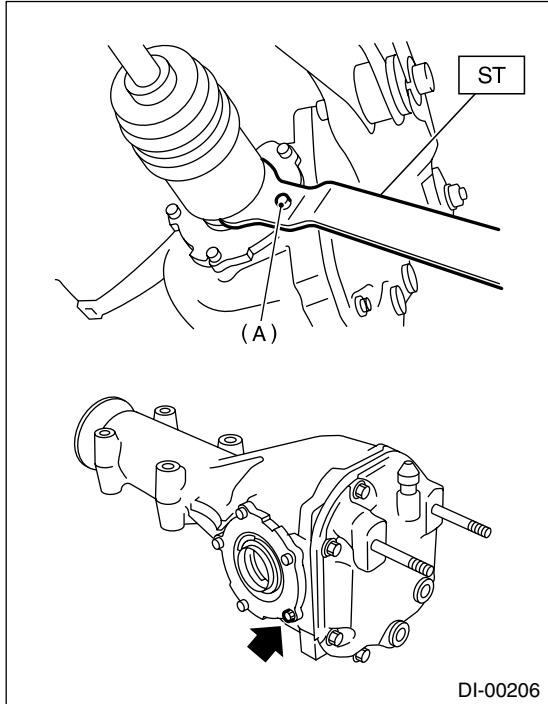
# REAR DIFFERENTIAL SIDE OIL SEAL

(7) Remove the DOJ from the rear differential by using ST.

**NOTE:**

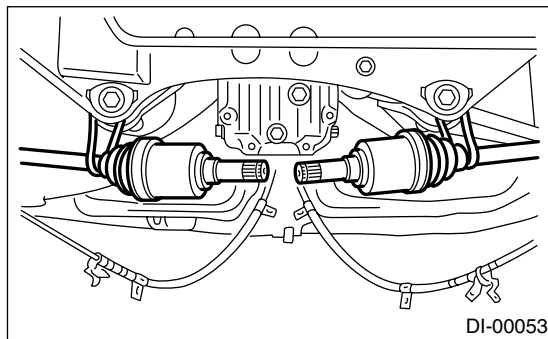
When removing the DOJ from rear differential, fit ST to the bolts as shown in the figure so as not to damage the side bearing retainer.

ST 208099PA100 DRIVE SHAFT REMOVER

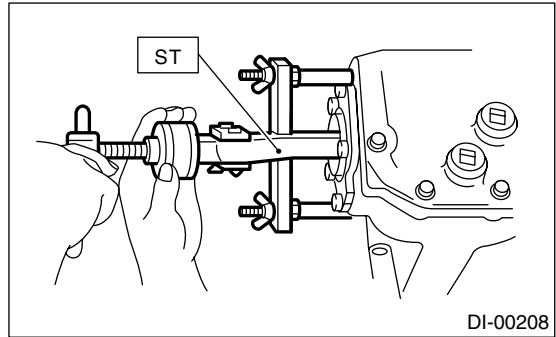


(A) Bolt

9) Suspend the rear drive shaft to the rear cross-member using wire.



10) Remove the oil seal using ST.  
ST 398527700 PULLER ASSY

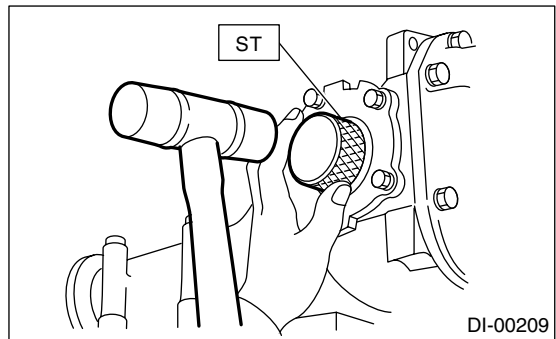


11) Drive in a new side oil seal using ST.

**NOTE:**

Apply chassis grease between the oil seal lips.

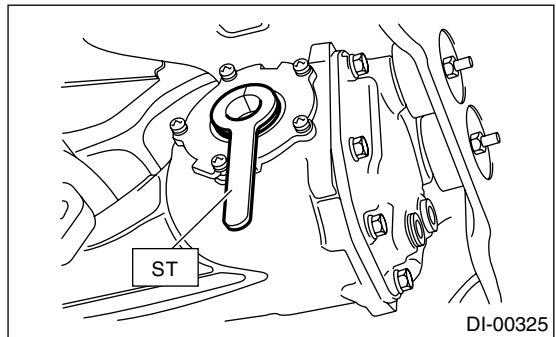
ST 398437700 DRIFT



12) Insert the DOJ into rear differential.

(1) Install the ST to rear differential.

ST 28099PA090 SIDE OIL SEAL PROTECTOR



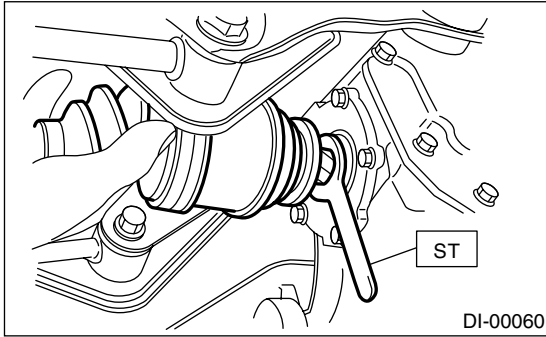
(2) Install the spline shaft until the spline portion is inside the side oil seal using ST.

## REAR DIFFERENTIAL SIDE OIL SEAL

### DIFFERENTIALS

---

ST 28099PA090 SIDE OIL SEAL PROTECTOR



(3) Remove the ST.

ST 28099PA090 SIDE OIL SEAL PROTECTOR

13) Hereafter, reassemble in the reverse order of disassembly.