

GENERAL DESCRIPTION

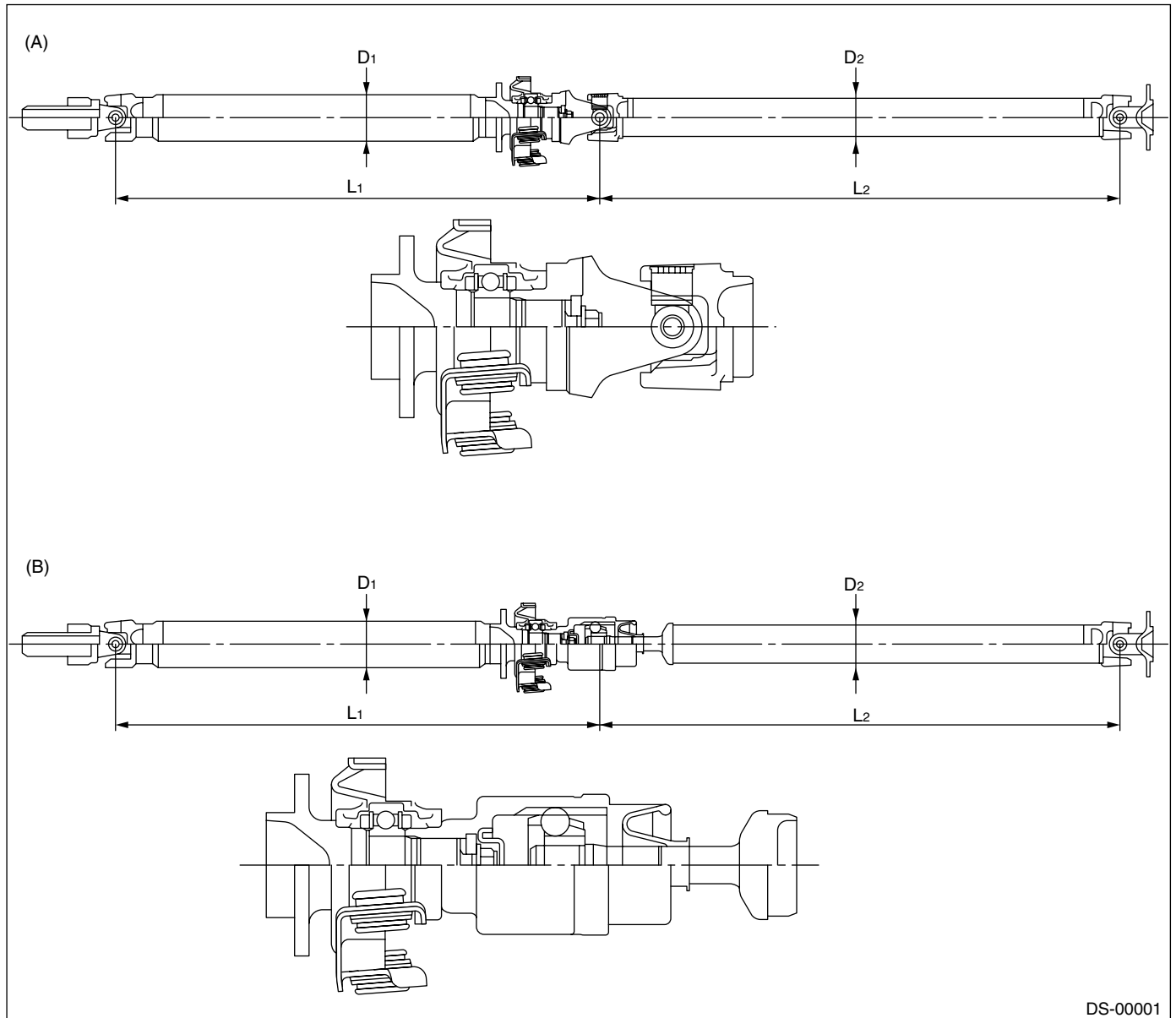
DRIVE SHAFT SYSTEM

1. General Description

A: SPECIFICATIONS

1. PROPELLER SHAFT

Model		Non-turbo	Turbo (except STi)	STi
Propeller shaft type		UJ	DOJ	UJ
Front propeller shaft Joint-to-joint length: L ₁ mm (in)	AT	584 (22.99)	579 (22.79)	—
	MT	643 (25.32)	638 (25.12)	574 (22.60)
Rear propeller shaft Joint-to-joint length: L ₂ mm (in)		708 (27.87)	713 (28.07)	706 (27.80)
Outer diameter of tube: mm (in)	D ₁	63.5 (2.500)		70 (2.756)
	D ₂	57.0 (2.244)		



DS-00001

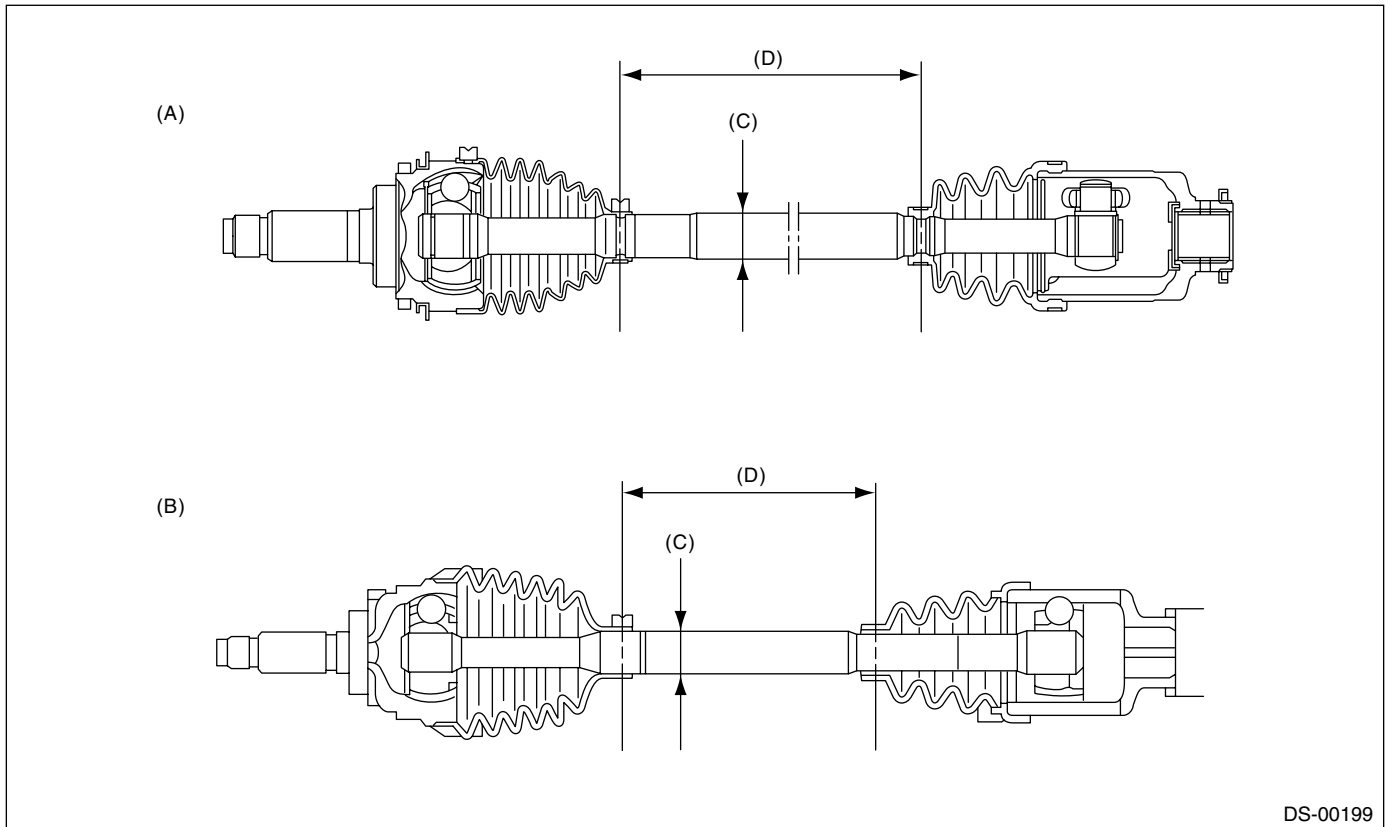
(A) UJ type

(B) DOJ type

GENERAL DESCRIPTION

2. FRONT DRIVE SHAFT ASSEMBLY

Model		Type of drive shaft	Axle diameter ϕ D (mm)	Axle length L (mm)
Sedan	Non-turbo, Turbo AT	EBJ87+SFJ82	26 (1.02)	325
	Turbo MT (except STi)	EBJ87+SFJ82	28 (1.10)	325
	Turbo MT (STi)	BJ92+DOJ87	28 (1.10)	250
Wagon	Non-turbo, Turbo AT	EBJ87+SFJ82	26 (1.02)	314
	Turbo MT	EBJ87+SFJ82	28 (1.10)	314



DS-00199

(A) EBJ87+SFJ82
(B) BJ92+DOJ87

(C) Axle diameter

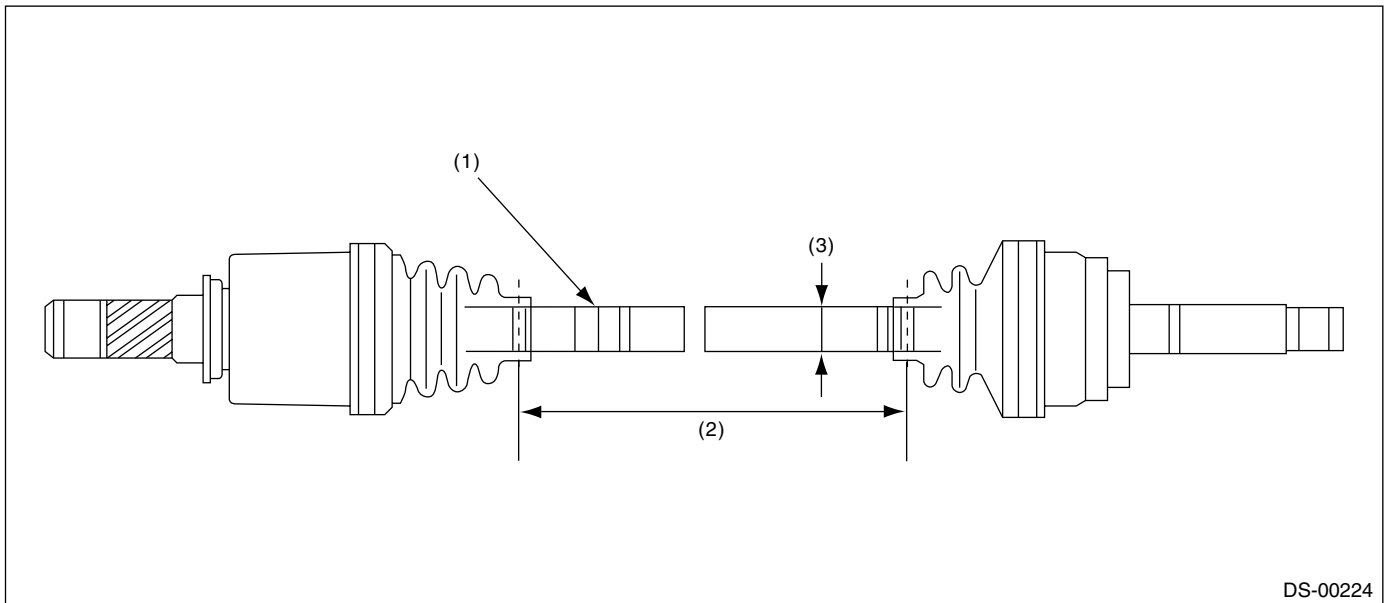
(D) Axle length

GENERAL DESCRIPTION

DRIVE SHAFT SYSTEM

3. REAR DRIVE SHAFT ASSEMBLY

Type of drive shaft assembly	Model	No. of identification protrusion on shaft	Axle length (mm)	Axle diameter (mm)
EBJ82+DOJ82 RH	Sedan turbo	2 (Two)	363	24
EBJ82+DOJ82 LH		1 (One)	353	24
BJ79+DOJ79 RH	Sedan Non-turbo	2 (Two)	368	23
BJ79+DOJ79 LH		1 (One)	358	23
EBJ82+DOJ82 RH	Wagon turbo	2 (Two)	353	24
EBJ82+DOJ82 LH		1 (One)	343	24
BJ79+DOJ79 RH	Wagon Non-turbo	2 (Two)	358	23
BJ79+DOJ79 LH		1 (One)	348	23
BJ87+DOJ87	STi	1 (One)	295.2	25



DS-00224

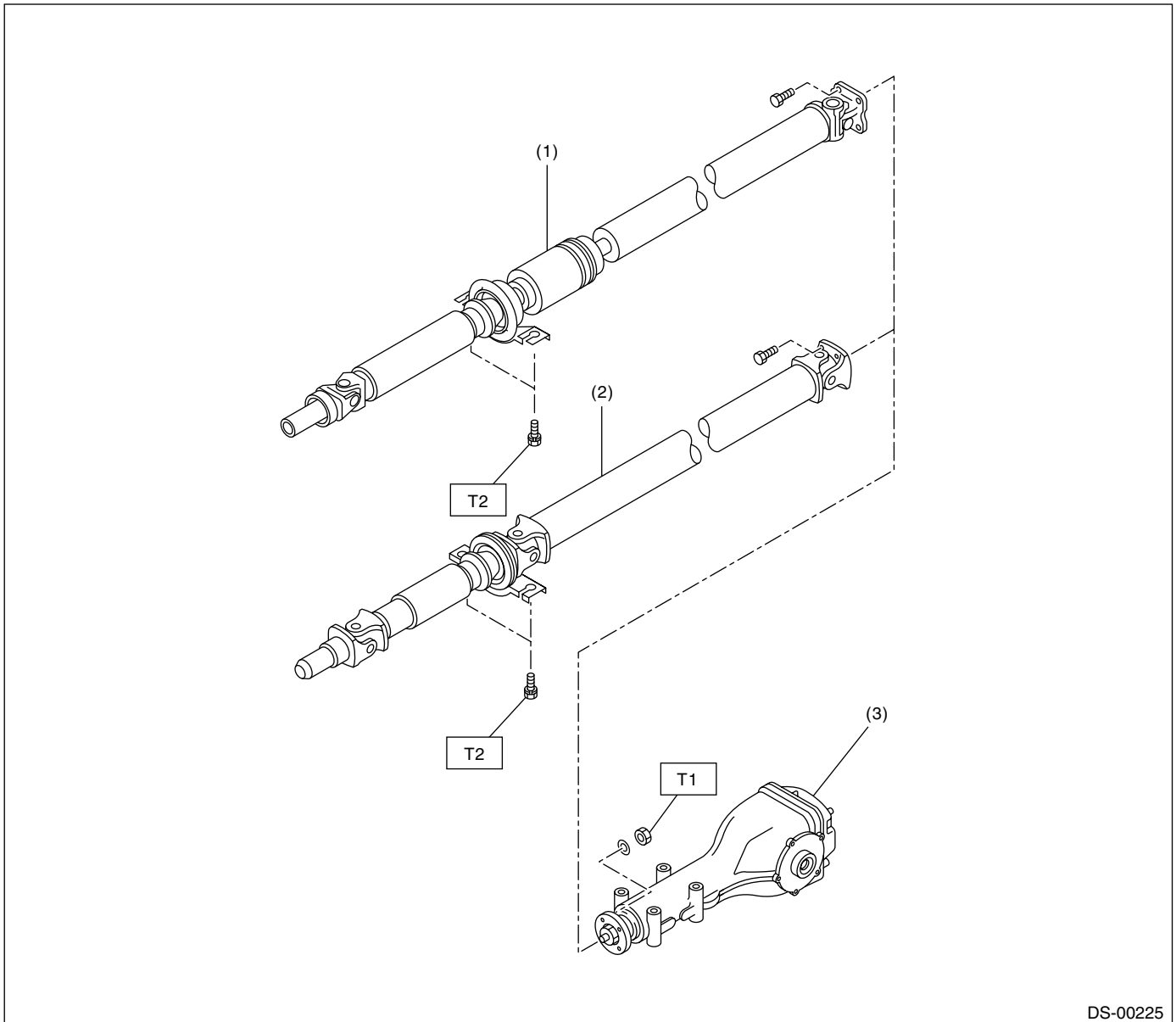
(1) Identification protrusion

(2) Axle length

(3) Axle diameter

B: COMPONENT

1. PROPELLER SHAFT



DS-00225

(1) Propeller shaft (DOJ type)

(2) Propeller shaft (UJ type)

(3) Rear differential

Tightening torque: N·m (kgf·m, ft·lb)

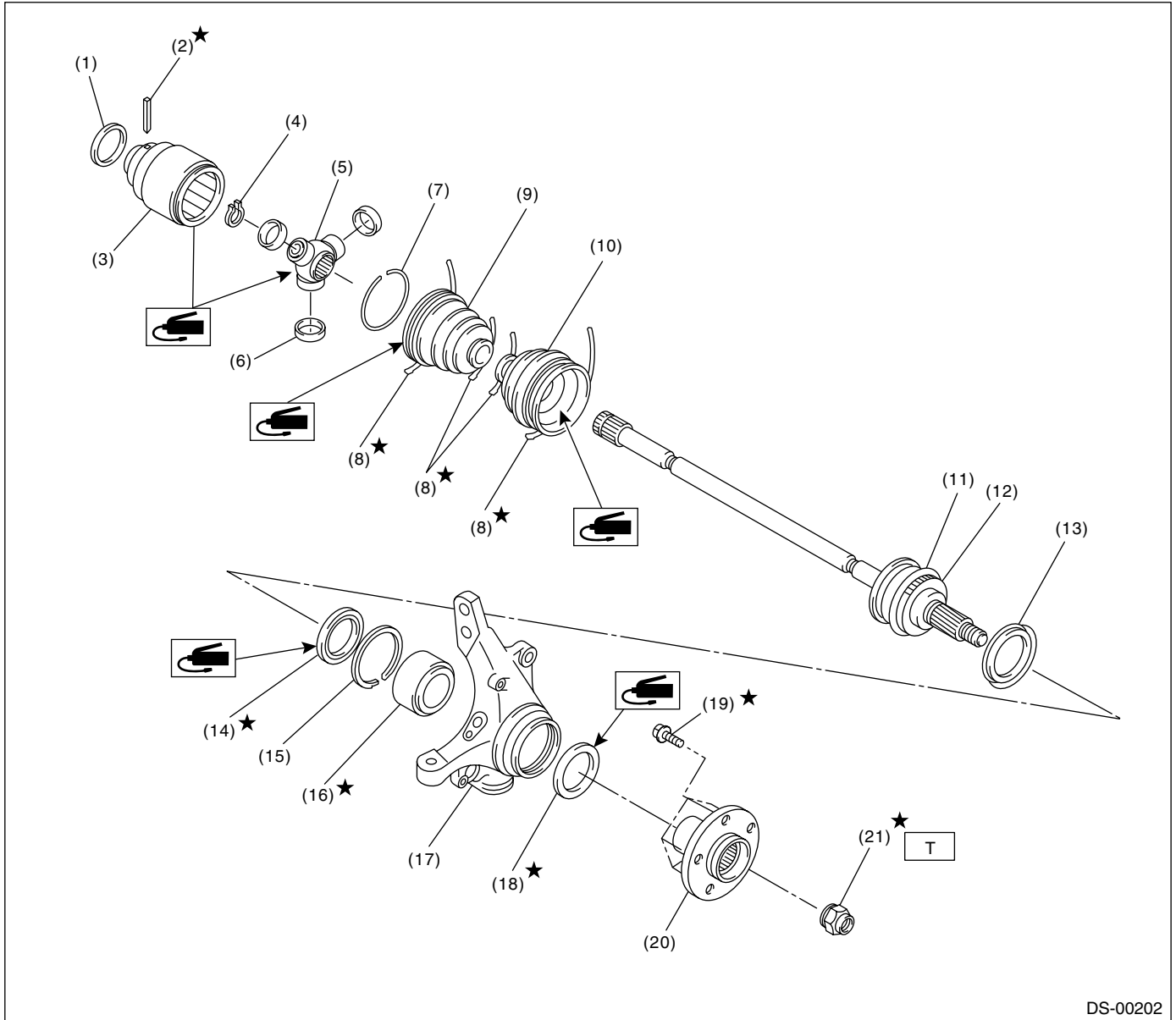
T1: 38 (3.9, 28.3)

T2: 52 (5.3, 38.3)

GENERAL DESCRIPTION

DRIVE SHAFT SYSTEM

2. FRONT AXLE



DS-00202

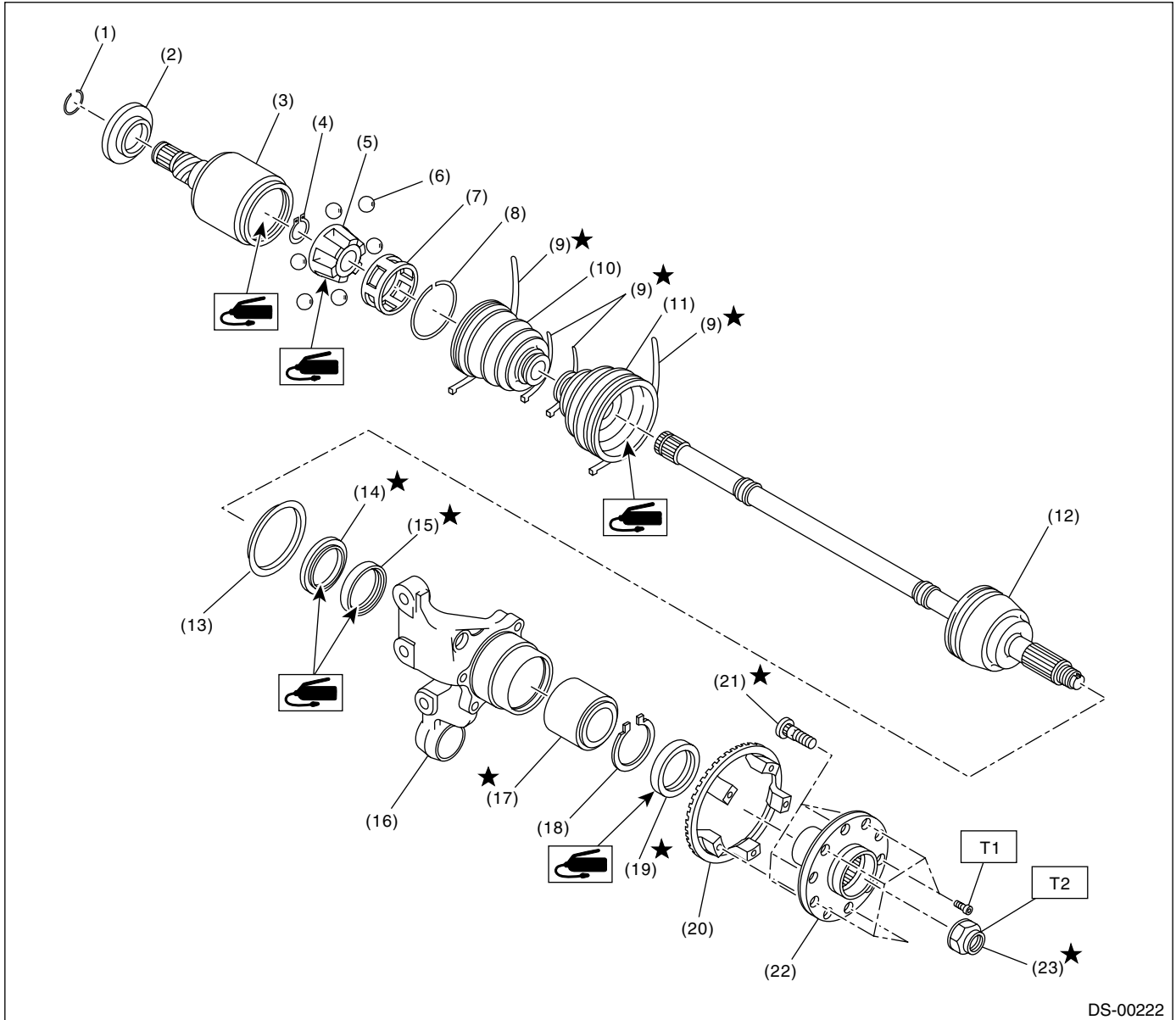
- (1) Baffle plate (SFJ)
- (2) Spring pin
- (3) Outer race (SFJ)
- (4) Snap ring
- (5) Trunnion
- (6) Free ring
- (7) Circlip
- (8) Boot band

- (9) Boot (SFJ)
- (10) Boot (EBJ)
- (11) EBJ ASSY
- (12) Tone wheel
- (13) Baffle plate
- (14) Oil seal (IN)
- (15) Snap ring
- (16) Bearing
- (17) Housing
- (18) Oil seal (OUT)
- (19) Hub bolt
- (20) Hub
- (21) Axle nut

- (17) Housing
- (18) Oil seal (OUT)
- (19) Hub bolt
- (20) Hub
- (21) Axle nut

Tightening torque: N-m (kgf-m, ft-lb)
T: 220 (22.4, 162)

3. REAR AXLE



- (1) Circlip
- (2) Baffle plate (DOJ)
- (3) Outer race (DOJ)
- (4) Snap ring
- (5) Inner race
- (6) Ball
- (7) Cage
- (8) Circlip
- (9) Boot band
- (10) Boot (DOJ)

- (11) Boot
- (12) Non-turbo: BJ ASSY
Turbo: EBJ ASSY
- (13) Baffle plate
- (14) Oil seal (IN. No. 2)
- (15) Oil seal (IN.)
- (16) Housing
- (17) Bearing
- (18) Snap ring
- (19) Oil seal (OUT)

- (20) Tone wheel
- (21) Hub bolt
- (22) Hub
- (23) Axle nut

Tightening torque: N-m (kgf-m, ft-lb)

T1: 13 (1.3, 9.4)

T2: 190 (19.4, 140)

GENERAL DESCRIPTION

DRIVE SHAFT SYSTEM

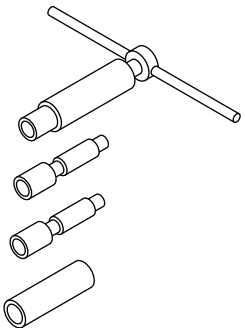
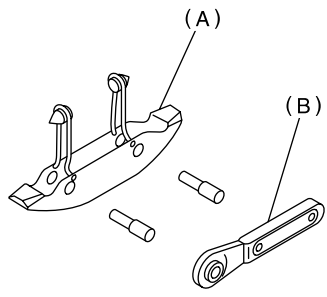
C: CAUTION

- Wear working clothing, including a cap, protective goggles, and protective shoes during operation.
- Remove contamination including dirt and corrosion before removal, installation or disassembly.
- Keep the disassembled parts in order and protect them from dust or dirt.
- Before removal, installation or disassembly, be sure to clarify the failure. Avoid unnecessary removal, installation, disassembly, and replacement.
- Be careful not to burn your hands, because each part on the vehicle is hot after running.

- Use SUBARU genuine grease etc. or the equivalent. Do not mix grease etc. with that of another grade or from other manufacturers.
- Be sure to tighten fasteners including bolts and nuts to the specified torque.
- Place shop jacks or safety stands at the specified points.
- Apply grease onto sliding or revolution surfaces before installation.
- Before installing snap rings, apply sufficient amount of grease to avoid damage and deformation.
- Before securing a part on a vise, place cushioning material such as wood blocks, aluminum plate, or shop cloth between the part and the vise.

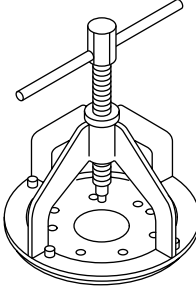
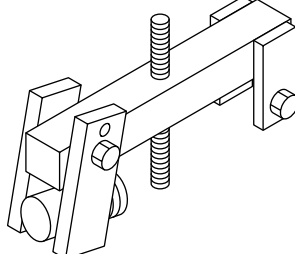
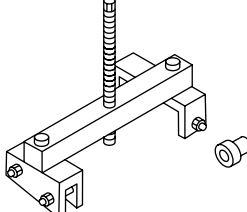
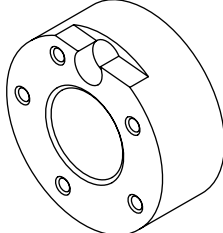
D: PREPARATION TOOL

1. SPECIAL TOOLS

ILLUSTRATION	TOOL NUMBER	DESCRIPTION	REMARKS
 <p>ST-922431000</p>	922431000	AXLE SHAFT INSTALLER	<ul style="list-style-type: none"> • Used for installing axle shaft into housing. • Used with ADAPTER (927390000).
 <p>ST-925091000</p>	925091000	BAND TIGHTENING TOOL	Used for tightening boot band. (A) Jig for band (B) Ratchet wrench

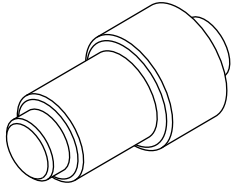
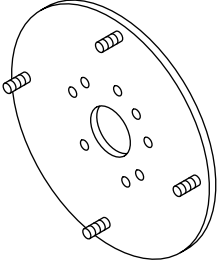
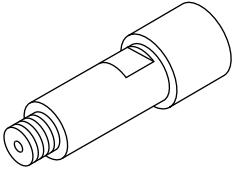
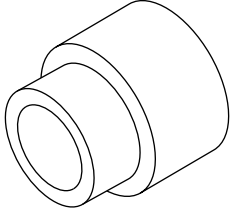
GENERAL DESCRIPTION

DRIVE SHAFT SYSTEM

ILLUSTRATION	TOOL NUMBER	DESCRIPTION	REMARKS
 <p style="text-align: center;">ST-926470000</p>	926470000	AXLE SHAFT PULLER	Used for removing axle shaft.
 <p style="text-align: center;">ST-927060000</p>	927060000	HUB REMOVER	<ul style="list-style-type: none"> • Used for removing front hub. • Used with HUB STAND (927080000).
 <p style="text-align: center;">ST-927420000</p>	927420000	HUB REMOVER	<ul style="list-style-type: none"> • Used for removing rear hub. • Used with HUB STAND (927080000).
 <p style="text-align: center;">ST-927080000</p>	927080000	HUB STAND	Used for disassembling and assembling hub bolt in hub.

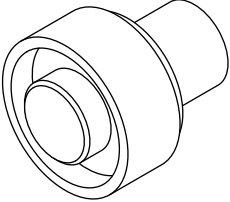
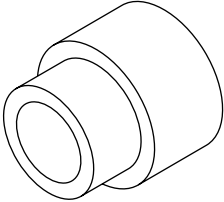
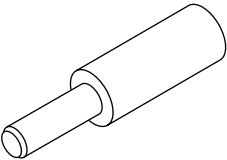
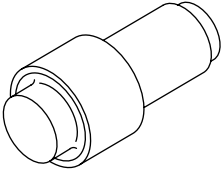
GENERAL DESCRIPTION

DRIVE SHAFT SYSTEM

ILLUSTRATION	TOOL NUMBER	DESCRIPTION	REMARKS
 <p style="text-align: center;">ST-927100000</p>	927100000	BEARING PULLER	<ul style="list-style-type: none"> • Used for disassembling and assembling front housing bearing. • Used with HOUSING STAND (927400000).
 <p style="text-align: center;">ST-927140000</p>	927140000	AXLE SHAFT PULLER PLATE	Same as plate 2 included in AXLE SHAFT PULLER (926470000).
 <p style="text-align: center;">ST-927390000</p>	927390000	ADAPTER	Used as an adapter for AXLE SHAFT INSTALLER (922431000).
 <p style="text-align: center;">ST-927400000</p>	927400000	HOUSING STAND	<ul style="list-style-type: none"> • Used for disassembling and assembling front housing bearing. • Used with BEARING PULLER (927100000).

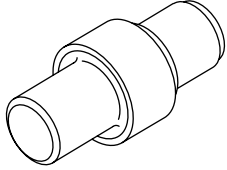
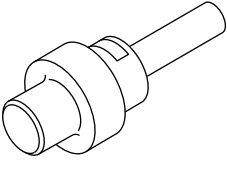
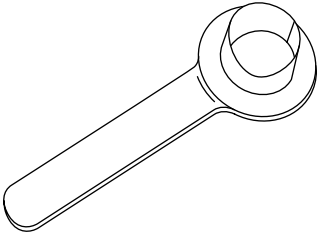
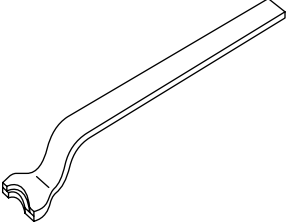
GENERAL DESCRIPTION

DRIVE SHAFT SYSTEM

ILLUSTRATION	TOOL NUMBER	DESCRIPTION	REMARKS
 <p style="text-align: center;">ST-927410000</p>	<p style="text-align: center;">927410000</p>	<p>OIL SEAL INSTALLER</p>	<ul style="list-style-type: none"> • Used for installing oil seal into front housing. • Used with HOUSING STAND (927400000).
 <p style="text-align: center;">ST-927430000</p>	<p style="text-align: center;">927430000</p>	<p>HOUSING STAND</p>	<ul style="list-style-type: none"> • Used for disassembling and assembling rear housing bearing. • Used with BEARING PULLER (927440000).
 <p style="text-align: center;">ST-927120000</p>	<p style="text-align: center;">927120000</p>	<p>HUB INSTALLER</p>	<p>Used for installing hub.</p>
 <p style="text-align: center;">ST-927440000</p>	<p style="text-align: center;">927440000</p>	<p>BEARING REMOVER</p>	<ul style="list-style-type: none"> • Used for disassembling and assembling rear wheel bearing. • Used with HOUSING STAND (927430000).

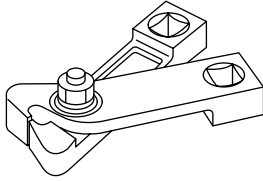
GENERAL DESCRIPTION

DRIVE SHAFT SYSTEM

ILLUSTRATION	TOOL NUMBER	DESCRIPTION	REMARKS
 <p style="text-align: center;">ST-927460000</p>	<p style="text-align: center;">927460000</p>	<p>OIL SEAL INSTALLER</p>	<ul style="list-style-type: none"> • Used for installing outer oil seal. • Used with HOUSING STAND (927430000).
 <p style="text-align: center;">ST-927450000</p>	<p style="text-align: center;">927450000</p>	<p>HUB INSTALLER</p>	<ul style="list-style-type: none"> • Used for pressing hub bearing into hub. • Used with HUB STAND (927080000).
 <p style="text-align: center;">ST28099PA090</p>	<p style="text-align: center;">28099PA090</p>	<p>OIL SEAL PROTECTOR</p>	<ul style="list-style-type: none"> • Used for installing rear drive shaft into rear differential. • For protecting oil seal.
 <p style="text-align: center;">ST28099PA100</p>	<p style="text-align: center;">28099PA100</p>	<p>DRIVE SHAFT REMOVER</p>	<p>Used for removing rear drive shaft from rear differential.</p>

GENERAL DESCRIPTION

DRIVE SHAFT SYSTEM

ILLUSTRATION	TOOL NUMBER	DESCRIPTION	REMARKS
 <p>ST28099AC000</p>	28099AC000	BOOT BAND PLIERS	Used for tightening front BJ boot band.

2. GENERAL PURPOSE TOOLS

TOOL NAME	REMERKS
Puller	Used for removing ball joint from knuckle arm.
Dial gauge	Used for inspecting propeller shaft run-out.
Snap ring pliers	Used for installing and removing snap ring.