

# GENERAL DESCRIPTION

ABS

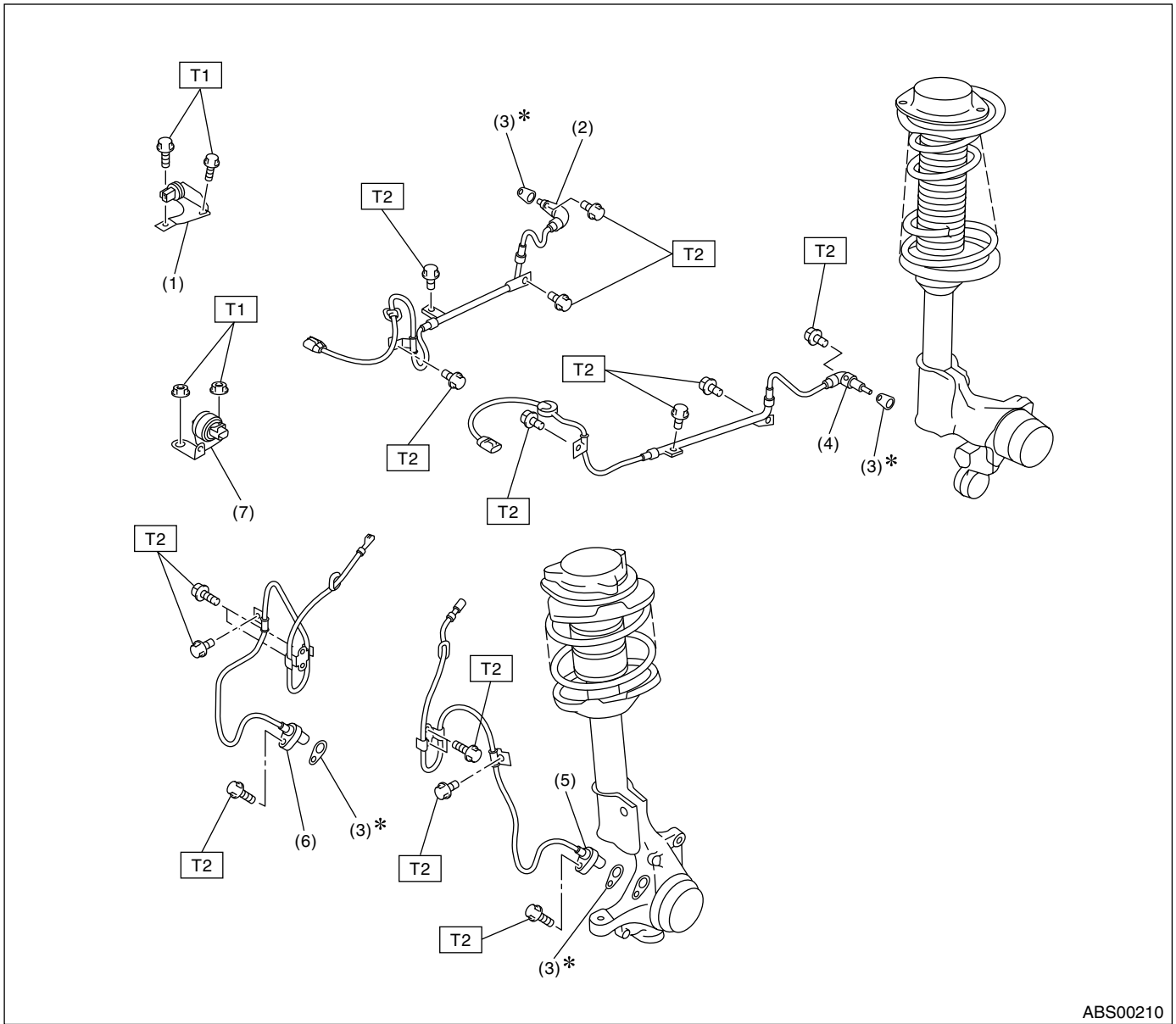
## 1. General Description

### A: SPECIFICATIONS

Item			Specification or remarks	
ABS wheel speed sensor	ABS wheel speed sensor gap	Front	0.3 — 0.8 mm (0.012 — 0.031 in)	
		Rear	0.7 — 1.2 mm (0.028 — 0.047 in)	
	ABS wheel speed sensor resistance	Front	1.25±0.25 kΩ	
		Rear	1.15±0.115 kΩ	
	Marks of harness	Front	RH	White
			LH	Yellow
Rear		RH	Light blue	
		LH	Brown	
G sensor	G sensor voltage		2.3±0.2 V	
Lateral G sensor (STi model)	Lateral G sensor voltage		2.5±0.2 V	
ABSCM&H/U marks	AT model		CU	
	MT model (Except Sedan STi model)		CV	
	MT model (Sedan STi model)		CY	

## B: COMPONENT

### 1. SENSOR



ABS00210

- |  |  |
|--|--|
| <ul style="list-style-type: none"> <li>(1) G sensor</li> <li>(2) Rear ABS wheel speed sensor RH</li> <li>(3) Adjusting spacer</li> <li>(4) Rear ABS wheel speed sensor LH</li> </ul> | <ul style="list-style-type: none"> <li>(5) Front ABS wheel speed sensor LH</li> <li>(6) Front ABS wheel speed sensor RH</li> <li>(7) Lateral G sensor (STi model)</li> </ul> |
|--|--|

---

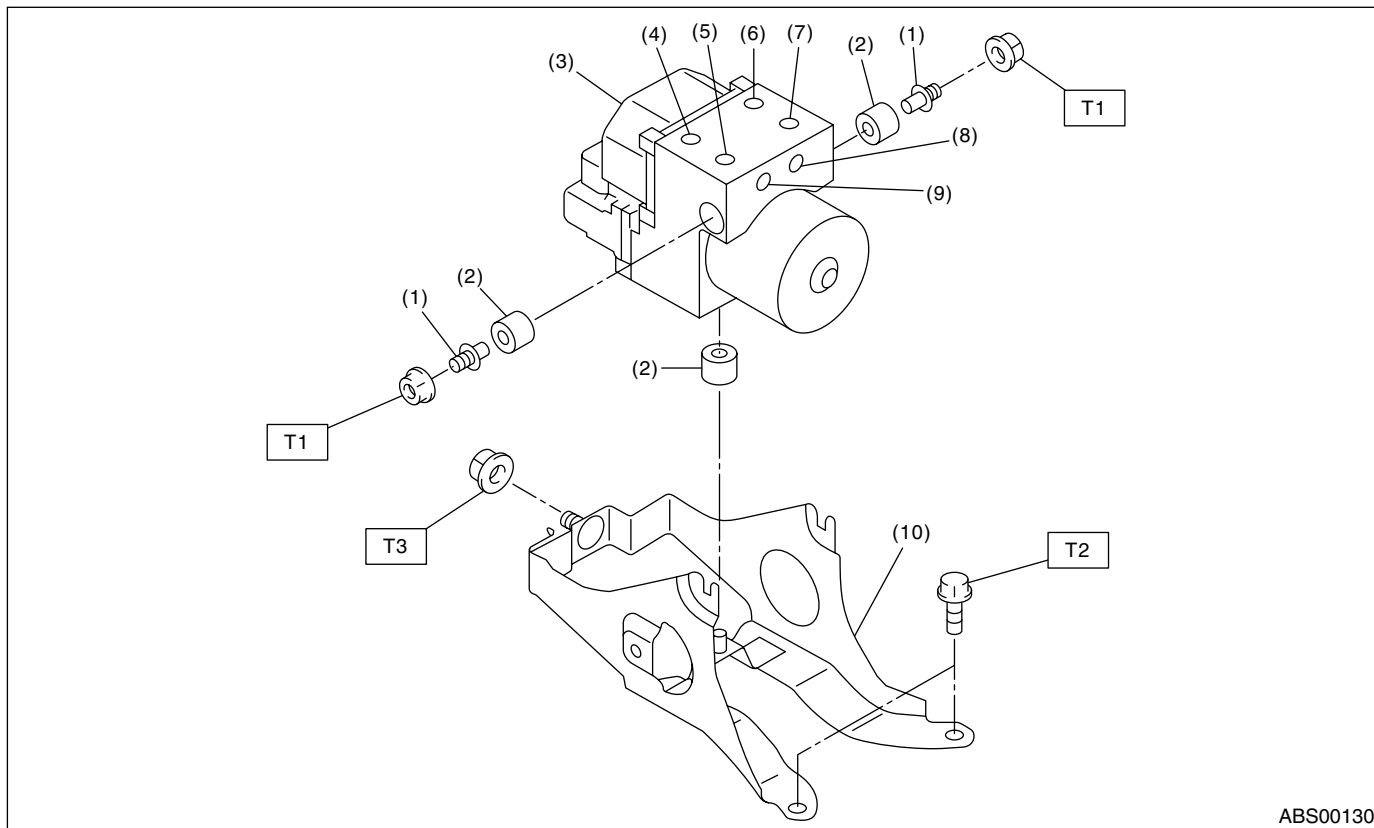
**Tightening torque: N·m (kgf·m, ft·lb)**  
**T1: 18 (1.8, 13.0)**  
**T2: 33 (3.3, 24)**

---

# GENERAL DESCRIPTION

ABS

## 2. ABS CONTROL MODULE AND HYDRAULIC CONTROL UNIT (ABSCM&H/U)



ABS00130

- |   |                     |
|---|---------------------|
| (1) Stud bolt   | (6) Front-RH outlet |
| (2) Damper  | (7) Primary inlet   |
| (3) ABS control module and hydraulic control unit (ABSCM&H/U) | (8) Rear-LH outlet  |
| (4) Front-LH outlet   | (9) Rear-RH outlet  |
| (5) Secondary inlet   | (10) Bracket        |

**Tightening torque: N·m (kgf·m, ft·lb)**

**T1: 18 (1.8, 13.0)**

**T2: 33 (3.3, 24)**

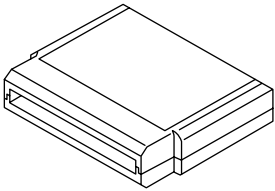

**T3: 38 (3.8, 27.5)**

### C: CAUTION

- Before disconnecting electrical connectors of sensors or units, be sure to disconnect the ground cable from battery.
- Wear working clothing, including a cap, protective goggles, and protective shoes during operation.
- Before removal, installation or disassembly, be sure to clarify the failure. Avoid unnecessary removal, installation, disassembly, and replacement.
- Be careful not to burn your hands, because each part in the vehicle is hot after running.
- Be sure to tighten fasteners including bolts and nuts to the specified torque.
- Place shop jacks or safety stands at the specified points.

## D: PREPARATION TOOL

### 1. SPECIAL TOOLS

ILLUSTRATION	TOOL NUMBER	DESCRIPTION	REMARKS
  ST24082AA230	24082AA230	CARTRIDGE	Troubleshooting for electrical systems.
  ST22771AA030	22771AA030	SUBARU SELECT MONITOR KIT	Troubleshooting for electrical systems. <ul style="list-style-type: none"> <li>• English: 22771AA030 (Without printer)</li> <li>• German: 22771AA070 (Without printer)</li> <li>• French: 22771AA080 (Without printer)</li> <li>• Spanish: 22771AA090 (Without printer)</li> </ul>

### 2. GENERAL PURPOSE TOOLS

TOOL NAME	REMARKS
Circuit tester	Used for measuring resistance, voltage and ampere.
Pressure gauge	Used for measuring oil pressure.
Oscilloscope	Used for measuring sensor.