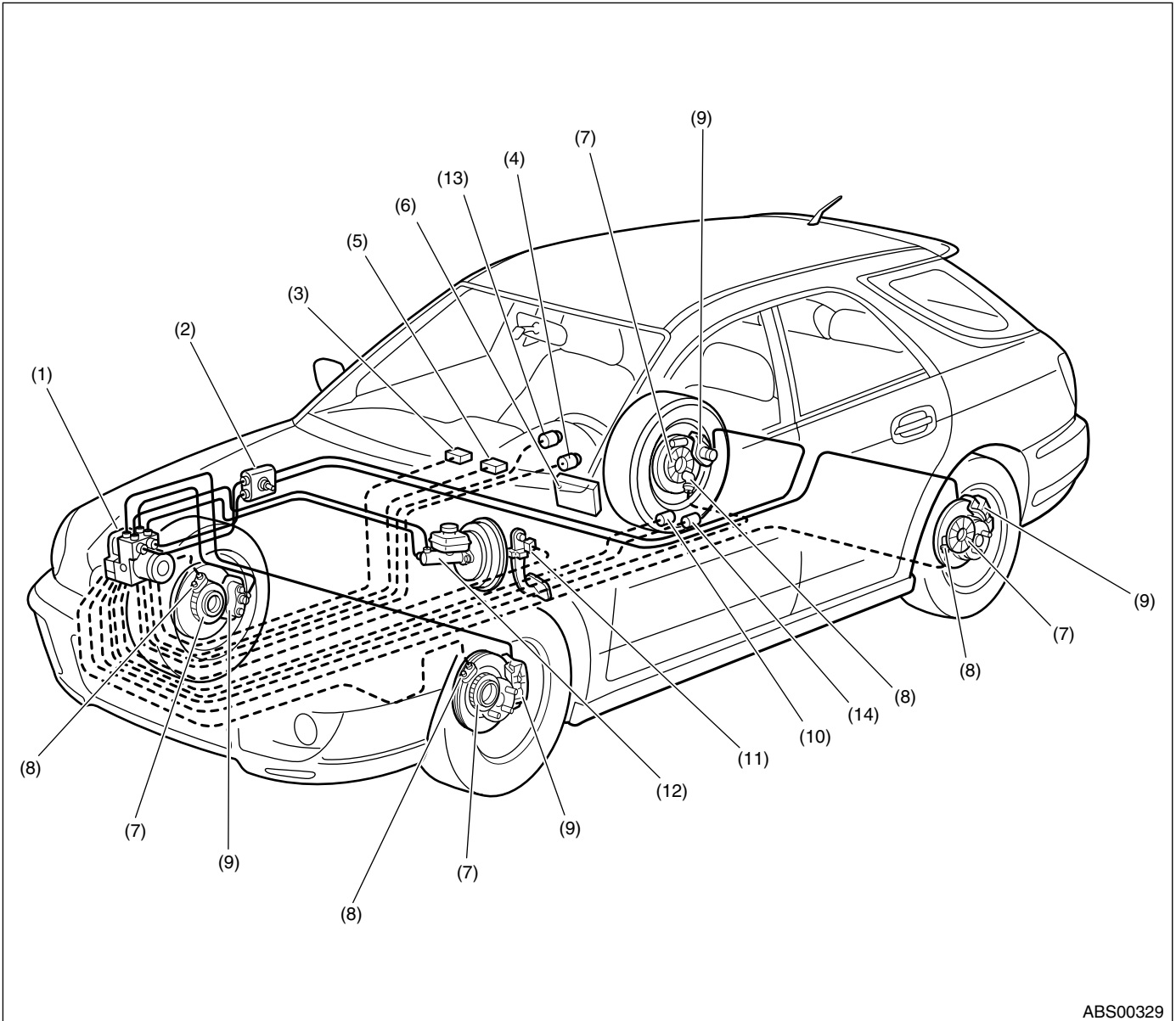


ELECTRICAL COMPONENTS LOCATION

ABS (DIAGNOSTICS)

4. Electrical Components Location

A: LOCATION



ABS00329

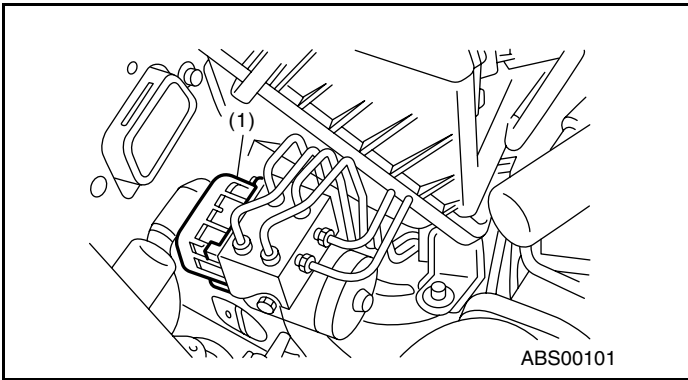
- (1) ABS control module and hydraulic control unit (ABSCM&H/U)
- (2) Connector
- (3) Diagnosis connector
- (4) ABS warning light
- (5) Data link connector (for Subaru Select Monitor)

- (6) Transmission control module (TCM) (AT model)
- (7) Tone wheel
- (8) ABS wheel speed sensor
- (9) Wheel cylinder
- (10) G sensor
- (11) Stop light switch

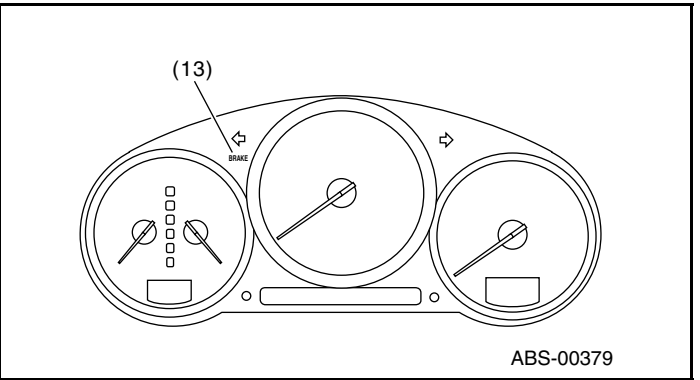
- (12) Master cylinder
- (13) Brake & EBD warning light
- (14) Lateral G sensor (STi model)

ELECTRICAL COMPONENTS LOCATION

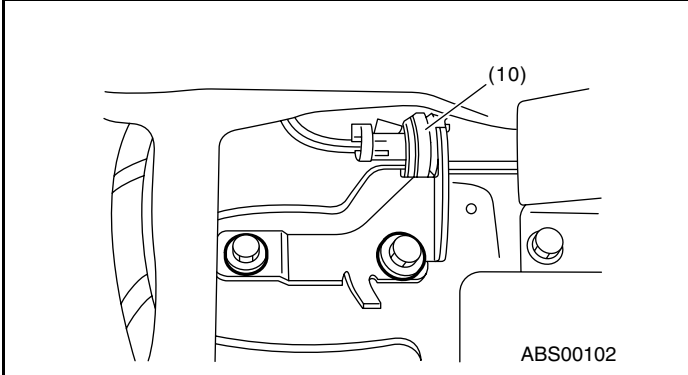
ABS (DIAGNOSTICS)



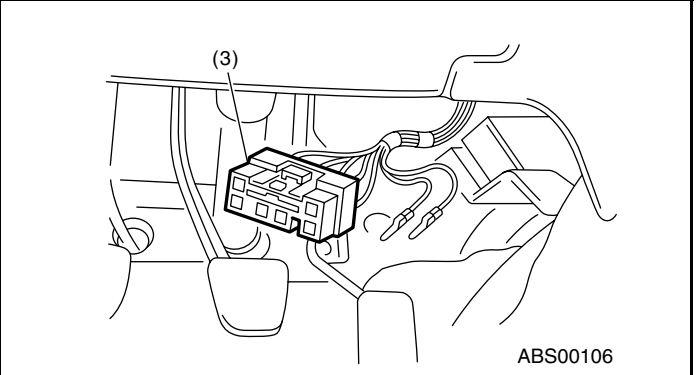
ABS00101



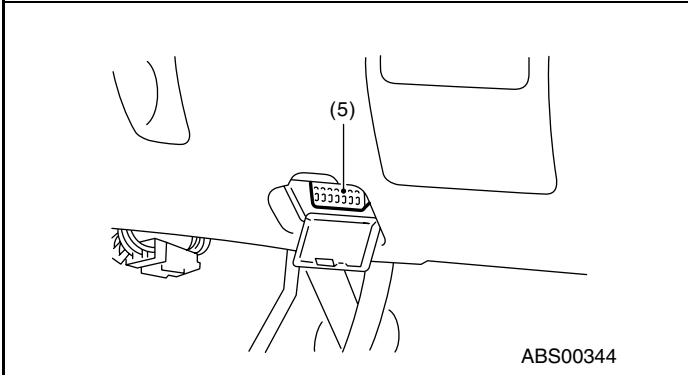
ABS-00379



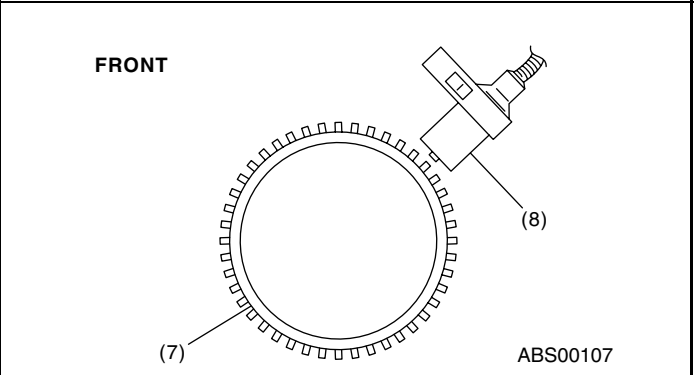
ABS00102



ABS00106

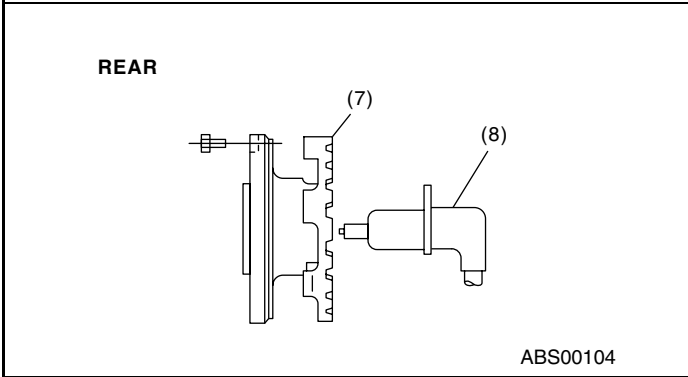


ABS00344



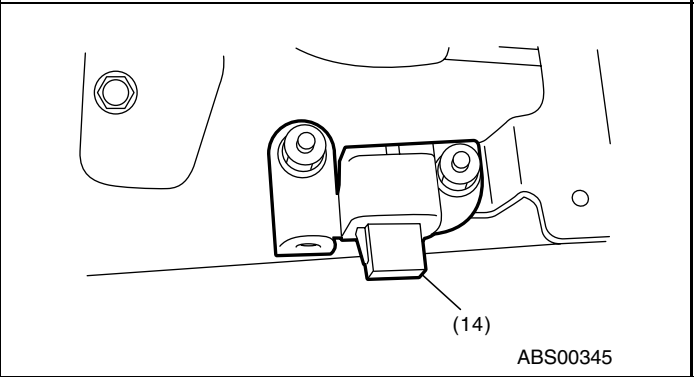
FRONT

ABS00107



REAR

ABS00104



ABS00345