

6. Subaru Select Monitor

A: OPERATION

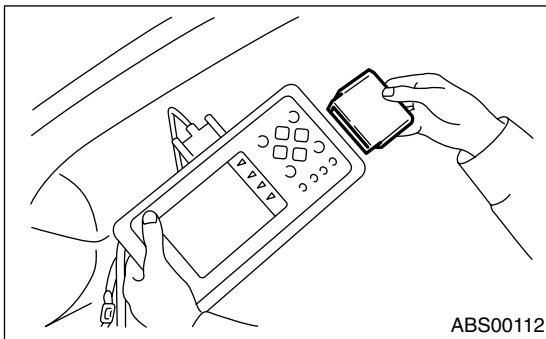
1. READ DIAGNOSTIC TROUBLE CODE (DTC)

1) Prepare the Subaru Select Monitor kit.



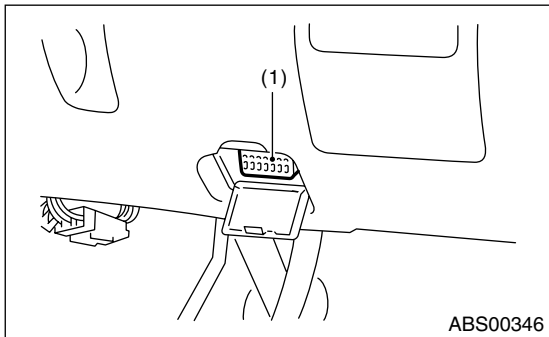
2) Connect the diagnosis cable to Subaru Select Monitor.

3) Insert the cartridge into Subaru Select Monitor.
<Ref. to ABS-9, SPECIAL TOOLS, PREPARATION TOOL, General Description.>



4) Connect the Subaru Select Monitor to data link connector.

(1) Data link connector located in the lower portion of instrument panel (on the driver's side).



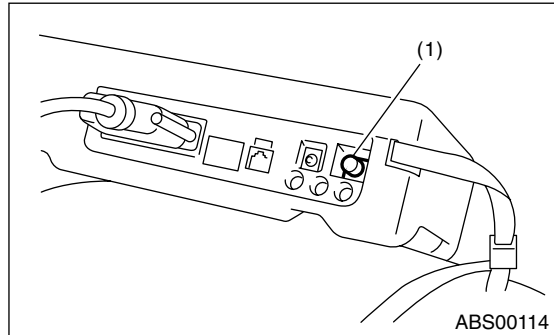
(1) Data link connector

(2) Connect the diagnosis cable to data link connector.

CAUTION:

Do not connect the scan tools except for Subaru Select Monitor and OBD-II general scan tool.

5) Turn the ignition switch to ON (engine OFF) and Subaru Select Monitor switch to ON.



(1) Power switch

6) On the «Main Menu» display screen, select the {Each System Check} and press [YES] key.

7) On the «System Selection Menu» display screen, select the {Brake Control System} and press [YES] key.

8) Press the [YES] key after the information of engine type is displayed.

9) On the «ABS Diagnosis» display screen, select the {DTC Display} and press [YES] key.

10) On the «DTC Display» display screen, select the {Current DTC} or {History DTC} and press [YES] key.

NOTE:

- For detailed operation procedure, refer to the SUBARU SELECT MONITOR OPERATION MANUAL.

- For detailed concerning the DTC, refer to the LIST OF DTC. <Ref. to ABS-23, List of Diagnostic Trouble Code (DTC).>

- A maximum of 3 DTCs are displayed in order of occurrence.

- If a particular DTC is not properly stored in memory (due to a drop in ABSCM&H/U power supply, etc.) when a problem occurs, the DTC, followed by a question mark "?", appears on the Subaru Select Monitor display. This shows it may be an unreliable reading.

Display screen	Contents to be monitored
Latest	The most recent DTC appears on Subaru Select Monitor display.
Old	The second most recent DTC appears on Subaru Select Monitor display.
Older	The third most recent DTC appears on Subaru Select Monitor display.
Reference	DTC issued after elapse of a specified period of time.

2. READ CURRENT DATA

- 1) On the «Main Menu» display screen, select the {Each System Check} and press «YES» key.
- 2) On the «System Selection Menu» display screen, select the {Brake Control System} and press «YES» key.
- 3) Press the «YES» key after the information of ABS type is displayed.
- 4) On the «Brake Control Diagnosis» display screen, select the {Current Data Display & Save} and press «YES» key.
- 5) On the «Data Display Menu» display screen, select the {Data Display} and press «YES» key.
- 6) Using the scroll key, move the display screen up or down until desired data is shown.
 - A list of the support data is shown in the following table.

Display screen	Contents to be monitored	Unit of measure
FR Wheel Speed	Wheel speed detected by Front ABS wheel speed sensor RH is displayed	km/h or MPH
FL Wheel Speed	Wheel speed detected by Front ABS wheel speed sensor LH is displayed	km/h or MPH
RR Wheel Speed	Wheel speed detected by Rear ABS wheel speed sensor RH is displayed	km/h or MPH
RL Wheel Speed	Wheel speed detected by Rear ABS wheel speed sensor LH is displayed	km/h or MPH
Stop Light Switch	Stop light switch signal	ON or OFF
Stop Light Switch	Stop light switch monitor voltage is displayed.	V
G Sensor Output Signal	Voltage equivalent to vehicle acceleration detected by analog G sensor is displayed.	V
Lateral G Sensor Output Signal	Lateral G detected by Lateral G sensor is displayed in voltage. (STI model)	V
Valve Relay Signal	Valve Relay Signal	ON or OFF
Motor Relay Signal	Motor Relay Signal	ON or OFF
ABS Signal to TCM	ABS operation signal from ABS control module to TCM	ON or OFF
ABS Warning Lamp	ON operation of ABS warning light is displayed.	ON or OFF
EBD Warning Light	ON operation of EBD warning light is displayed.	ON or OFF
Motor Relay Monitor	Operating condition of motor relay is displayed.	ON or OFF
Valve Relay Monitor	Operating condition of the valve relay is displayed.	ON or OFF
CCM Signal	ABS operation signal from ABS control module to TCM	ON or OFF

NOTE:

For detailed operation procedure, refer to the SUBARU SELECT MONITOR OPERATION MANUAL.

3. CLEAR MEMORY MODE

- 1) On the «Main Menu» display screen, select the {2. Each System Check} and press «YES» key.
- 2) On the «System Select Menu» display screen, select the {Brake System} and press «YES» key.
- 3) Press the «YES» key after the information of engine type is displayed.
- 4) On the «Brake Control Diagnosis» display screen, select the {Clear Memory} and press «YES» key.

Display screen	Contents to be monitored
Clear memory?	Function of clearing DTC.

- 5) When the “Done” and “turn ignition switch to OFF” are shown on display screen, turn the Subaru Select Monitor and ignition switch to OFF.

NOTE:

For detailed operation procedure, refer to the SUBARU SELECT MONITOR OPERATION MANUAL.

4. ABS SEQUENCE CONTROL

Display screen	Contents to be monitored	Index No.
ABS sequence control	Perform ABS sequence control by operating valve and pump motor sequentially.	<Ref. to ABS-9, ABS Sequence Control.>

SUBARU SELECT MONITOR

ABS (DIAGNOSTICS)

5. FREEZE FRAME DATA

NOTE:

- Data stored at the time of trouble occurrence is shown on display.
- Each time trouble occurs, the latest information is stored in the freeze frame data in memory.
- Freeze frame data will be memorized maximum to three.
- If freeze frame data is not properly stored in memory (due to a drop in ABSCM power supply, etc.), a DTC, preceded by a question mark “?”, appears on the Subaru Select Monitor display. This shows it may be an unreliable reading.

Display screen	Contents to be monitored
FR wheel speed	Wheel speed detected by Front ABS wheel speed sensor RH is displayed in km/h or mile/h.
FL wheel speed	Wheel speed detected by Front ABS wheel speed sensor LH is displayed in km/h or mile/h.
RR wheel speed	Wheel speed detected by Rear ABS wheel speed sensor RH is displayed in km/h or mile/h.
RL wheel speed	Wheel speed detected by Rear ABS wheel speed sensor LH is displayed in km/h or mile/h.
ABSCM power voltage	Power (in volts) supplied to ABSCM& H/U appears on the Subaru Select Monitor display.
G sensor output voltage	Voltage equivalent to vehicle acceleration detected by analog G sensor is displayed.
Lateral G sensor output voltage	Voltage equivalent to Lateral G detected by analog Lateral G sensor is displayed.
Motor relay monitor	Motor relay operation monitor signal
Stop light switch	Stop light switch signal
ABS signal to TCM	ABS operation signal from ABS control module to TCM
ABS-AT control	ABS operation signal from ABS control module to TCM
ABS operation signal	ABS operation signal
Condition of malfunction	Displays if the malfunction has occurred to ABS only, or to ABS and EBD.

6. ANALOG DATA ARE DISPLAYED

Display screen	Contents to be monitored
FR wheel speed	Wheel speed detected by Front ABS wheel speed sensor RH is displayed in km/h or mile/h.
FL wheel speed	Wheel speed detected by Front ABS wheel speed sensor LH is displayed in km/h or mile/h.
RR wheel speed	Wheel speed detected by Rear ABS wheel speed sensor RH is displayed in km/h or mile/h.
RL wheel speed	Wheel speed detected by Rear ABS wheel speed sensor LH is displayed in km/h or mile/h.
Stop light switch	Stop light switch monitor voltage is displayed.
G sensor output voltage	Refers to vehicle acceleration detecting by analog G sensor. It appears on the Subaru Select Monitor display in volts.
Lateral G sensor output voltage	Voltage equivalent to Lateral G detected by analog Lateral G sensor is displayed.

7. ON/OFF DATA ARE DISPLAYED

Display screen	Contents to be monitored
Stop light switch	Stop light switch signal
Valve relay signal	Valve relay signal
Motor relay signal	Motor relay signal
ABS signal to TCM	ABS operation signal from ABS control module to TCM
ABS warning light	ABS warning light
Valve relay monitor	Valve relay operation monitor signal
Motor relay monitor	Motor relay operation monitor signal
CCM signal	ABS operation signal from ABS control module to TCM