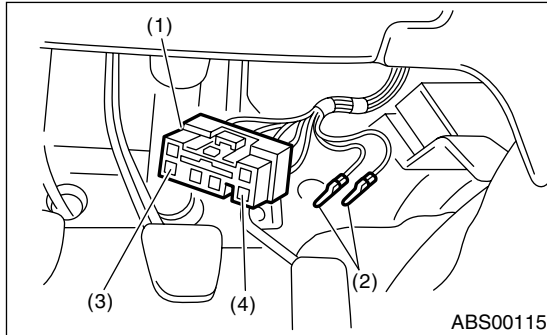


7. Read Diagnostic Trouble Code (DTC)

A: OPERATION

1. WITHOUT SUBARU SELECT MONITOR

1) Take out the diagnosis connector from side of driver's seat.

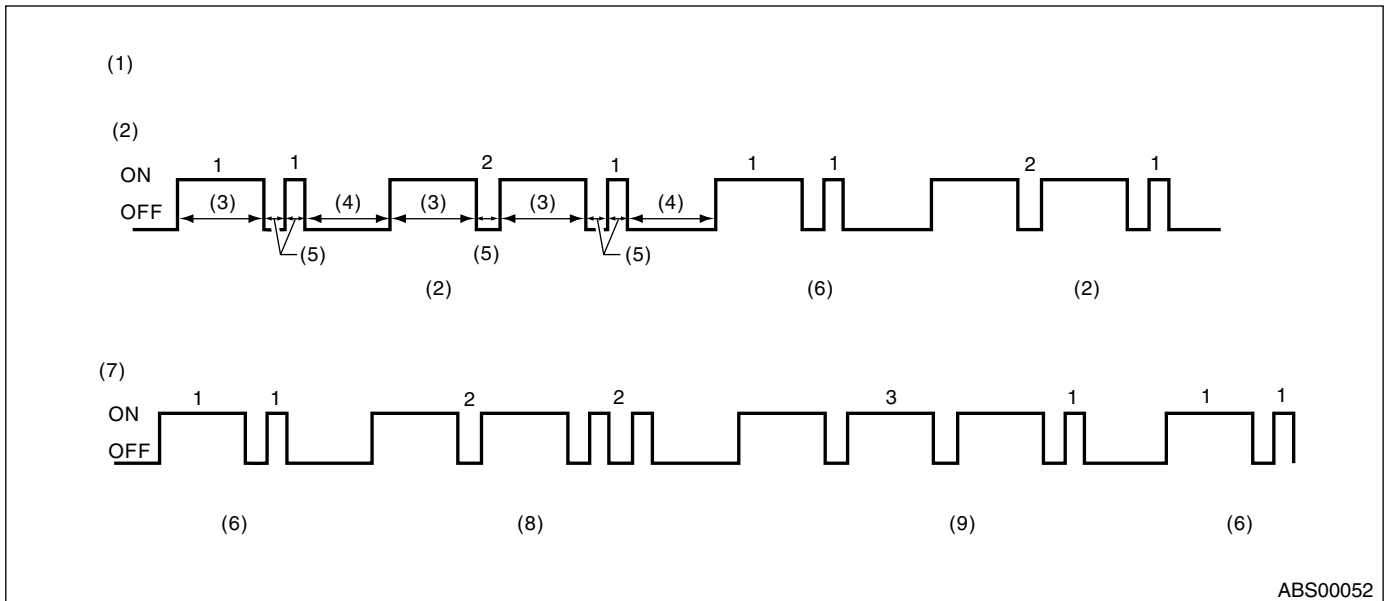


- (1) Diagnosis connector
- (2) Ground terminal
- (3) Terminal No. 3
- (4) Terminal No. 6

- 2) Turn the ignition switch to OFF.
- 3) Connect the diagnosis connector terminal 6 to Ground terminal.
- 4) Turn the ignition switch to ON.
- 5) ABS warning light is set in the diagnostic mode and blinks to identify DTC.
- 6) After the start code (11) is shown, the DTCs will be shown in order of the last information first. These repeat for a maximum of 3 minutes.

NOTE:

- When there are no DTCs in memory, only the start code (11) is shown.
- When on-board diagnosis of the ABS control module detects a problem, the information (up to a maximum of three) will be stored in EEPROM as a DTC. When there are more than three, the most recent three will be stored. (Stored codes will stay in memory until they are cleared.)



- (1) Example of DTC indication
- (2) DTC: 21
- (3) 1.2 sec.
- (4) 1.0 sec.
- (5) 0.3 sec.
- (6) Start code
- (7) DTC: 22, 31
- (8) DTC: 22
- (9) DTC: 31

2. WITH SUBARU SELECT MONITOR

Refer to SUBARU SELECT MONITOR for information about how to obtain and understand DTCs.
<Ref. to ABS-16, Subaru Select Monitor.>