

REAR BRAKE PAD

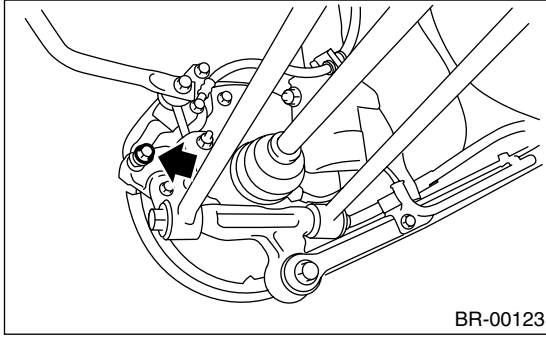
BRAKE

5. Rear Brake Pad

A: REMOVAL

1. 14 INCH TYPE

- 1) Set the vehicle on a lift.
- 2) Loosen the wheel nuts.
- 3) Lift-up the vehicle, and then remove the rear wheel.
- 4) Remove the lower caliper bolt.



- 5) Raise the caliper body upward and support it.

NOTE:

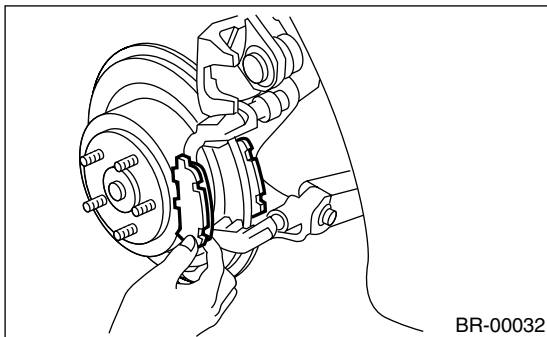
Do not disconnect the brake hose from caliper body.

- 6) Remove the pad.

NOTE:

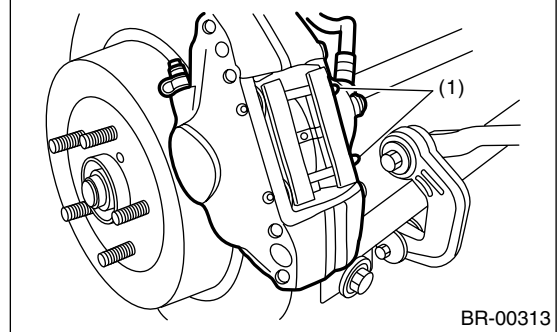
If the brake pad is difficult to remove, use the same procedure as for front disc brake pad.

<Ref. to BR-16, REMOVAL, Front Brake Pad.>



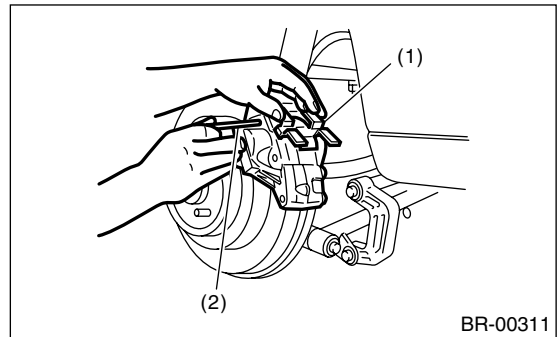
2. 17 INCH TYPE

- 1) Set the vehicle on a lift.
- 2) Loosen the wheel nuts.
- 3) Lift-up the vehicle, and then remove the rear wheel.
- 4) Remove the clip.



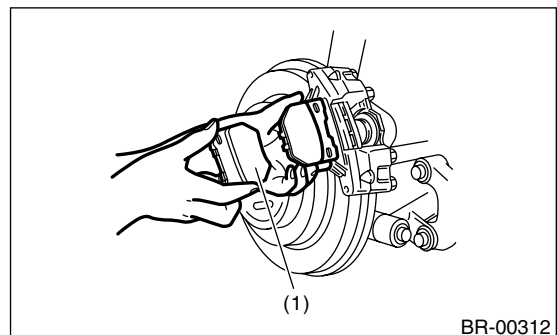
- (1) Clip

- 5) Remove the pad pins and cross spring.



- (1) Cross spring
- (2) Pad pin

- 6) Expand the pads and push piston back.
- 7) Remove the pad.



- (1) Rear brake pad

B: INSTALLATION

1. 14 INCH TYPE

- 1) Apply a thin coat of Molykote AS880N (Part No. K0777YA010) to the frictional portion between pad and pad clip.
- 2) Install the pad on support.
- 3) Install the caliper body on support.

Tightening torque:

37 N·m (3.8 kgf·m, 27.5 ft-lb)

NOTE:

If it is difficult to push the piston during pad replacement, loosen air bleeder to facilitate work.

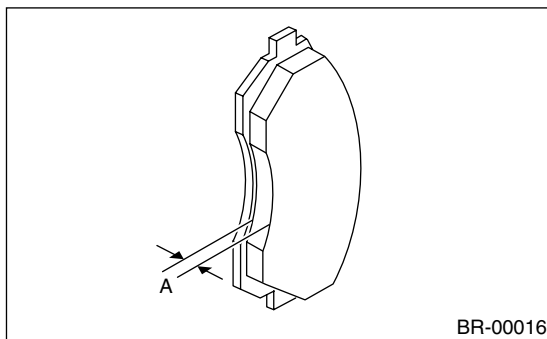
2. 17 INCH TYPE

- 1) Apply a thin coat of Molykote AS880N (Part No. K0777YA010) to frictional portion between pad and pad inner shim.
- 2) Install the pads on caliper body.
- 3) Install the cross spring and pad pins.
- 4) Install the Clip.

C: INSPECTION

1. 14 INCH TYPE

Check pad thickness A.



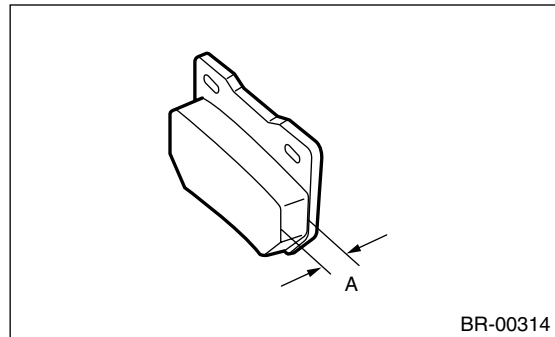
Pad thickness	Standard value	9.0 mm (0.354 in)
	Wear limit	1.5 mm (0.059 in)

NOTE:

- Always replace the pads for both right and left wheels at the same time.
- Also replace the pad clips if they are twisted or worn.
- A wear indicator is provided on the inner disc brake pad. If the pad wears down to such an extent that the end of wear indicator contacts disc rotor, a squeaking sound is produced as the wheel rotates. If this sound is heard, replace the pad.
- Replace the pad if there is oil or grease on it.

2. 17 INCH TYPE

Check the pad thickness A.



Pad thickness	Standard value	9.0 mm (0.354 in)
	Wear limit	1.2 mm (0.047 in)

NOTE:

- Always replace the pads for both right and left wheels at the same time.
- Also replace the pad clips if they are twisted or worn.
- A wear indicator is provided on the inner disc brake pad. If the pad wears down to such an extent that the end of wear indicator contacts disc rotor, a squeaking sound is produced as the wheel rotates. If this sound is heard, replace the pad.
- Replace the pad if there is oil or grease on it.