

REAR DISC BRAKE ASSEMBLY

BRAKE

7. Rear Disc Brake Assembly

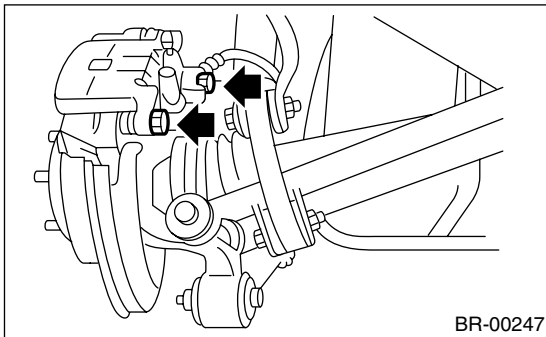
A: REMOVAL

1. 14 INCH TYPE

CAUTION:

Do not allow brake fluid to come in contact with vehicle body; wash away with water and wipe off completely if spilled.

- 1) Set the vehicle on a lift.
- 2) Loosen the wheel nuts.
- 3) Lift-up the vehicle, and then remove the wheels.
- 4) Disconnect the brake hose from caliper body assembly.
- 5) Remove the bolt securing lock pin to caliper body.



- 6) Raise the caliper body and move it toward vehicle center to separate it from support.
- 7) Remove the support from housing.

NOTE:

Remove the support only when replacing it or the rotor. It need not be removed when servicing the caliper body assembly.

- 8) Clean mud and foreign particles from the caliper body assembly and support.

CAUTION:

Be careful not to allow foreign particles to enter brake hose connector.

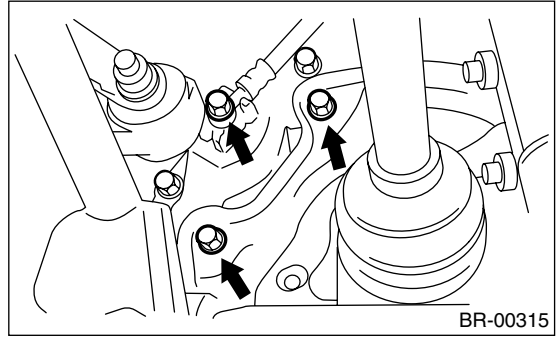
2. 17 INCH TYPE

CAUTION:

Do not allow brake fluid to come in contact with vehicle body; wash away with water and wipe off completely if spilled.

- 1) Set the vehicle on a lift.
- 2) Loosen the wheel nuts.
- 3) Lift-up the vehicle, and then remove the wheels.
- 4) Remove the brake pads from caliper body. <Ref. to BR-28, 17 INCH TYPE, REMOVAL, Rear Brake Pad.>
- 5) Disconnect the brake hose from caliper body.

- 6) Remove the caliper body from housing.



- 7) Clean mud and foreign particles from the caliper body.

CAUTION:

Be careful not to allow foreign particles to enter brake hose connector.

B: INSTALLATION

1. 14 INCH TYPE

- 1) Install the support on housing.

Tightening torque:

52 N·m (5.3 kgf-m, 38.3 ft-lb)

- 2) Apply thin coat of Molykote AS880N (Part No. K0777YA010) to the frictional portion between pad and pad clip.
- 3) Install the pads on support.
- 4) Install the caliper body on support.

Tightening torque:

37 N·m (3.8 kgf-m, 27.5 ft-lb)

- 5) Replace the brake hose gaskets with new ones, and then connect the brake hose.

Tightening torque:

18 N·m (1.8 kgf-m, 13.0 ft-lb)

- 6) Bleed air from the brake system.

2. 17 INCH TYPE

- 1) Install the caliper body on housing.

Tightening torque:

65 N·m (6.6 kgf-m, 47.9 ft-lb)

- 2) Install the pads on caliper body.
- 3) Replace the brake hose gaskets with new ones, and then connect the brake hose.

Tightening torque:

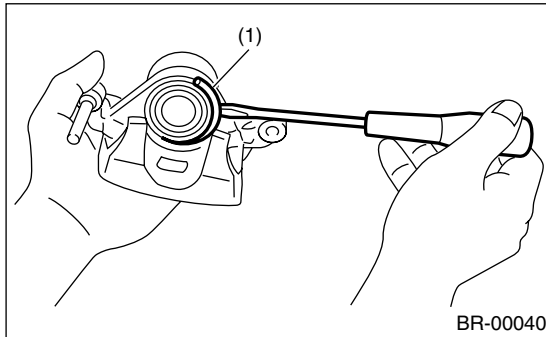
18 N·m (1.8 kgf-m, 13.0 ft-lb)

- 4) Bleed air from the brake system.

C: DISASSEMBLY

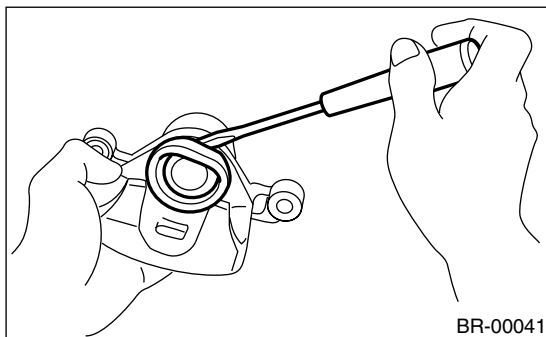
1. 14 INCH TYPE

1) Remove the boot ring.



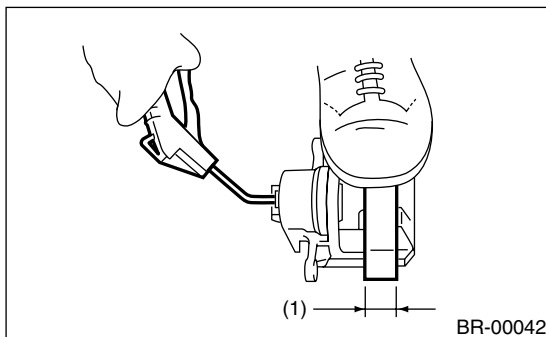
(1) Boot ring

2) Remove the piston boot.



3) Place a wooden block in caliper body as shown in the figure to prevent the piston from jumping out and avoid being damaged.

4) Gradually supply compressed air via the installation hole of brake hose to force the piston out.

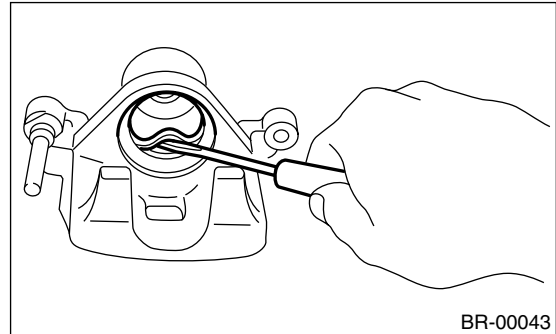


(1) Place a 30 mm (1.18 in) wide wooden block here.

5) Remove the piston seal from caliper body cylinder.

CAUTION:

Do not damage the cylinder and piston seal groove.

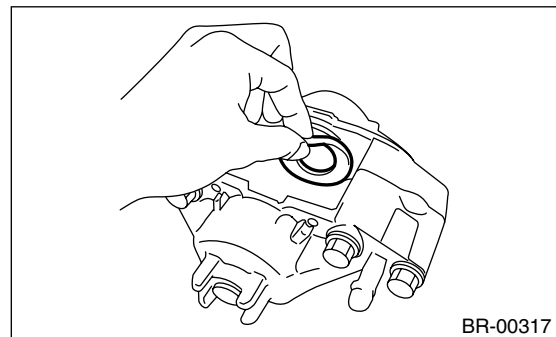


6) Remove the lock pin sleeve and boot from caliper body.

7) Remove the guide pin boot.

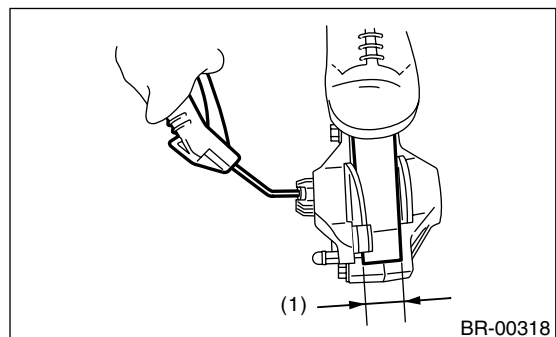
2. 17 INCH TYPE

1) Remove the piston boot from piston end.



2) Place a wooden block in caliper body as shown in the figure to prevent the piston from jumping out and avoid being damaged.

3) Gradually supply compressed air via the installation hole of brake hose to force the piston out.



(1) Place a 20 mm (0.79 in) wide wooden block here.

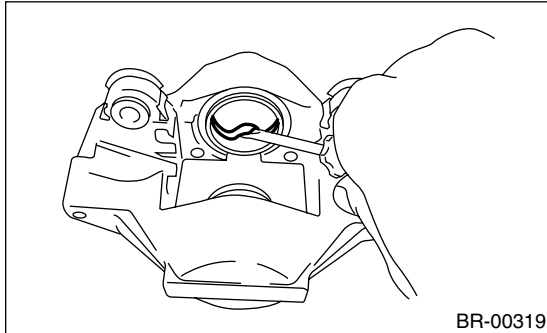
REAR DISC BRAKE ASSEMBLY

BRAKE

4) Remove the piston seal from caliper body cylinder.

CAUTION:

Do not damage the cylinder and piston seal groove.



D: ASSEMBLY

1. 14 INCH TYPE

- 1) Clean the caliper body interior using brake fluid.
- 2) Apply a coat of brake fluid to the piston seal and fit piston seal in groove on caliper body.
- 3) Apply a coat of brake fluid to the entire inner surface of cylinder and outer surface of piston.
- 4) Insert the piston into cylinder.

CAUTION:

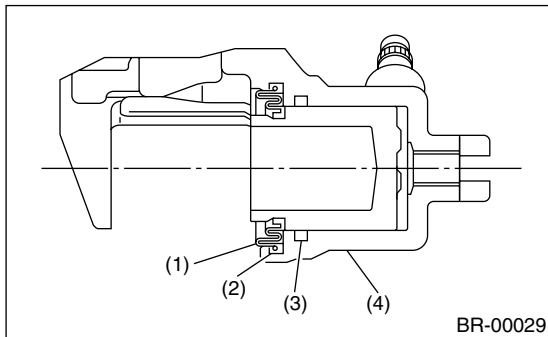
Do not force piston into cylinder.

- 5) Apply a coat of specified grease to the boot and fit in groove on ends of cylinder and piston.

Grease:

NIGLUBE RX-2 (Part No. K0779GA102)

- 6) Install the piston boot to caliper body, and then attach boot ring.

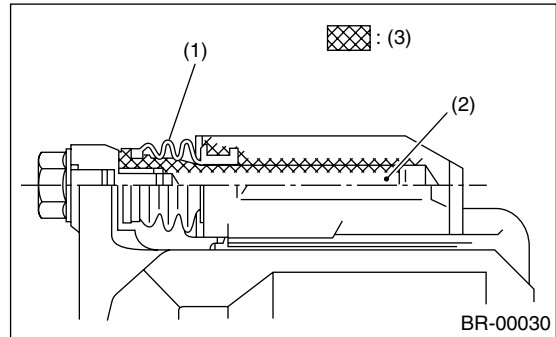


- (1) Piston boot
- (2) Boot ring
- (3) Piston seal
- (4) Caliper body

- 7) Apply a coat of specified grease to the guide pin, outer surface, sleeve outer surface, cylinder inner surface, and boot grooves.

Grease:

NIGLUBE RX-2 (Part No. K0779GA102)



- (1) Pin boot
- (2) Lock pin or guide pin
- (3) Apply grease.

- 8) Install the guide pin boot on support.

- 9) Install the lock pin boot on support, and then insert the lock pin sleeve into place.

2. 17 INCH TYPE

- 1) Clean the caliper body interior using brake fluid.
- 2) Apply a coat of brake fluid to the piston seal and install the piston seal in groove on caliper body.
- 3) Apply a coat of brake fluid to the entire inner surface of cylinder and outer surface of piston.
- 4) Apply a coat of specified grease to the boot and install it in the groove on piston.

Grease:

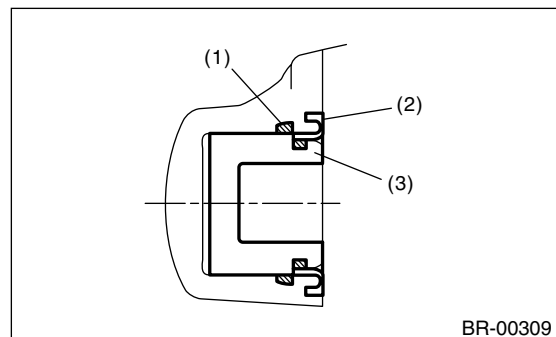
NIGLUBE RX-2 (Part No. K0779GA102)

- 5) Insert the piston into cylinder.

CAUTION:

Do not force the piston into cylinder.

- 6) Position the boot in grooves on cylinder and piston.



- (1) Piston seal
- (2) Piston boot
- (3) Piston

E: INSPECTION

- 1) Repair or replace the faulty parts.
- 2) Check the caliper body and piston for uneven wear, damage or rust.
- 3) Check the rubber parts for damage or deterioration.