

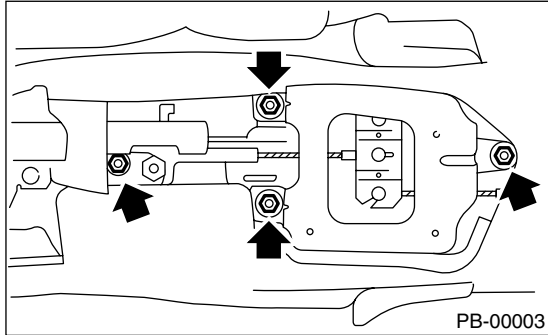
PARKING BRAKE LEVER

PARKING BRAKE

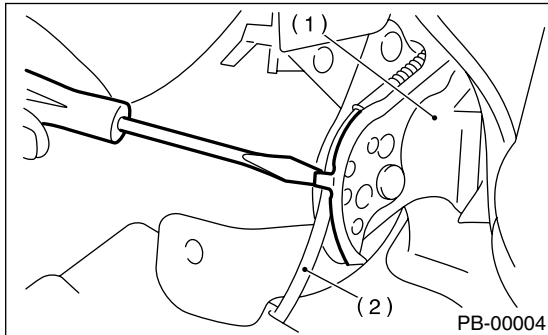
2. Parking Brake Lever

A: REMOVAL

- 1) Lift up the vehicle.
- 2) Remove the rear wheel.
- 3) Remove the rear seat cushion.
- 4) Remove the console box.
- 5) Loosen the parking cable adjusting nut and console bracket.
- 6) Disconnect the connector of parking brake switch.
- 7) Remove the parking brake lever.



- 8) Unbend the parking brake lever pawls and remove cable.



- (1) Parking brake lever
- (2) Cable

B: INSTALLATION

- 1) Install in the reverse order of removal.

Tightening torque:

Parking brake lever;

18 N·m (1.8 kgf·m, 13.0 ft·lb)

Adjusting nut;

5.9 N·m (0.6 kgf·m, 4.3 ft·lb)

- 2) Be sure to adjust the lever stroke. <Ref. to PB-4, ADJUSTMENT, Parking Brake Lever.>

C: INSPECTION

While pulling the parking brake lever upward, count the notches.

Lever stroke:

7 to 8 notches when pulled with a force of 196 N (20 kgf, 44 lb)

If not as specified, adjust the parking brake. <Ref. to PB-8, ADJUSTMENT, Parking Brake Assembly (Rear Disc Brake).>

D: ADJUSTMENT

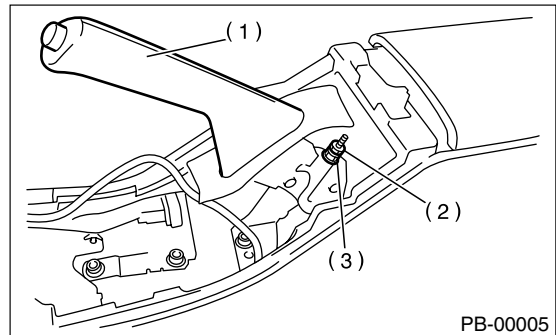
- 1) Remove the console cover.
- 2) Forcibly pull the parking brake lever 3 to 5 times.
- 3) Adjust the parking brake lever by turning adjuster until parking brake lever stroke is set at 7 to 8 notches with operating force of 196 N (20 kgf, 44 lb).
- 4) Tighten the lock nut.

Lever stroke:

7 to 8 notches when pulled with a force of 196 N (20 kgf, 44 lb)

Tightening torque (Lock nut):

5.9 N·m (0.6 kgf·m, 4.3 ft·lb)



- (1) Parking brake lever
- (2) Lock nut
- (3) Adjusting nut

- 5) Install the console cover.