

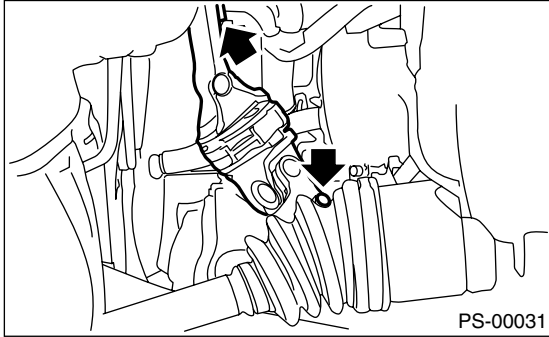
UNIVERSAL JOINT

POWER ASSISTED SYSTEM (POWER STEERING)

3. Universal Joint

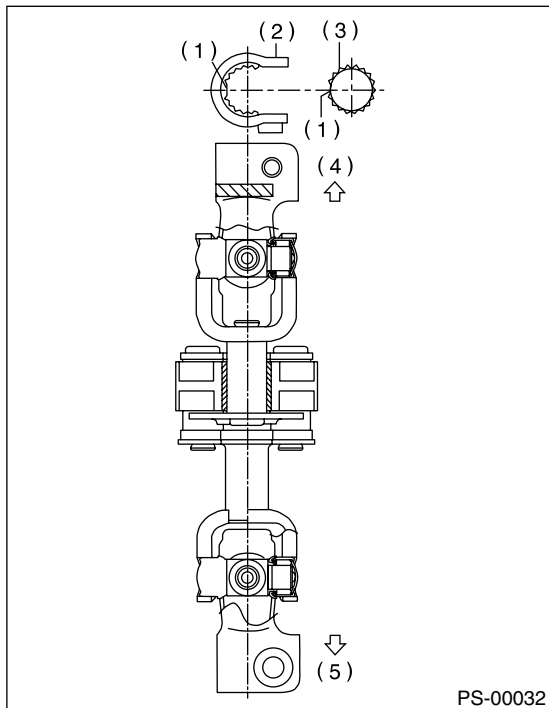
A: REMOVAL

- 1) Remove the steering wheel. <Ref. to PS-17, REMOVAL, Steering Wheel.>
- 2) Make matching mark on the universal joint.
- 3) Remove the universal joint bolts, and then remove the universal joint.



B: INSTALLATION

- 1) Align the cutout at serrated section of the column shaft and yoke, and then insert the universal joint into column shaft.



- (1) Cutout
- (2) Yoke
- (3) Column shaft
- (4) Column shaft side
- (5) Gearbox side

- 2) Align the matching marks, and then insert the universal joint to serrated section of gear box assembly.

- 3) Tighten the bolt.

Tightening torque:

24 N·m (2.4 kgf-m, 17.4 ft-lb)

CAUTION:

Excessively large tightening torque of the universal joint bolts may lead to heavy steering wheel operation.

Standard clearance between gearbox to DOJ:
Over 14 mm (0.55 in)

- 4) Align the center of roll connector. <Ref. to AB-18, ADJUSTMENT, Roll Connector.>
- 5) Install the steering wheel and airbag module. <Ref. to PS-17, INSTALLATION, Steering Wheel.>

WARNING:

Always refer to "Airbag System" before performing airbag module service. <Ref. to AB-3, CAUTION, General Description.>

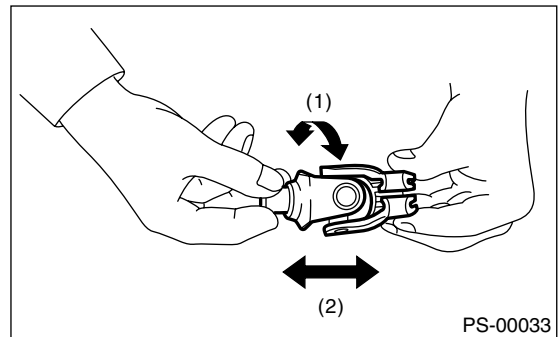
C: INSPECTION

Check for wear, damage, or any other faults. If necessary, replace.

Service limit:

Universal joint play; 0 mm (0 in)

Maximum swing torque; 0.3 N (0.03 kgf, 0.07 lb)



- (1) Swing torque
- (2) Play

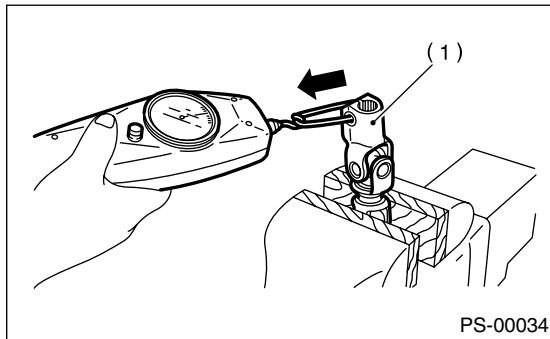
UNIVERSAL JOINT

POWER ASSISTED SYSTEM (POWER STEERING)

Measurement of folding torque of universal joint is as shown in the figures.

Service limit:

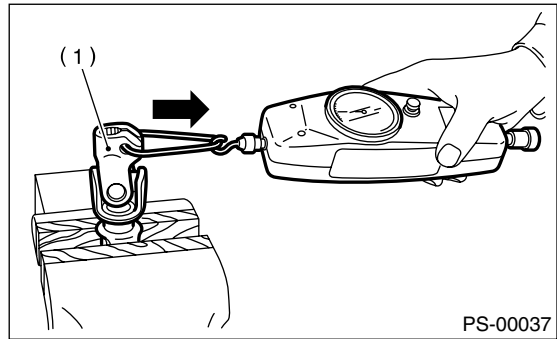
Maximum load; 3.8 N (0.39 kgf, 0.86 lb) or less



(1) Yoke (gearbox side)

Service limit:

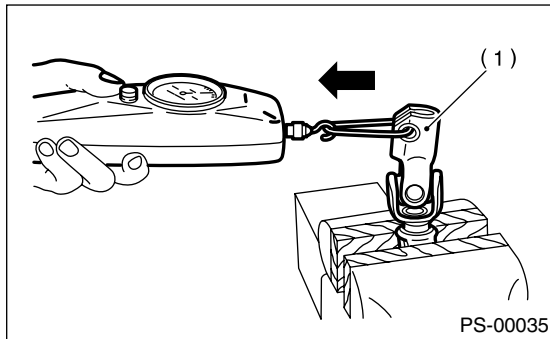
Maximum load; 7.3 N (0.74 kgf, 1.64 lb) or less



(1) Yoke (Steering column side)

Service limit:

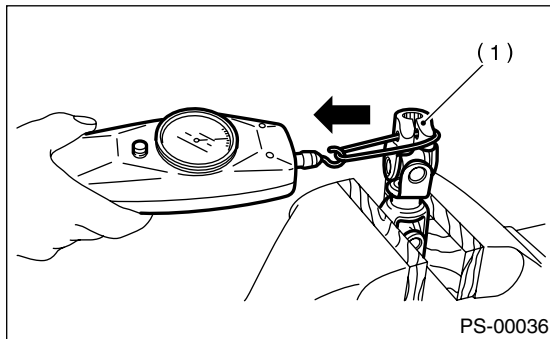
Maximum load; 3.8 N (0.39 kgf, 0.86 lb) or less



(1) Yoke (gearbox side)

Service limit:

Maximum load; 7.3 N (0.74 kgf, 1.64 lb) or less



(1) Yoke (Steering column side)