

# POWER STEERING FLUID

POWER ASSISTED SYSTEM (POWER STEERING)

## 9. Power Steering Fluid

### A: SPECIFICATION

Recommended power steering fluid	Manufacturer
ATF DEXRON III or equivalent	B.P.
	CALTEX
	CASTROL
	MOBIL
	SHELL
	TEXACO

### B: INSPECTION

1) Check the power steering fluid for deterioration or contamination. If the fluid is highly deteriorated or contaminated, drain it and refill with new fluid.

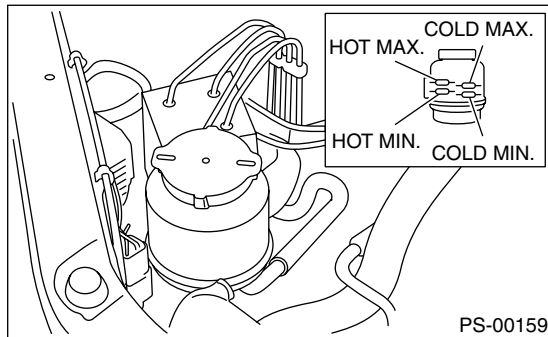
2) Check the joints and units for oil leakage. If any oil leaks are found, repair or replace the applicable part.

3) Inspect the fluid level on flat and level surface with engine "OFF" by indicator of reservoir tank.

If the level is at MIN. point or below, add fluid to keep the level in the specified range of the indicator. If at MAX. point or above, drain fluid by using a syringe or the like.

(1) Check at power steering fluid temperature 20°C (68°F); read the fluid level on the "COLD" side.

(2) Check at power steering fluid temperature 80°C (176°F); read the fluid level on the "HOT" side.



### C: REPLACEMENT

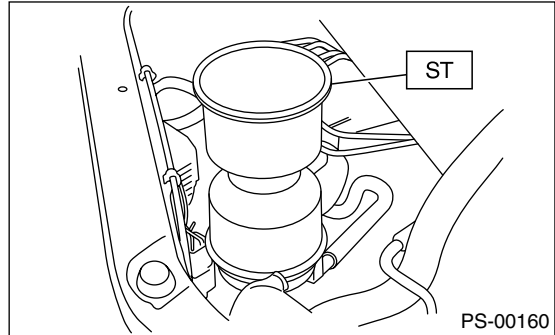
1) Lift up the vehicle.

2) Remove the jack up plate.

3) Remove the pipe joint in center of gear box, and then install the vinyl hose to pipe and joint. Drain the fluid while turning steering wheel.

4) Set the ST on top of reservoir tank and fill it about half way with the specified fluid.

ST 34199AE040 OIL CHARGE



5) Continue to turn the steering wheel slowly from lock to lock until bubbles stop appearing on oil surface while keeping the fluid at that level.

6) If turning the steering wheel in low fluid level condition, air will be sucked in pipe. In this case, leave it about half an hour and then do the step 5) again.

7) Lift up the vehicle, start the engine and let it idle.

8) Continue to turn the steering wheel slowly from lock to lock again until bubbles stop appearing on oil surface while keeping the fluid at that level.

It is normal that bubbles stop appearing after three times turning of steering wheel from lock to lock.

9) In case the bubbles do not stop appearing in the tank, leave it about half an hour and then do the step 4) all over again.

10) Lower the vehicle, and then idle the engine.

11) Continue to turn the steering wheel from lock to lock until bubbles stop appearing and change of the fluid level is within 3 mm (0.12 in).

12) In case the following happens, leave it about half an hour and then do step 8) to 11) again.

(1) The fluid level changes over 3 mm (0.12 in).

(2) Bubbles remain on the upper surface of the fluid.

(3) Grinding noise is generated from oil pump.

13) Check the fluid leakage after turning steering wheel from lock to lock with engine running.