

CONTROL UNIT (MANUAL A/C MODEL)

HVAC SYSTEM (HEATER, VENTILATOR AND A/C)

11. Control Unit (Manual A/C Model)

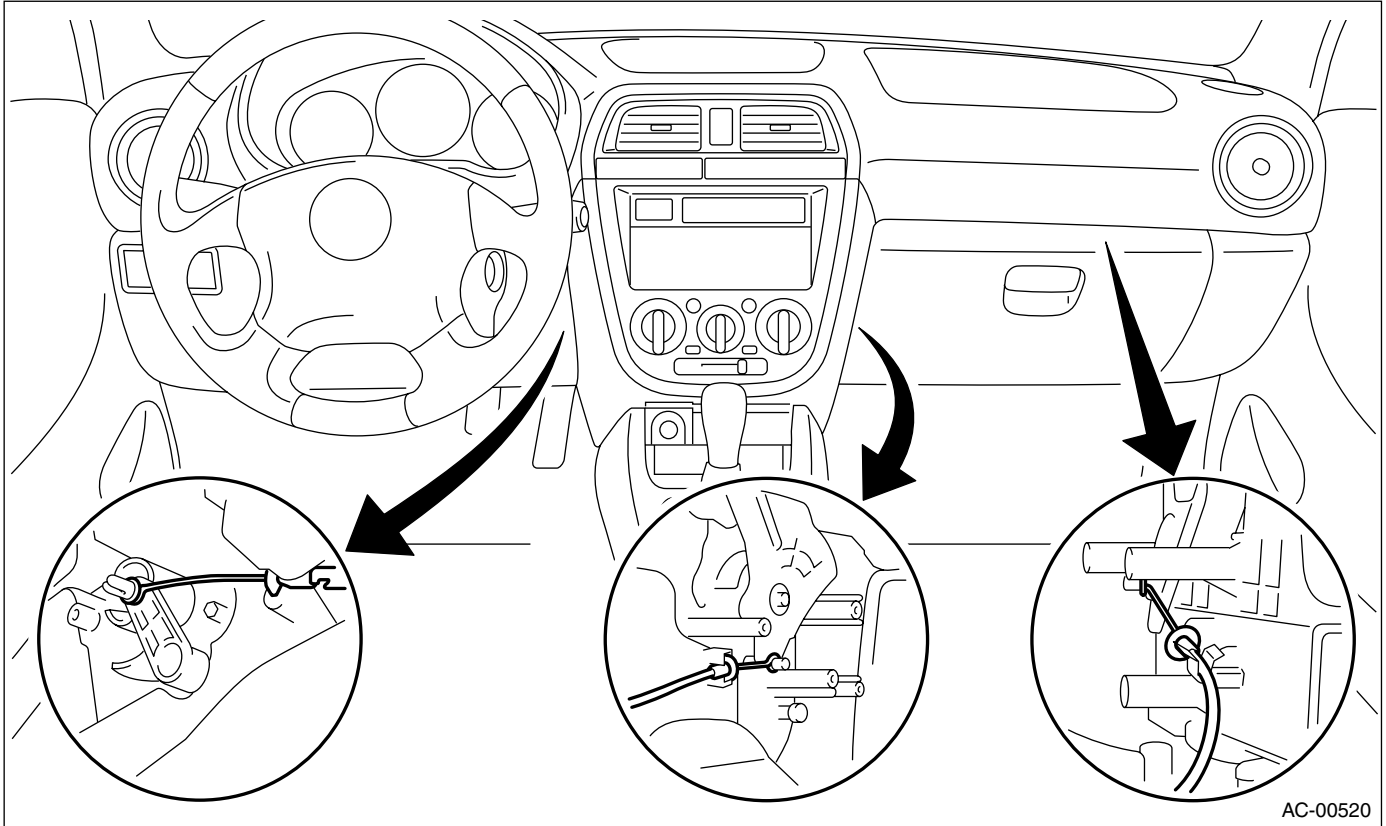
A: REMOVAL

1) Disconnect the ground terminal from battery.

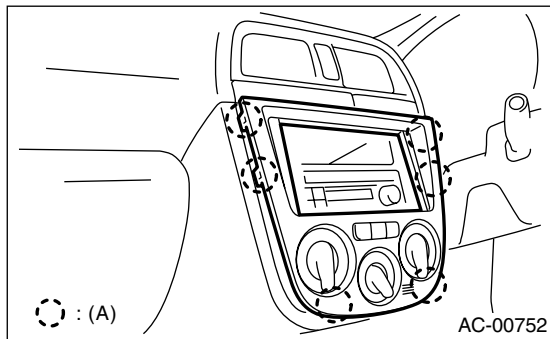
2) Remove the glove box. <Ref. to EI-40, REMOVAL, Glove Box.>

3) Remove the lower panel. <Ref. to EI-44, Instrument Panel Assembly.>

4) Remove the control wires.

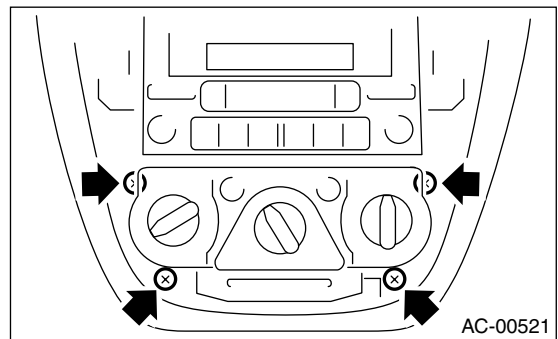


5) Remove the center console panel.



(A) Clip

6) Remove four screws.



7) Pull out the control unit and disconnect connectors.

B: INSTALLATION

Install in the reverse order of removal.