

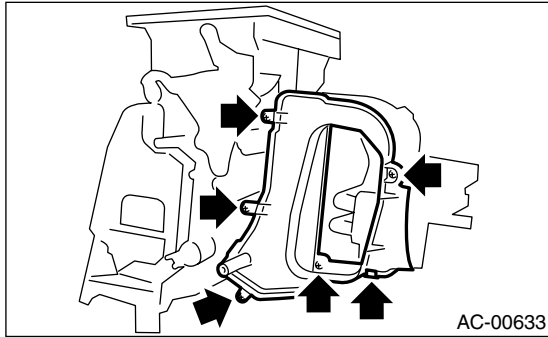
EVAPORATOR

HVAC SYSTEM (HEATER, VENTILATOR AND A/C)

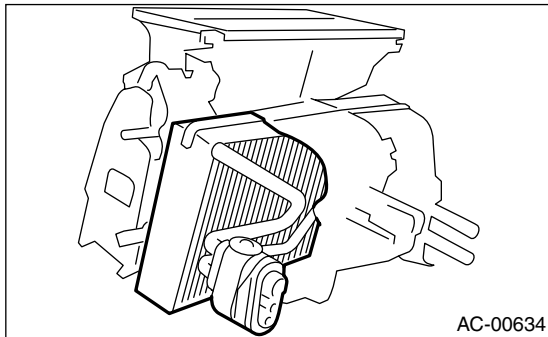
16. Evaporator

A: REMOVAL

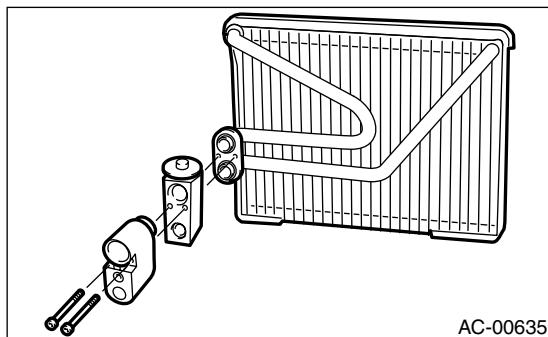
- 1) Remove the heater and cooling unit. <Ref. to AC-35, REMOVAL, Heater and Cooling Unit.>
- 2) Loosen the screws and clip to remove the evaporator cover.



- 3) Remove the evaporator.



- 4) Loosen the two bolts to remove the expansion valve.



CAUTION:

If the evaporator is replaced, add appropriate amount of compressor oil to evaporator. <Ref. to AC-25, REPLACEMENT, Compressor Oil.>

B: INSTALLATION

Install in the reverse order of removal.