

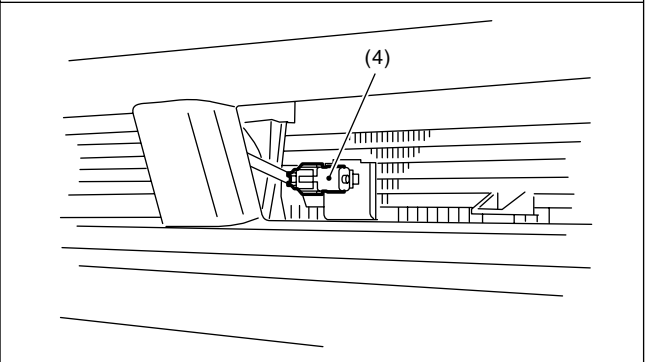
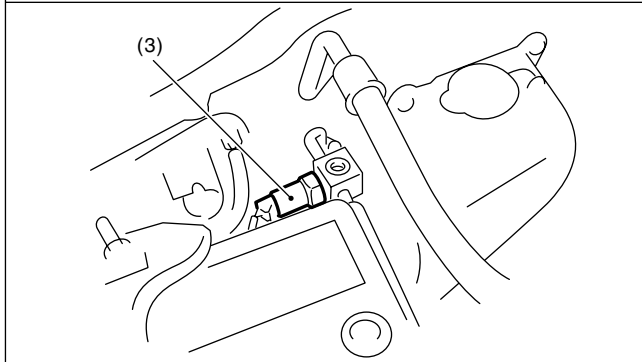
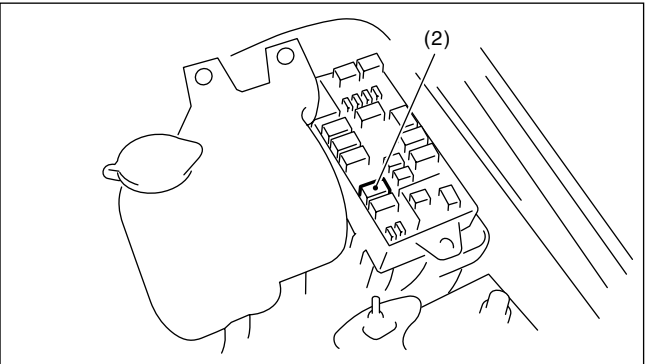
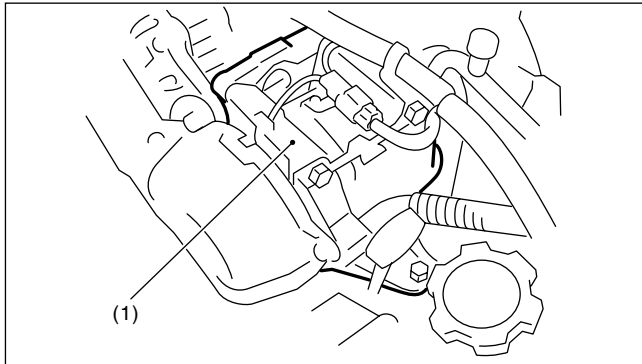
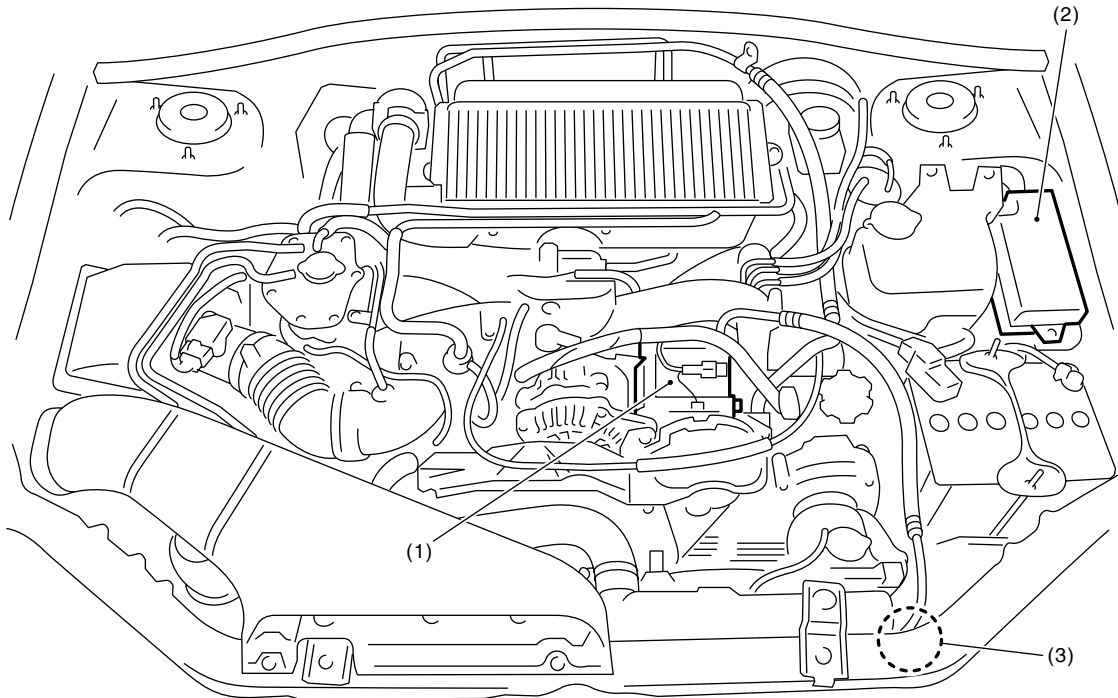
ELECTRICAL COMPONENTS LOCATION

HVAC SYSTEM (AUTO A/C) (DIAGNOSTICS)

3. Electrical Components Location

A: LOCATION

1. ENGINE COMPARTMENT



AC-00666

(1) A/C compressor
(2) A/C relay

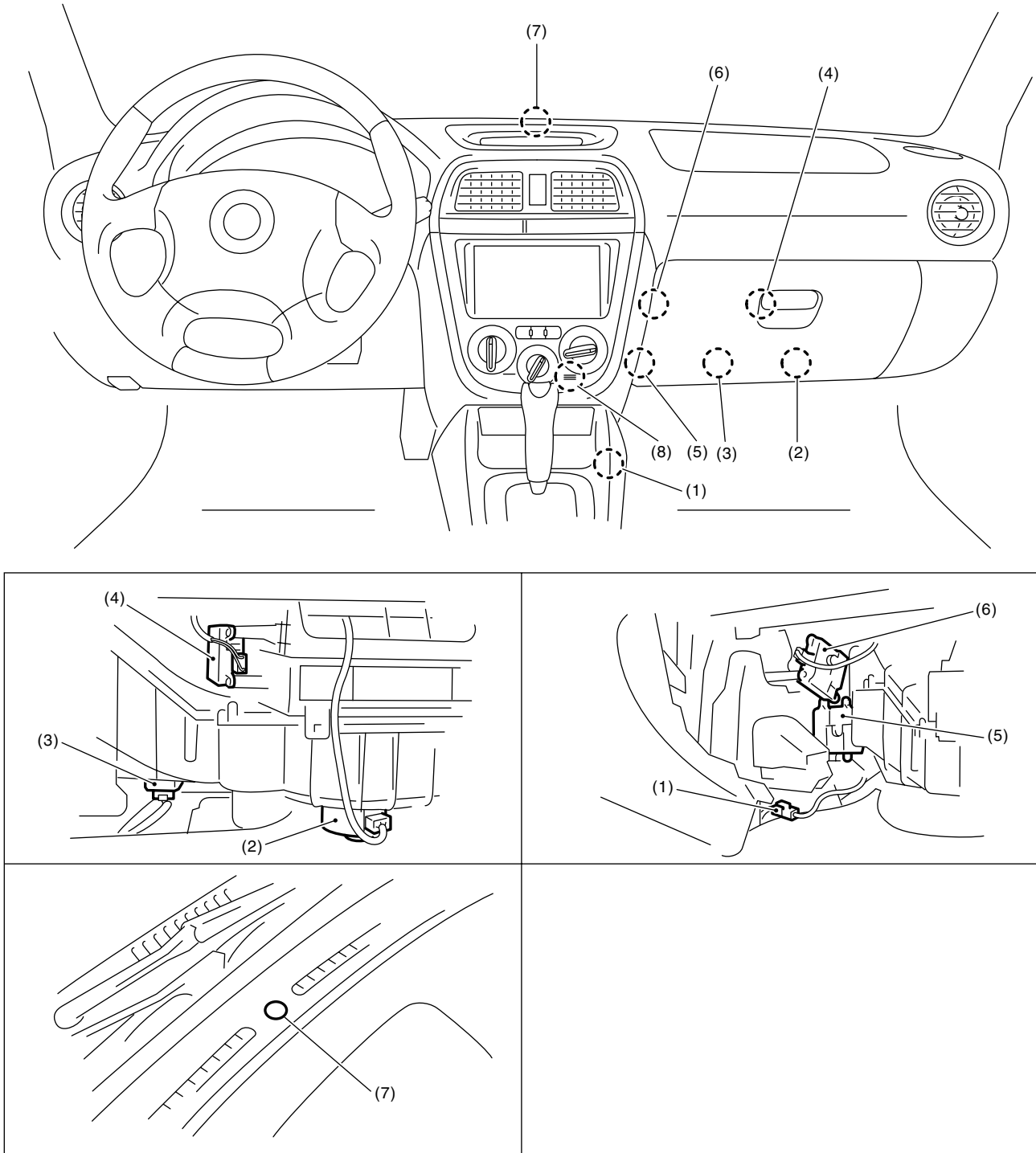
(3) Pressure switch

(4) Ambient sensor

ELECTRICAL COMPONENTS LOCATION

HVAC SYSTEM (AUTO A/C) (DIAGNOSTICS)

2. PASSENGER COMPARTMENT



AC-00667

- | | | |
|---------------------------|---------------------------|------------------------------------|
| (1) Evaporator sensor | (4) Intake door actuator | (7) Sunload sensor |
| (2) Blower motor | (5) Air mix door actuator | (8) In-vehicle sensor |
| (3) Blower motor resistor | (6) Mode door actuator | (built-in Auto A/C control module) |