

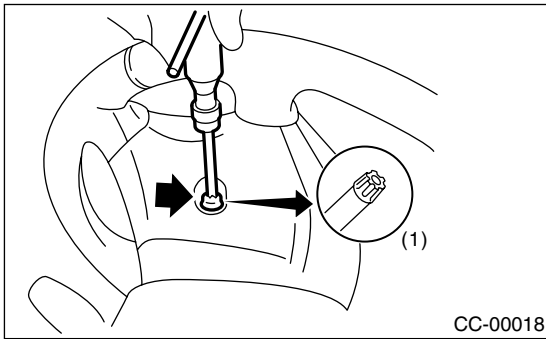
## 4. Driver's Airbag Module

### A: REMOVAL

**CAUTION:**

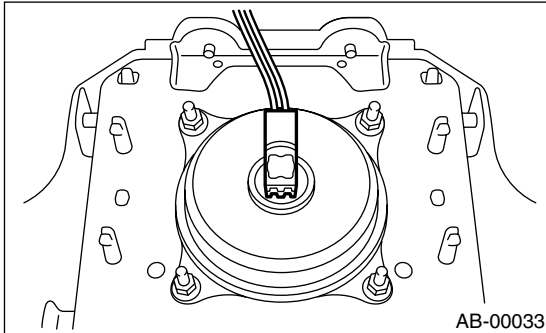
Refer to “CAUTION” in General Description before handling the airbag module. <Ref. to AB-3, CAUTION, General Description.>

- 1) Position the front wheels straight ahead. (After moving the vehicle more than 5 m (16 ft) with front wheels positioned straight ahead, make sure that the vehicle moves straight ahead).
- 2) Turn the ignition switch to OFF.
- 3) Disconnect the ground cable from battery, and wait for at least 20 seconds before starting work.
- 4) Using the TORX® BIT T30, remove the two TORX® bolts on side of steering wheel.



(1) TORX® BIT T30

- 5) Disconnect the airbag connector on the back of airbag module, and then remove the airbag module.



- 6) Refer to “CAUTION” for handling of a removed airbag module. <Ref. to AB-3, CAUTION, General Description.>

### B: INSTALLATION

Install in the reverse order of removal.

**CAUTION:**

Do not allow harness and connectors to interfere or get tangled up with other parts.

**Tightening torque:**

Refer to “COMPONENT” in “General Description” <Ref. to AB-2, SRS AIRBAG, COMPONENT, General Description.>

### C: INSPECTION

**CAUTION:**

Refer to “CAUTION” in General Description before handling the airbag module. <Ref. to AB-3, CAUTION, General Description.>

Check for the following, and replace damaged parts with new parts.

- Airbag module, harness, connector, and mounting bracket are damaged. <Ref. to AB-10, DRIVER'S AIRBAG MODULE, INSPECTION, Inspection Locations After a Collision.>