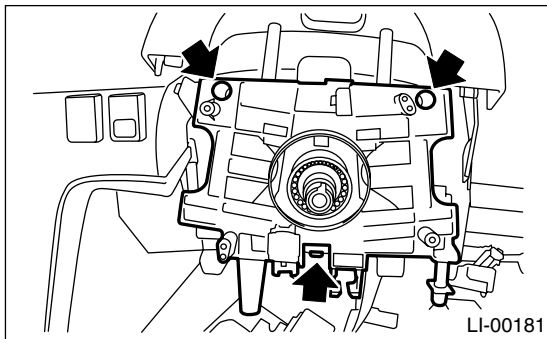


## 10. Combination Base Switch Assembly

### A: REMOVAL

- 1) Remove the driver's airbag module. <Ref. to AB-12, REMOVAL, Driver's Airbag Module.>
- 2) Remove the steering wheel. <Ref. to PS-17, REMOVAL, Steering Wheel.>
- 3) Remove the steering column cover.
- 4) Remove the combination switch. <Ref. to LI-9, REMOVAL, Combination Switch (Light).> and <Ref. to WW-7, REMOVAL, Combination Switch (Wiper).>
- 5) Loosen the four screws and remove the roll connector.
- 6) Loosen the three screws.



- 7) Disconnect the connector and remove the combination base switch assembly.

### B: INSTALLATION

- 1) Install in the reverse order of removal.
- 2) Align the attaching direction of roll connector with the steering wheel, before installation of steering wheel. <Ref. to AB-18, ADJUSTMENT, Roll Connector.>

### C: INSPECTION

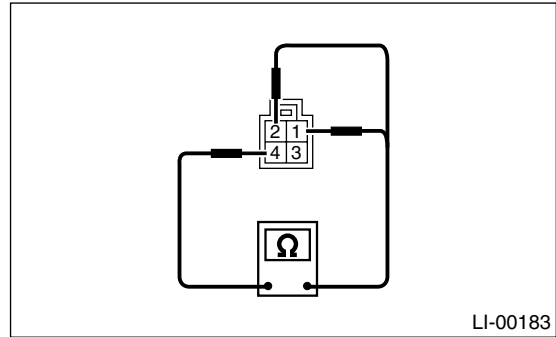
#### 1. COMBINATION BASE SWITCH ASSEMBLY

Perform the inspection for the following items and replace with a new one, if any damage is found.

- Crack or deformation of combination base switch assembly or roll connector

## 2. PARKING SWITCH

Measure the parking switch resistance.



Switch position	Terminal No.	Standard
OFF	2 and 4	Less than 1 Ω
ON	1 and 4	Less than 1 Ω