

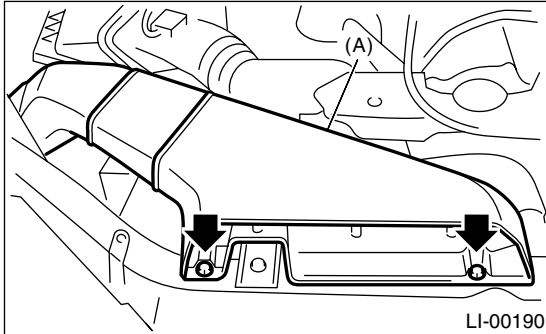
HEADLIGHT ASSEMBLY

LIGHTING SYSTEM

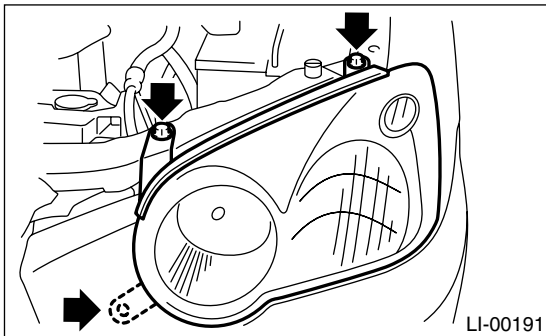
11. Headlight Assembly

A: REMOVAL

- 1) Disconnect the ground cable from battery.
- 2) Remove the duct (A) (when right side headlight is removed).



- 3) Remove the front grille and bumper upper clips. <Ref. to EI-19, REMOVAL, Front Grille.>
- 4) Disconnect each harness connector.
- 5) Remove the three bolts and disengage the clips, and then detach the headlight assembly.



B: INSTALLATION

Install in the reverse order of removal.

C: ADJUSTMENT

1. HEADLIGHT AIMING

CAUTION:

Turn off the light before adjusting headlight aiming. If the light is necessary to check aiming, do not turn on for more than 2 minutes.

NOTE:

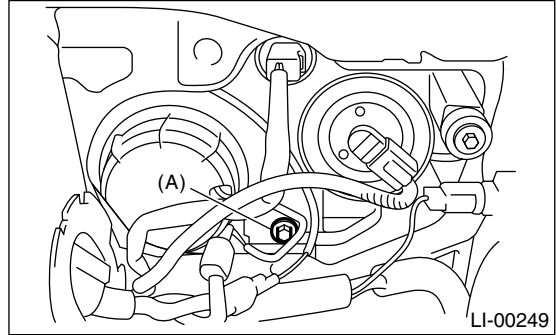
Before checking the headlight aiming, be sure of the following:

- The area around the headlight has not sustained any accident, damage or other type of deformation.
- Vehicle is parked on level ground.
- The inflation pressure of tires is correct.
- Vehicle's gas tank is fully charged.
- Bounce the vehicle several times to normalize the suspension.
- Make certain that someone is seated in the driver's seat.

Turn the headlights on and then adjust the low beam pattern to the following positions on the screen.

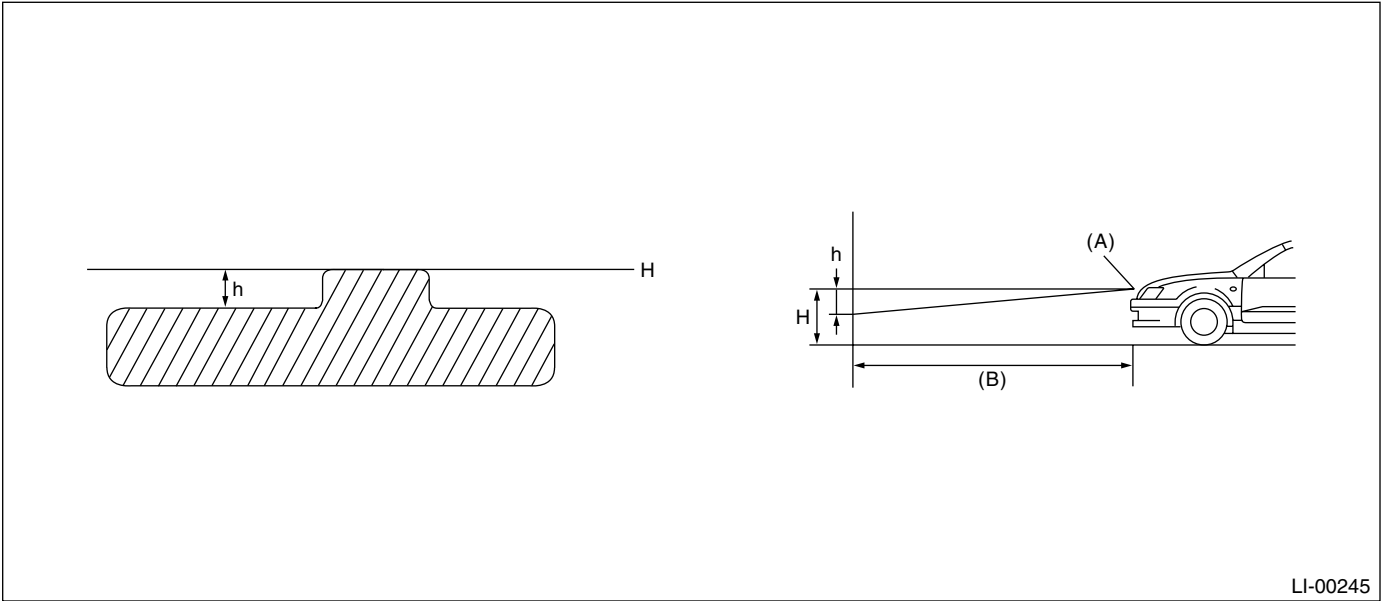
NOTE:

- Position the headlight beam leveler switch to "0".
- Rotate the adjusting screw (A) to adjust aim.



HEADLIGHT ASSEMBLY

LIGHTING SYSTEM



LI-00245

(A) Bulb center marking

(B) 3 m (10 ft)

H mm (in)				h mm (in) at 3 m (10 ft)
Sedan		Wagon		
STi	RS, WRX	TS, WRX	OUTBACK	
629 (24.76)	639 (25.16)	639 (25.16)	649 (25.55)	21 (0.83)