

# HEADLIGHT BULB

## LIGHTING SYSTEM

### 12. Headlight Bulb

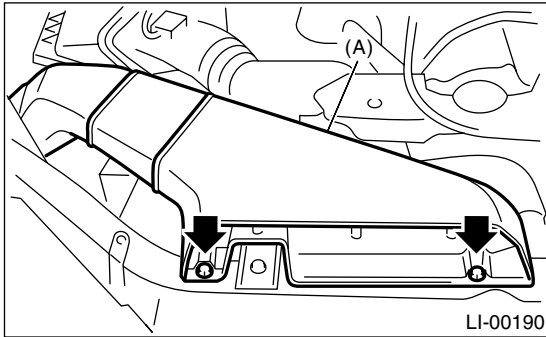
#### A: REMOVAL

##### 1. HIGH BEAM AND HALOGEN TYPE LOW BEAM

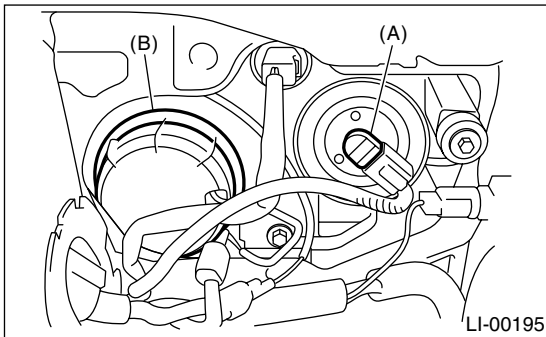
###### CAUTION:

- Because the tungsten halogen bulb operates at a high temperature, dirt and oil on the bulb surface reduces the bulb's service life. Hold the flange portion when replacing the bulb. Never touch the glass portion.
- Do not leave the headlight without a bulb for a long time. Dust, moisture, etc. entering the headlight may affect its performance.

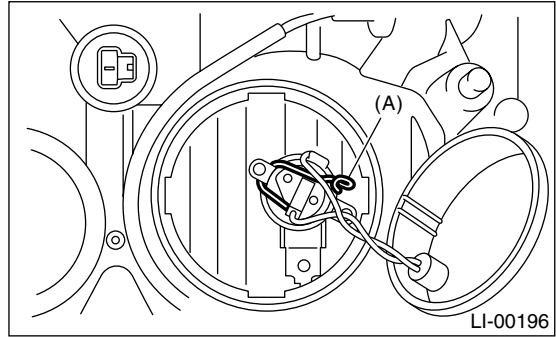
- 1) Disconnect the ground cable from battery.
- 2) Remove the air intake duct (A) (when right side headlight bulb is removed).



- 3) Disconnect the harness connector.
- 4) Remove the bulb ASSY (A): high beam. To remove the low beam, remove the back cover (B), and then go to Step 5.



- 5) Remove the light bulb retaining spring (A) to remove the bulb.

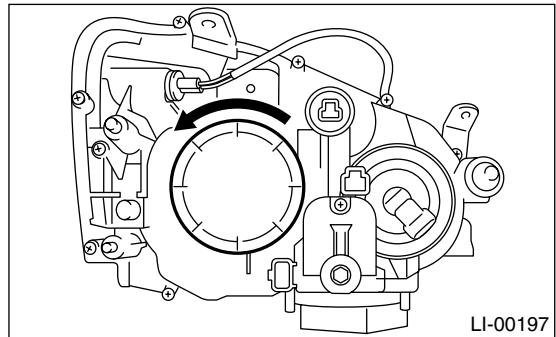


##### 2. HID TYPE LOW BEAM

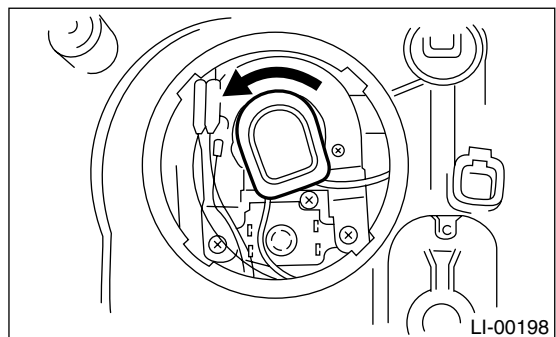
###### CAUTION:

- Do not operate with wet hands.
- As the lightening circuit uses high voltage, be sure to confirm that the power supply is turned off before operation.
- When replacing the bulb, hold the flange portion and never touch the glass portion.
- Do not leave the headlight without a bulb for a long time. Dust, and moisture, etc. entering the headlight may affect its performance.

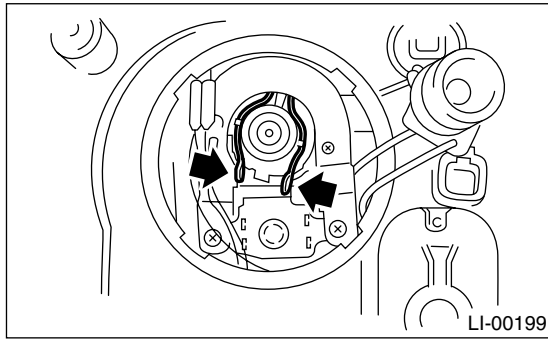
- 1) Remove the ground cable from battery.
- 2) Remove the headlight assembly. <Ref. to LI-14, HID TYPE LOW BEAM, REMOVAL, Headlight Bulb.>
- 3) Remove the back cover.



- 4) Disconnect the harness connector.



5) Remove the light bulb retaining spring, and then remove the bulb.



## B: INSTALLATION

Install in the reverse order of removal.

### CAUTION:

**Attach the rubber cap with letters TOP on the top so the drain hole will be on the lower side.**

## C: INSPECTION

### 1. HALOGEN TYPE

- 1) Visually check the bulb for blow out.
- 2) Check the bulb specification. <Ref. to LI-2, SPECIFICATIONS, General Description.>
- 3) If NG, replace the bulb with a new one.

### 2. HID TYPE

#### CAUTION:

- Do not operate with wet hands.
- Do not touch the harness, inner headlight, or any metallic portion of the headlight when the light is illuminated (when the lighting switch is turned on).
- When performing a lighting test, make sure that the headlight is mounted on the vehicle, and the power supply is connected to the connector on the vehicle's side.

- 1) Check the bulb specification. <Ref. to LI-2, SPECIFICATIONS, General Description.>
- 2) Use a normal HID bulb for headlight lighting test.
- 3) If the headlight does not illuminate, replace the bulb with a new one. <Ref. to LI-15, DISPOSAL, Headlight Bulb.>

## D: DISPOSAL

### 1. HID TYPE

#### CAUTION:

**HID type light bulb contains mercury. Dispose the bulb according to regional regulation and contact SOA Service Center.**