

# REAR COMBINATION LIGHT ASSEMBLY

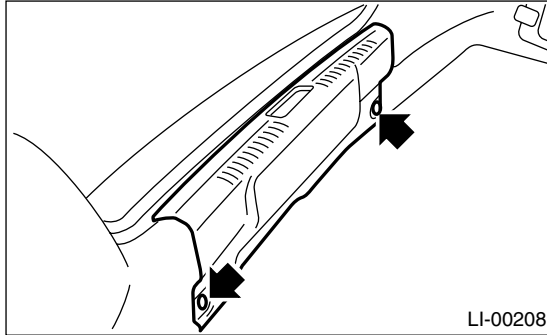
## LIGHTING SYSTEM

### 17. Rear Combination Light Assembly

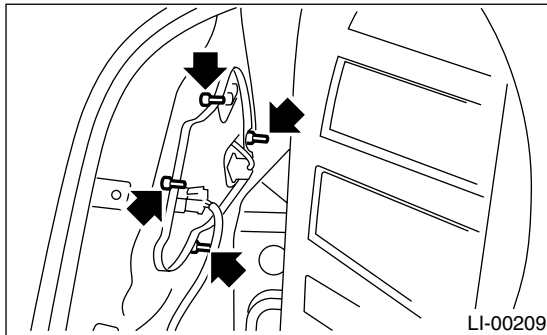
#### A: REMOVAL

##### 1. SEDAN

- 1) Disconnect the ground cable from battery.
- 2) Remove the clips, and then detach the trunk rear trim.

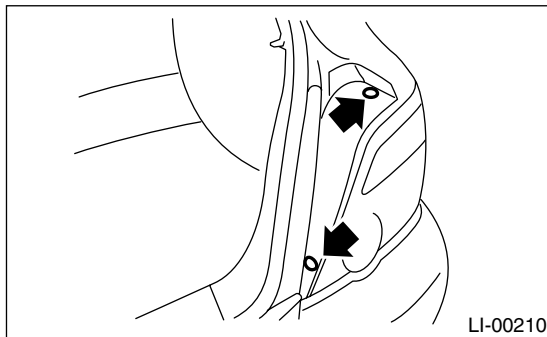


- 3) Remove the trunk side trim of rear portion.
- 4) Remove the four nuts, and then detach the rear combination light while disconnecting connector.

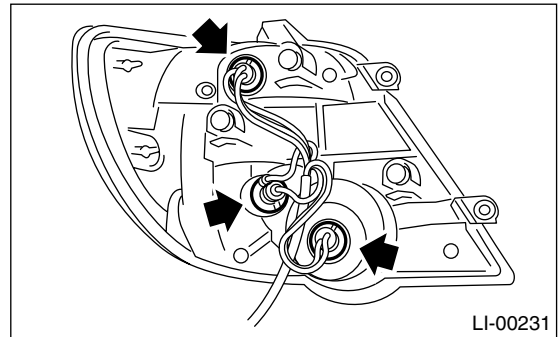
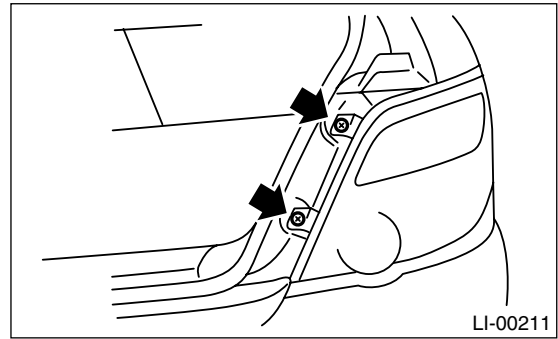


##### 2. WAGON

- 1) Disconnect the ground cable from battery.
- 2) Remove the clips, and then detach the rear combination light covers.



- 3) Remove two bolts, and then remove the rear combination light while disconnecting connector.



#### B: INSTALLATION

Install in the reverse order of removal.