

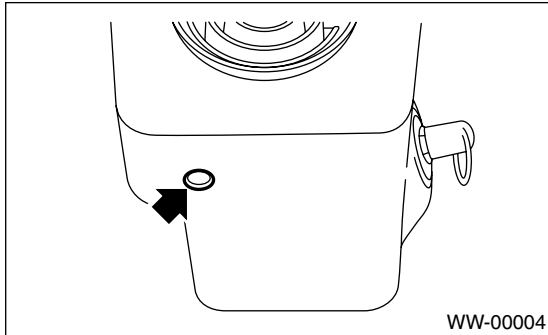
COMBINATION SWITCH (WIPER)

WIPER AND WASHER SYSTEMS

3. Combination Switch (Wiper)

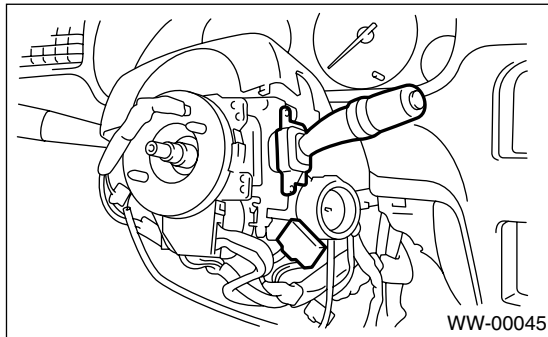
A: REMOVAL

1) Loosen the screw to remove steering column cover.



2) Disconnect the connectors from combination switches.

3) Loosen the screw to remove combination switch.

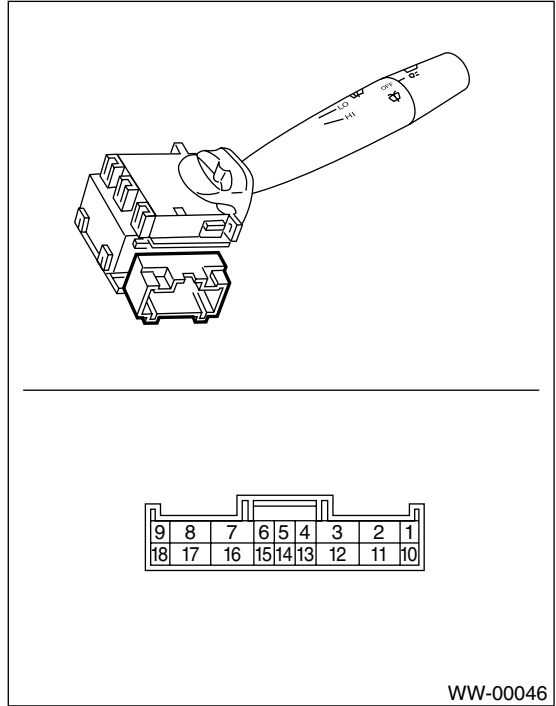


B: INSTALLATION

Install in the reverse order of removal.

C: INSPECTION

• Inspect the continuity between each connector terminal.



	Switch position	Terminal No.	Standard
FRONT	OFF	7 and 16	Less than 1 Ω
	INT	7 and 16	Less than 1 Ω
	LO	7 and 17	Less than 1 Ω
	HI	8 and 17	Less than 1 Ω
	Washer ON	2 and 11	Less than 1 Ω
REAR	Washer ON	2 and 10 10 and 12 2 and 12	Less than 1 Ω
	OFF	—	More than 1 MΩ
	ON	2 and 10	Less than 1 Ω
	Washer ON	2 and 10 10 and 12 2 and 12	Less than 1 Ω

If continuity is not as specified, replace the switch.

- Intermittent operation inspection
 - 1) Turn the wiper switch to INT.
 - 2) Adjust the intermittent control switch to MAX.
 - 3) Apply battery voltage to switch terminals 16 and 2.
 - 4) Inspect the voltage of combination switch terminals.

COMBINATION SWITCH (WIPER)

WIPER AND WASHER SYSTEMS

Terminals

No. 7 — No. 2:

(A)	(B)
(C)	
(D)	
(E)	

WW-00053

- (A) Switch position
- (B) Voltage
- (C) MIN.
- (D) MAX.

- (E) Non variable type
- (F) 12 V
- (G) 0 V
- (H) Approx. 2 sec.

- (I) 16±6 sec.
- (J) 3±1 sec.

If operation is not as specified, replace the switch.