

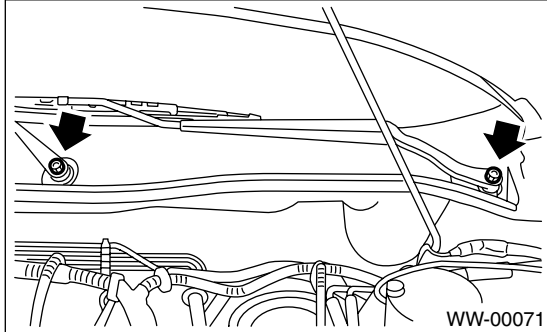
# FRONT WIPER ARM

## WIPER AND WASHER SYSTEMS

### 6. Front Wiper Arm

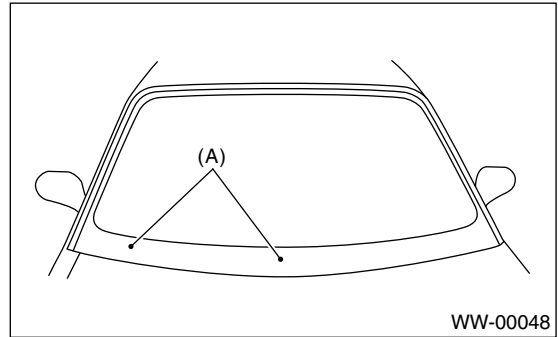
#### A: REMOVAL

- 1) Open the hood.
- 2) Remove the cap.
- 3) Loosen the nut to remove arm.



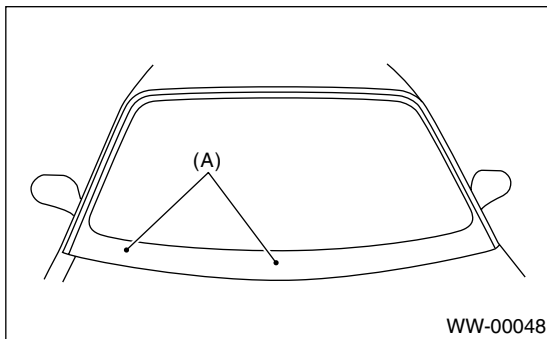
#### C: ADJUSTMENT

Operate the wiper once. Align the wiper blade to the ceramic print point mark (A) of front window panel.



#### B: INSTALLATION

- 1) Install in the reverse order of removal.
- 2) Operate the wiper once.
- 3) Align the wiper blade to the ceramic print point mark (A) of front window panel.



#### Tightening torque:

Refer to **COMPONENT** in *General Description*.

<Ref. to WW-2, **FRONT WIPER**,  
**COMPONENT**, *General Description*.>