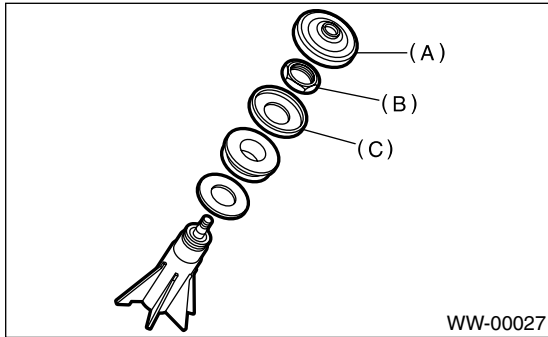


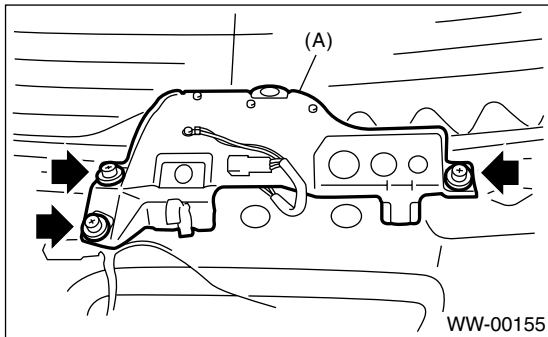
## 10. Rear Wiper Motor

### A: REMOVAL

- 1) Disconnect the ground cable from battery.
- 2) Remove the rear wiper arm.
- 3) Remove the cap (A), nut (B) and spacer (C) from rear wiper shaft.

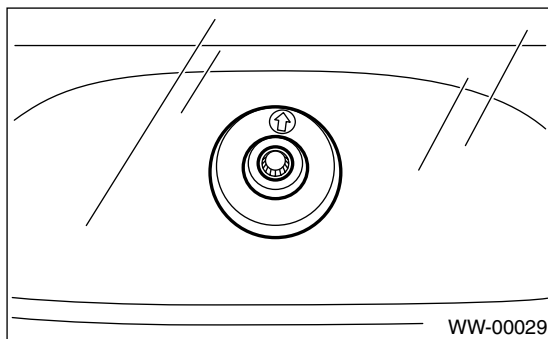


- 4) Remove the rear gate lower trim. <Ref. to EI-53, REMOVAL, Rear Gate Trim.>
- 5) Unclip the clip of harness, and then disconnect the connector of wiper motor.
- 6) Loosen the bolts to remove the wiper motor assembly (A).



### B: INSTALLATION

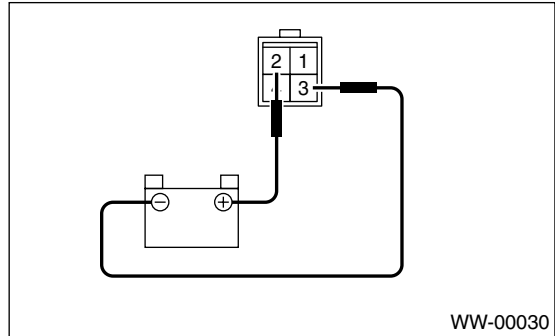
- 1) Install in the reverse order of removal.
- 2) Install the rear wiper cushion with the arrow mark facing up, as shown in the figure.



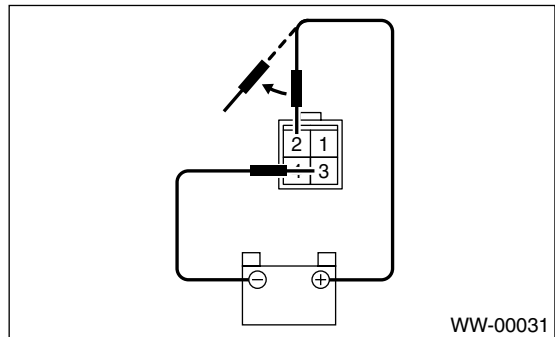
**Tightening torque:**  
 Refer to **COMPONENT** in **General Description**.  
 <Ref. to WW-3, REAR WIPER, COMPONENT, General Description.>

### C: INSPECTION

- 1) Connect the battery to wiper motor connector and confirm that the wiper motor operates.



- 2) Connect the battery to terminal of connector, and then remove the terminal connections with motor rotated, and stop the wiper motor through operation.



- 3) Connect the battery and confirm that the motor stops at automatic stop position after the motor operates at low speed again.

