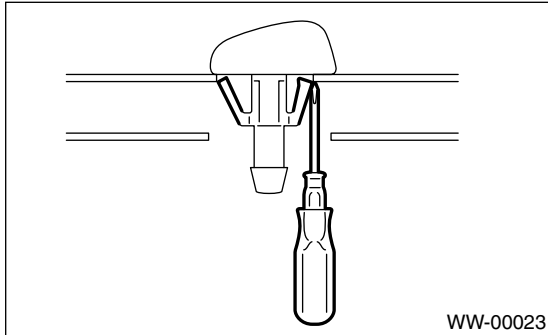


11.Rear Washer

A: REMOVAL

- 1) Remove the high-mount stop light. <Ref. to LI-25, REMOVAL, High-mounted Stop Light.>
- 2) Remove the washer hose from washer nozzle.
- 3) Open the clips on the underside of hood with a thin screwdriver or other tool, and then remove the washer nozzle.



B: INSTALLATION

- 1) Install in the reverse order of removal.
- 2) Adjust the position of the washer liquid sprayer. <Ref. to WW-18, ADJUSTMENT, Rear Washer.>

C: INSPECTION

- Make sure the nozzle and hose are not clogged.
- Make sure the hose is not bent.

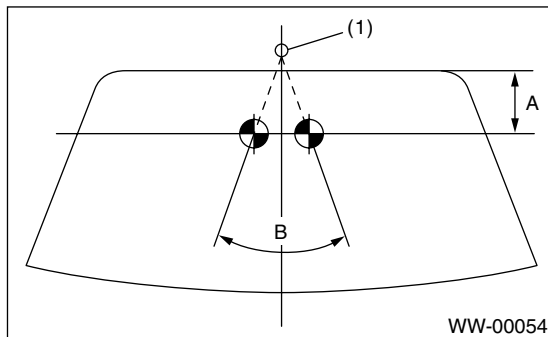
D: ADJUSTMENT

- 1) Turn the wiper switch to OFF position.
- 2) When the vehicle stops, adjust the washer injection position as shown in the figure.

Injection position:

A: 39 mm (1.54 in)

B: 72°



(1) Nozzle