

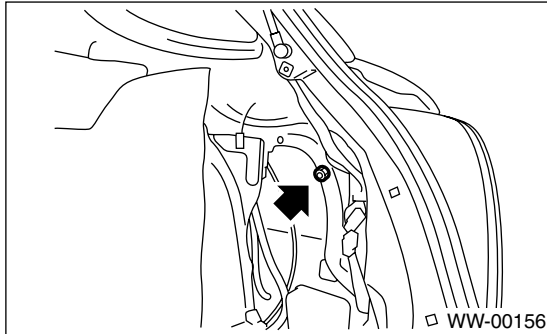
# WIPER CONTROL RELAY (WAGON MODEL)

WIPER AND WASHER SYSTEMS

## 12. Wiper Control Relay (Wagon Model)

### A: REMOVAL

- 1) Disconnect the ground cable from battery.
- 2) Remove the right quarter lower trim. <Ref. to EI-49, REMOVAL, Rear Quarter Trim.>
- 3) Loosen the nut to remove control unit.

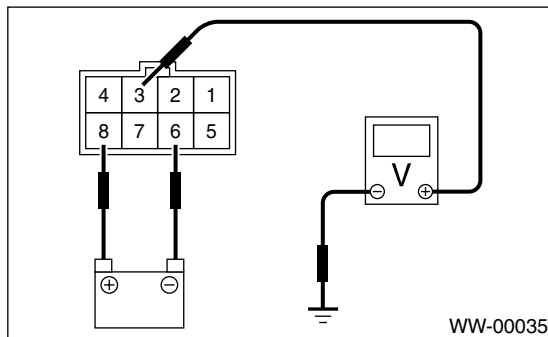


### B: INSTALLATION

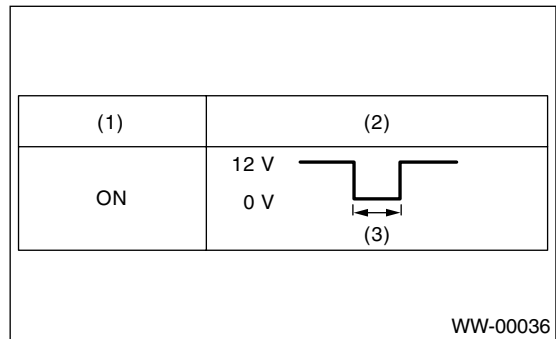
Install in the reverse order of removal.

### C: INSPECTION

- 1) Disconnect the connector from wiper control relay.
- 2) Connect the positive (+) lead from the battery to terminal 8 and the negative (-) lead to terminal 6. Connect the positive (+) lead from the voltmeter to terminal 3 and the negative (-) lead to ground.



- 3) Measure the voltage when the wiper relay is operated.



- (1) Switch position
- (2) Voltage
- (3)  $9 \pm 2$  sec.

If operation is not as specified, replace the switch.

# WIPER CONTROL RELAY (WAGON MODEL)

WIPER AND WASHER SYSTEMS

---