

2. Horn System

A: SCHEMATIC

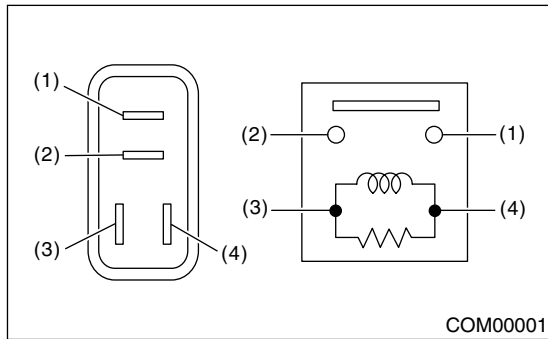
1. HORN

<Ref. to WI-122, SCHEMATIC, Horn System.>

B: INSPECTION

1. HORN RELAY

Measure the horn relay resistance between terminals (indicated in table below) when connecting the terminal No. 4 to battery positive terminal and terminal No. 3 to battery ground cable.



Current	Terminal No.	Standard
Flow	1 and 2	Less than 1 Ω
No Flow		More than 1 M Ω