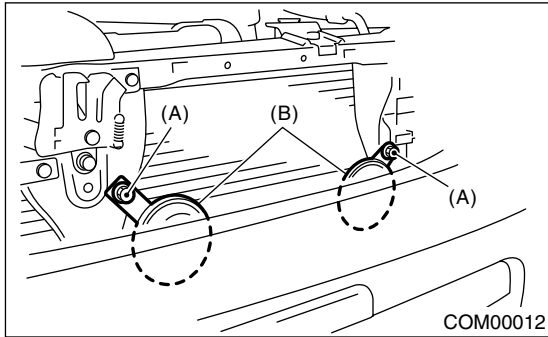


3. Horn

A: REMOVAL

- 1) Disconnect the ground cable from battery.
- 2) Remove the horn bracket mounting bolt (A).
- 3) Disconnect the harness connector and remove the horn assembly (B).



B: INSTALLATION

Install in the reverse order of removal.

C: INSPECTION

With 12 V direct current supplied between horn terminal and case ground, check that the horn sounds properly.

