

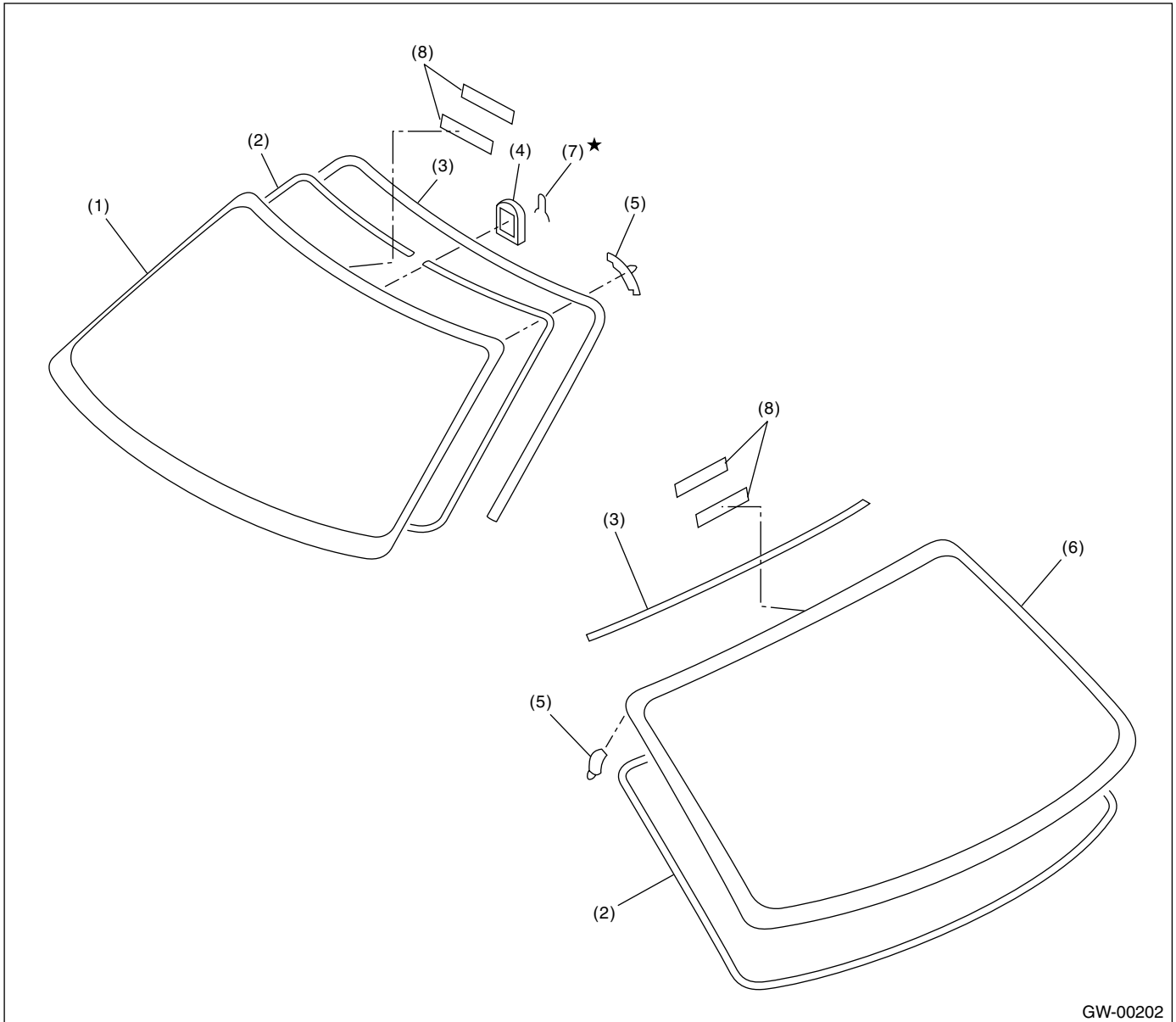
GENERAL DESCRIPTION

GLASS/WINDOWS/MIRRORS

1. General Description

A: COMPONENT

1. FIXED GLASS (SEDAN MODEL)



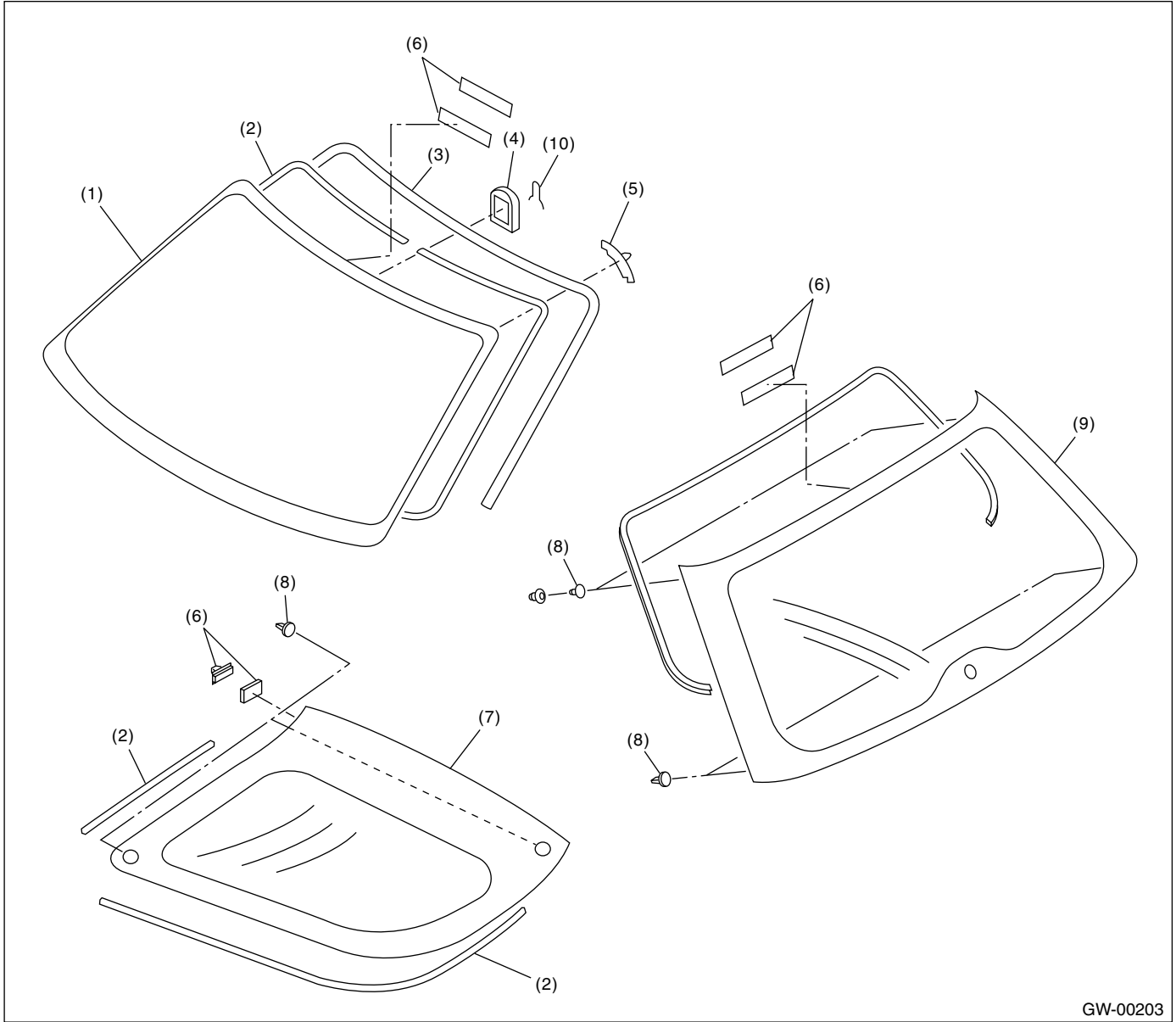
GW-00202

- (1) Windshield glass
- (2) Dam rubber
- (3) Molding

- (4) Rearview mirror mount
- (5) Locate pin
- (6) Rear window glass

- (7) Spring
- (8) Fastener

2. FIXED GLASS (WAGON MODEL)



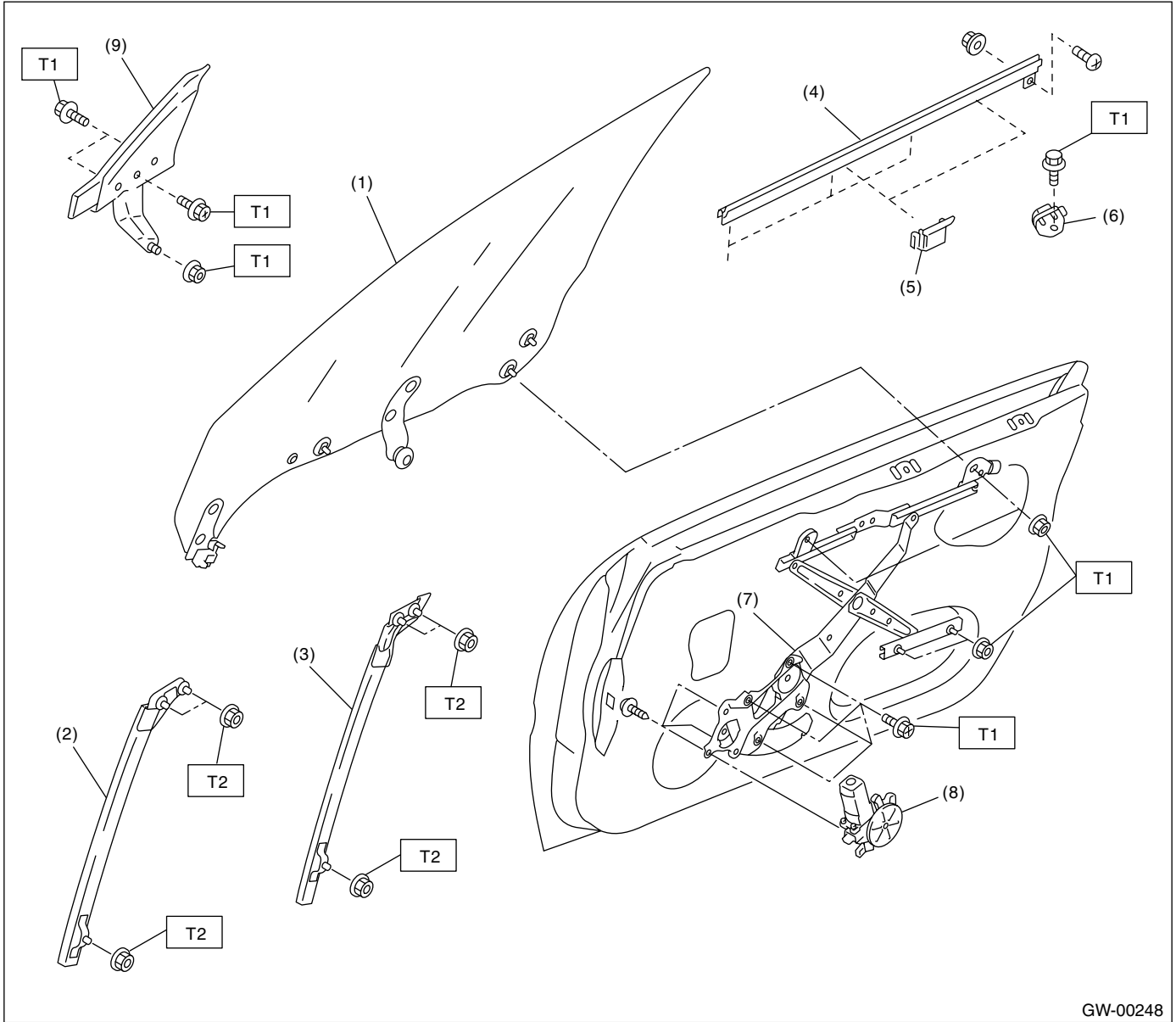
GW-00203

- | | | |
|---------------------------|------------------------|-------------|
| (1) Windshield glass | (5) Locate pin | (9) Glass |
| (2) Dam rubber | (6) Fastener | (10) Spring |
| (3) Molding | (7) Rear quarter glass | |
| (4) Rearview mirror mount | (8) Locate pin | |

GENERAL DESCRIPTION

GLASS/WINDOWS/MIRRORS

3. FRONT DOOR GLASS



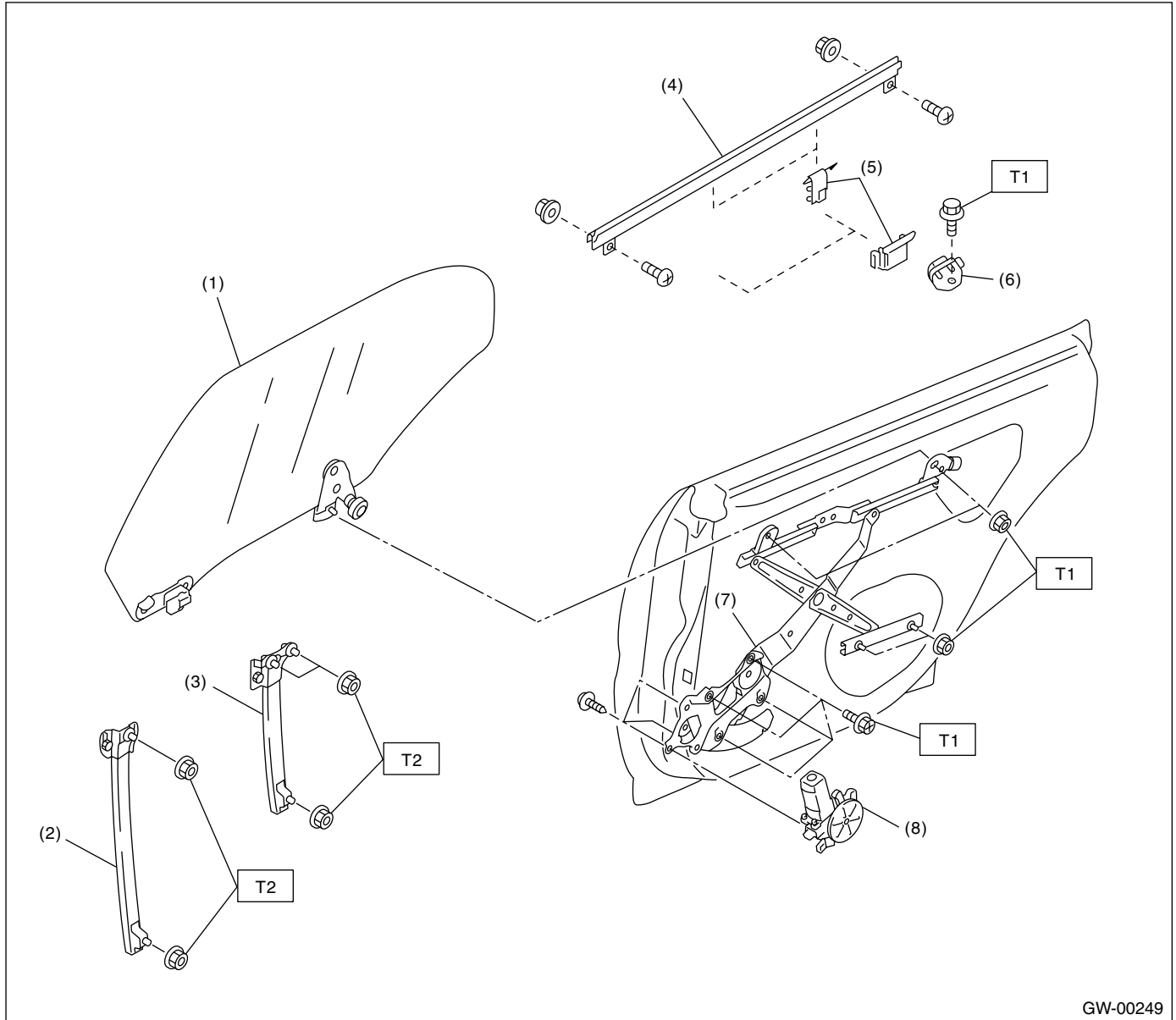
- | | |
|------------------------|------------------------|
| (1) Glass | (6) Stabilizer (Inner) |
| (2) Door sash (Front) | (7) Regulator ASSY |
| (3) Door sash (Rear) | (8) Motor ASSY |
| (4) Weather strip | (9) Mirror gusset |
| (5) Stabilizer (Outer) | |

Tightening torque: N-m (kgf-m, ft-lb)

T1: 7.4 (0.75, 5.5)

T2: 13.7 (1.4, 10.1)

4. REAR DOOR GLASS



GW-00249

- | | |
|-----------------------|------------------------|
| (1) Glass | (5) Stabilizer (Outer) |
| (2) Door sash (Front) | (6) Stabilizer (Inner) |
| (3) Door sash (Rear) | (7) Regulator ASSY |
| (4) Weather strip | (8) Motor ASSY |

Tightening torque: N-m (kgf-m, ft-lb)

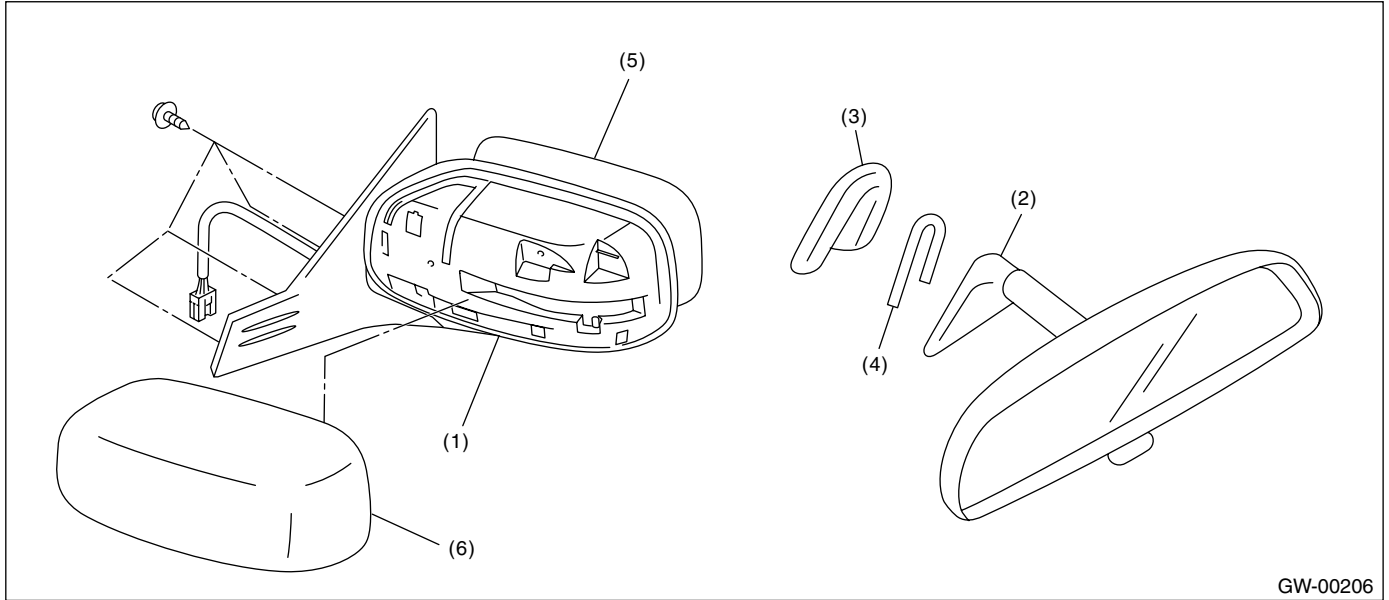
T1: 7.4 (0.75, 5.5)

T2: 13.7 (1.4, 10.1)

GENERAL DESCRIPTION

GLASS/WINDOWS/MIRRORS

5. MIRRORS



GW-00206

- (1) Outer mirror
- (2) Inner rearview mirror

- (3) Mount
- (4) Spring

- (5) Mirror
- (6) Scalp cap

B: CAUTION

- When the electrical connectors are disconnected, always conduct an operational check after connecting them again.
- Avoid impact and damage to glass.

C: PREPARATION TOOL

| TOOL NAME | REMARKS |
|------------------|---|
| Circuit Tester | Used for checking voltage and continuity. |
| Piano Wire | Used for window glass removal. |
| Windshield Knife | Used for window glass removal. |