

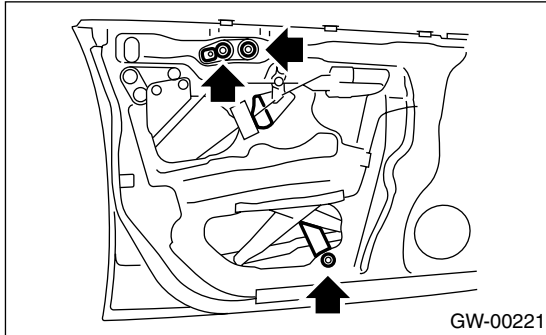
FRONT REGULATOR AND MOTOR ASSEMBLY

GLASS/WINDOWS/MIRRORS

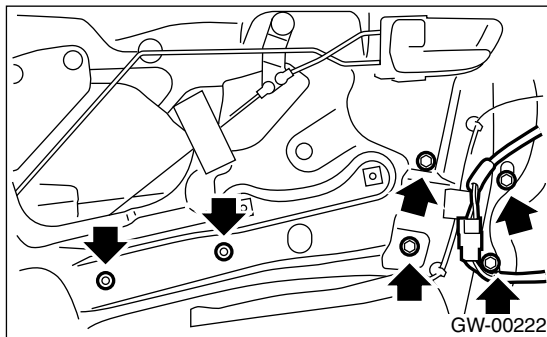
5. Front Regulator and Motor Assembly

A: REMOVAL

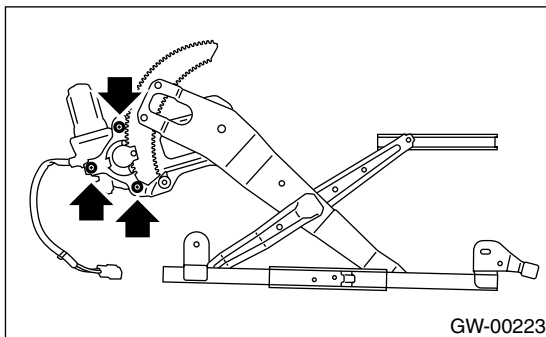
- 1) Remove the door glass. <Ref. to GW-10, REMOVAL, Front Door Glass.>
- 2) Loosen the nuts to remove the rear sash.



- 3) Disconnect the motor connector.
- 4) Loosen the four bolts and two nuts to remove the regulator assembly.



- 5) Loosen the screw to remove motor assembly.



B: INSTALLATION

- 1) Install in the reverse order of removal.
- 2) Adjust the front door glass. <Ref. to GW-11, ADJUSTMENT, Front Door Glass.>

Tightening torque:

Refer to COMPONENT in General Description. <Ref. to GW-4, FRONT DOOR GLASS, COMPONENT, General Description.>

C: INSPECTION

- 1) Make sure the power window motor rotates properly when battery voltage is applied to the terminals of motor connector.
- 2) Change polarity of battery connections to terminals to ensure the motor rotates in reverse direction.