

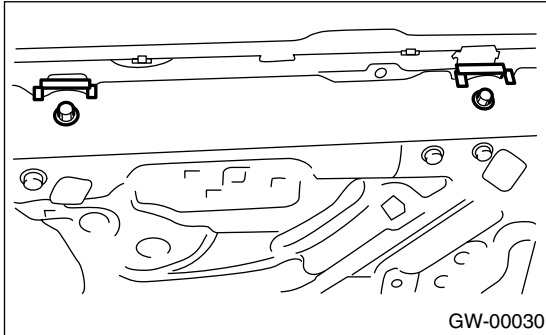
REAR DOOR GLASS

GLASS/WINDOWS/MIRRORS

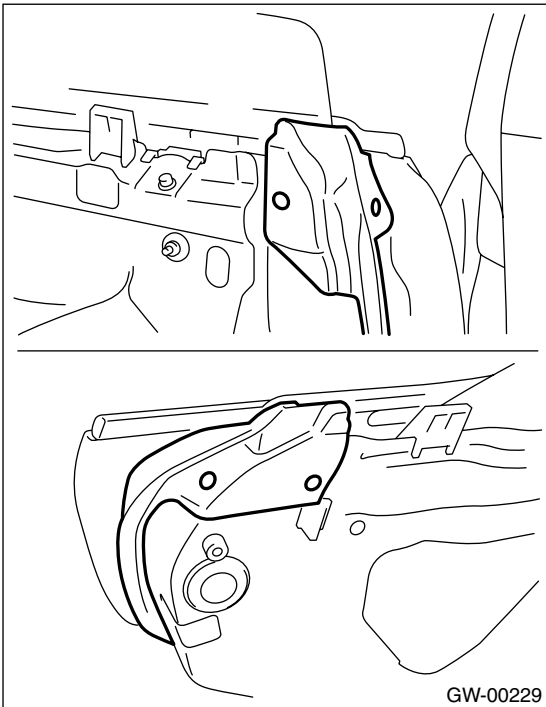
11. Rear Door Glass

A: REMOVAL

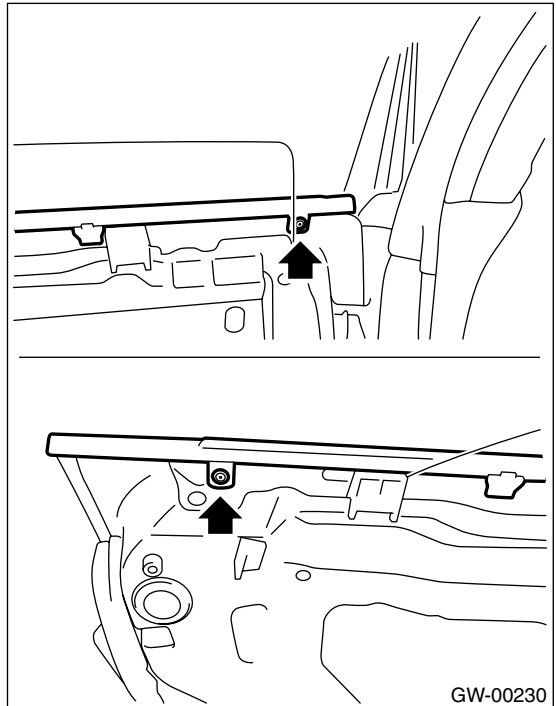
- 1) Remove the rear door trim. <Ref. to EI-39, REMOVAL, Rear Door Trim.>
- 2) Remove the sealing cover. <Ref. to EB-20, REMOVAL, Rear Sealing Cover.>
- 3) Remove the stabilizer and trim hook.



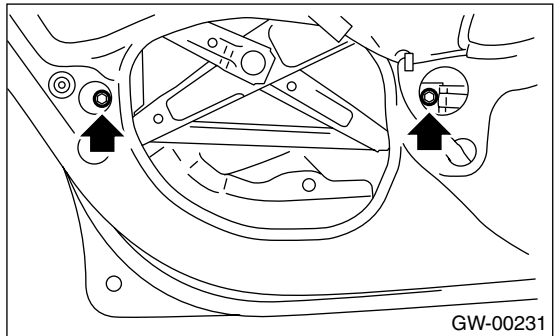
- 4) Remove the front end and rear end of door weather strip.



- 5) Loosen the two screws to remove the weather strip outer.



- 6) Operate the power window switch to move the glass to position shown in the figure, and then remove two nuts from service holes.



- 7) Loosen the two rear sash installation nuts, and then move the rear sash backward.
- 8) Remove the glass.

CAUTION:
Avoid impact and damage to the glass.

B: INSTALLATION

1) Install in the reverse order of removal.

NOTE:

Make sure the glass stay is placed securely in sash.

2) Adjust the rear door glass. <Ref. to GW-21, ADJUSTMENT, Rear Door Glass.>

Tightening torque:

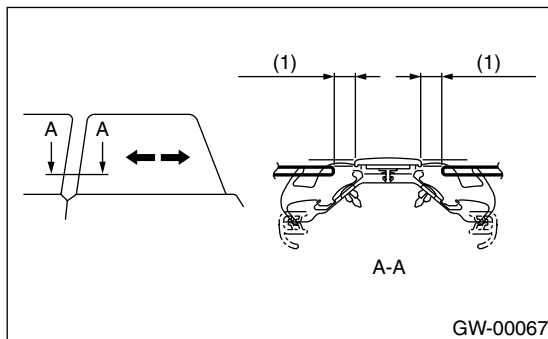
Refer to COMPONENT in General Description. <Ref. to GW-5, REAR DOOR GLASS, COMPONENT, General Description.>

C: ADJUSTMENT

NOTE:

The rear door glass, as a rule, should be adjusted in the same manner as front door glass, although they are different in dimension. Special notes for the rear glass are given below.

1) Adjust the glass position using the following dimensions as a guide line.

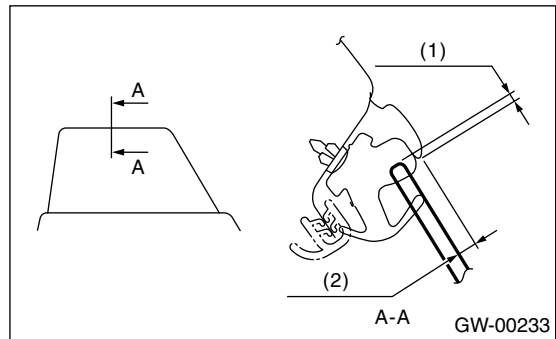


(1) 12 mm (0.472 in)

NOTE:

- If the dimensions are smaller than the given dimensions, glass may get caught in weather strip during lifting/lowering operation. In the worst case, it may cause the glass not to be opened fully.
- After adjustment, move the glass up and down to check whether it is caught.

2) Adjust the contact degree of glass using the following dimensions as a guide line.



(1) 2 — 3 mm (0.079 — 0.118 in)

(2) 6 mm (0.236 in)

NOTE:

- If the contact degree of rear glass is higher than necessary, glass may get caught in weather strip of center pillar corner, resulting in early wear of weather strip. Be careful when adjusting.
- After adjustment, move the glass up and down to check whether it is caught.