

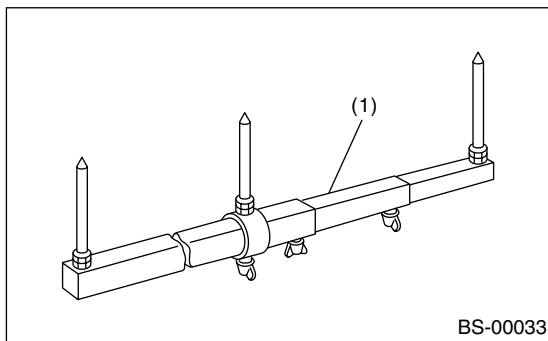
3. Datum Dimensions

A: MEASUREMENT

Refer to LOCATION for details on measurement points. <Ref. to BS-3, LOCATION.>

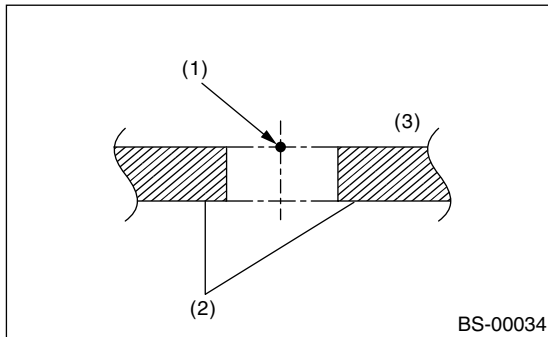
NOTE:

- Using a tram tracking gauge, measure all the dimensions.
- When using a tape measure, carefully measure dimensions without letting the tape measure sag or twist.
- Measure the linear dimensions between cores of holes.
- Suffixes “RH” and “LH” indicate right-hand and left-hand.



(1) Tram tracking gauge

- Measure at the center of the circle around the outside of the body panel.

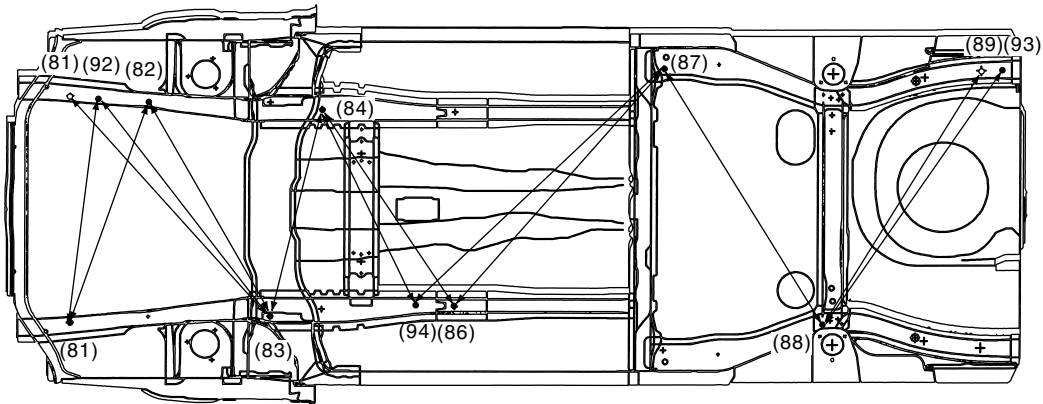
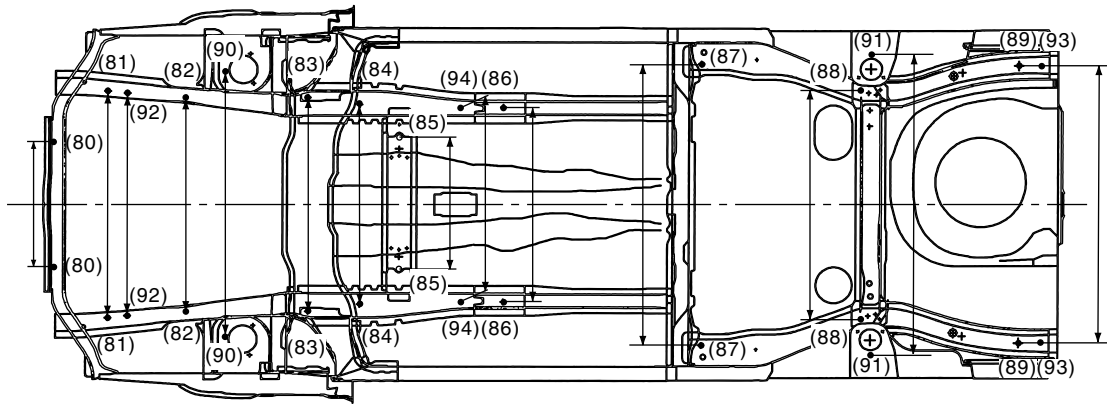
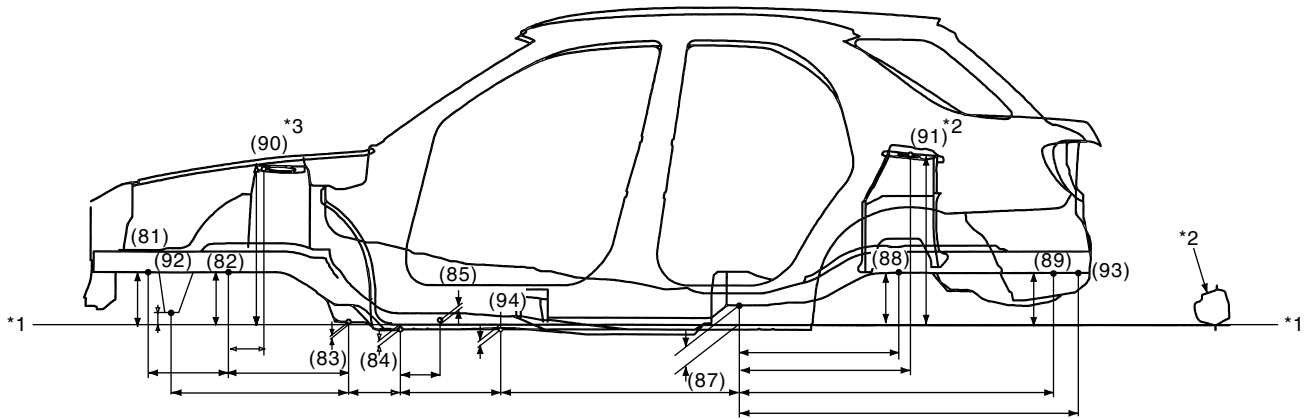


- (1) Datum point
- (2) Body panel
- (3) Outside

DATUM DIMENSIONS

BODY STRUCTURE

1. CENTER STRUCTURE



BS-00633

- *1: Standard line
- *2: Side sill
- *3: Upper surface

DATUM DIMENSIONS

BODY STRUCTURE

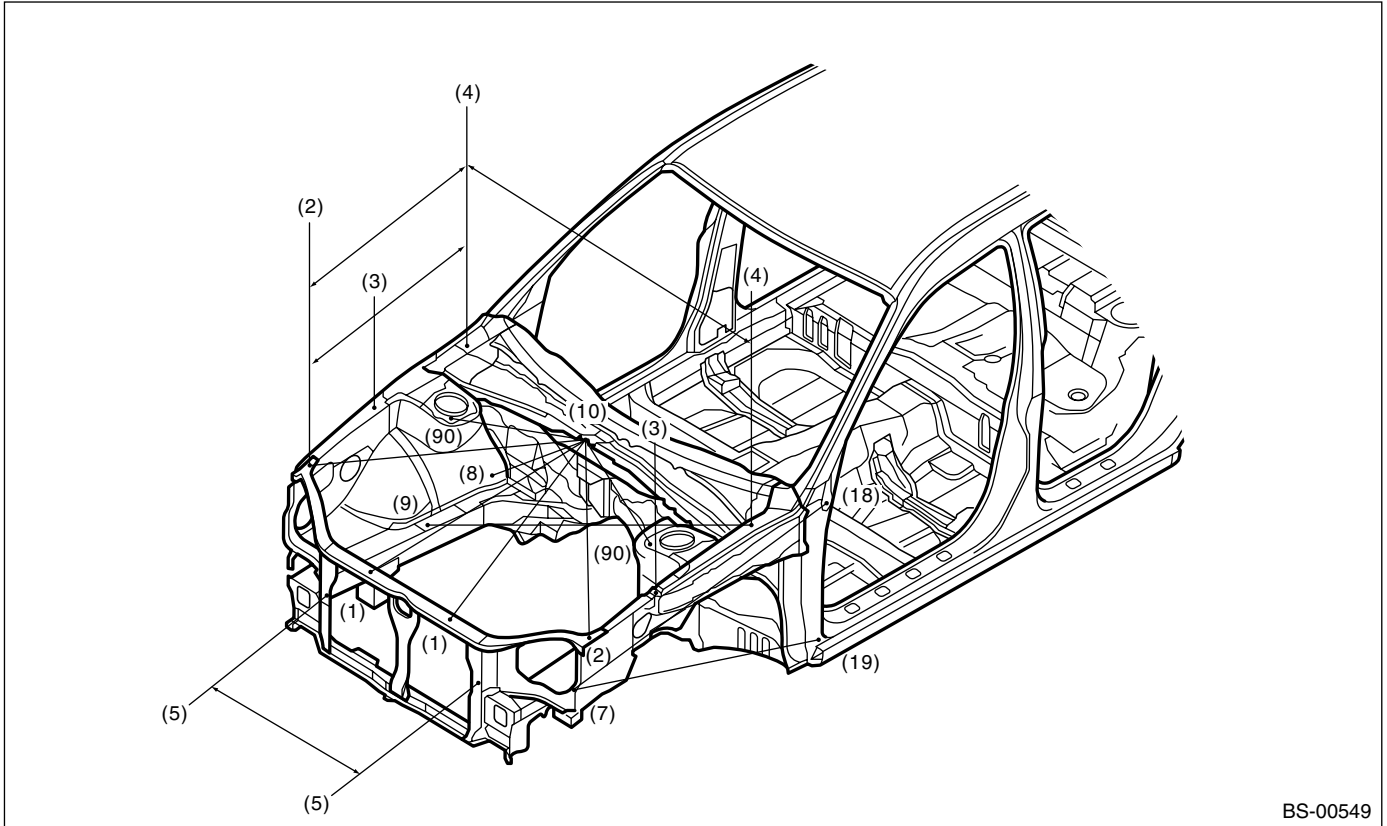
Unit: mm (in)

Point to point	Dimension	Point to point	Dimension
(81) from standard line	206 (8.11)	(92) RH to (92) LH	906 (35.67)
(92) from standard line	77 (3.03)	(82) RH to (82) LH	860 (33.86)
(82) from standard line	206 (8.11)	(90) RH to (90) LH	1,065 (41.93)
(90) from standard line	620 (24.41)	(83) RH to (83) LH	856 (33.70)
(83) from standard line	8 (0.31)	(84) RH to (84) LH	800 (31.50)
(84) from standard line	20 (0.79)	(85) RH to (85) LH	529 (20.83)
(85) from standard line	13 (0.51)	(94) RH to (94) LH	776 (30.55)
(94) from standard line	12 (0.47)	(86) RH to (86) LH	780 (30.71)
(87) from standard line	76 (2.99)	(87) RH to (87) LH	1,128 (44.41)
(88) from standard line	206 (8.11)	(88) RH to (88) LH	920 (36.22)
(91) from standard line	674 (26.54)	(91) RH to (91) LH	1,205 (47.44)
(89) from standard line	205 (8.07)	(89) RH to (89) LH	1,110 (43.70)
(81) to (82)	317 (12.48)	(93) RH to (93) LH	1,110 (43.70)
(82) to (90)	157 (6.18)	(81) LH to (92) RH	924 (36.38)
(82) to (83)	485 (19.09)	(81) LH to (82) RH	940 (37.01)
(92) to (83)	694 (27.32)	(81) RH to (83) LH	1,209 (47.60)
(83) to (84)	206 (8.11)	(92) RH to (83) LH	1,124 (44.25)
(84) to (85)	159 (6.26)	(82) RH to (83) LH	1,005 (39.57)
(84) to (94)	380 (14.96)	(83) LH to (84) RH	854 (33.62)
(94) to (87)	982 (38.66)	(84) RH to (94) LH	875 (34.45)
(87) to (88)	633 (24.92)	(84) RH to (86) LH	951 (37.44)
(87) to (91)	673 (26.50)	(94) LH to (87) RH	1,371 (53.98)
(87) to (89)	1,258 (49.53)	(86) LH to (87) RH	1,269 (49.96)
(87) to (93)	1,358 (53.46)	(87) RH to (88) LH	1,211 (47.68)
(80) RH to (80) LH	500 (19.69)	(88) LH to (89) RH	1,192 (46.93)
(81) RH to (81) LH	910 (35.83)	(88) LH to (93) RH	1,247 (49.09)

DATUM DIMENSIONS

BODY STRUCTURE

2. WAGON MODEL/SEDAN MODEL (FRONT STRUCTURE)



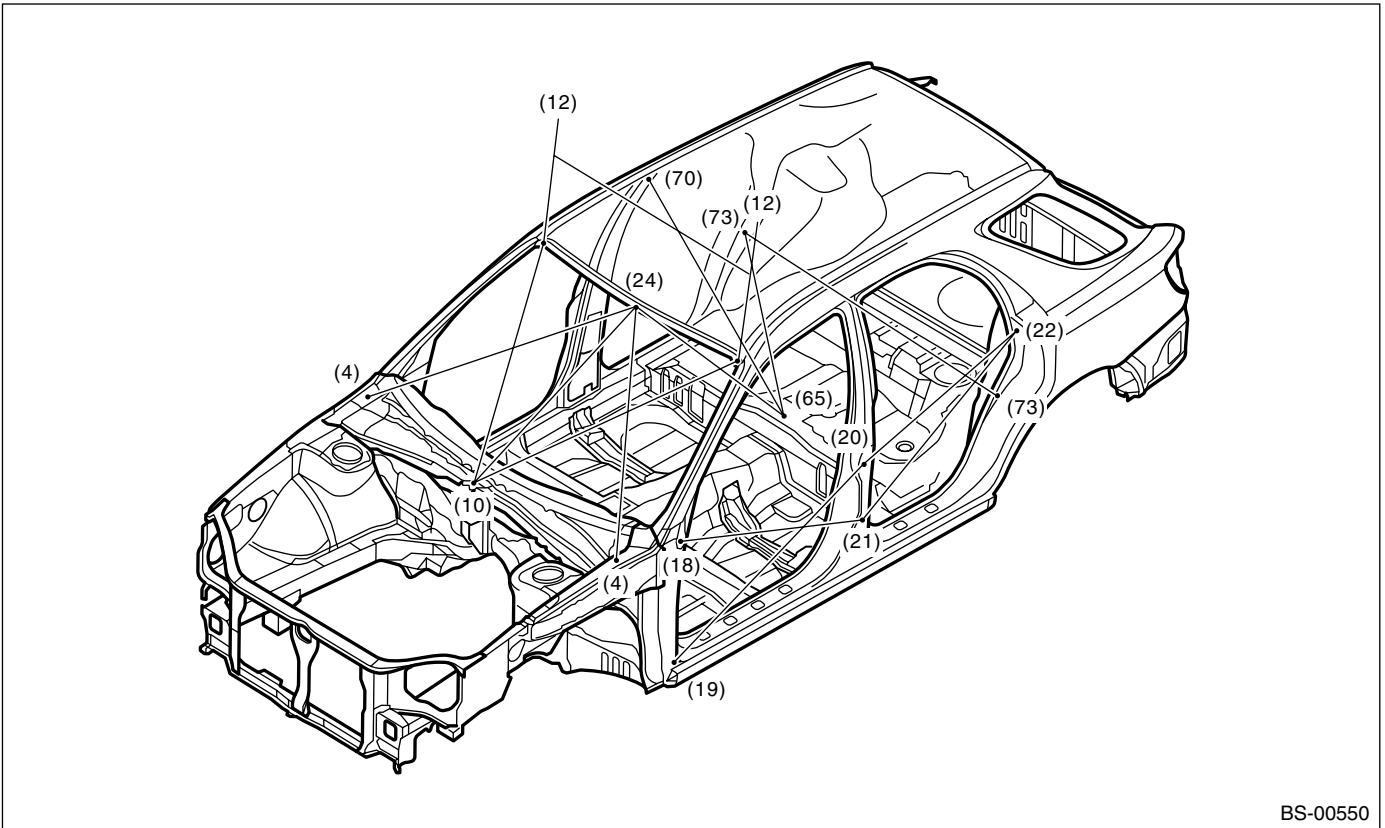
BS-00549

Unit: mm (in)

Point to point	Dimension	Point to point	Dimension
(10) to (1) RH	912 (35.91)	(2) RH to (2) LH	1,341 (52.80)
(10) to (1) LH	912 (35.91)	(5) RH to (5) LH	720 (28.35)
(10) to (90) RH	566 (22.28)	(7) RH to (18) RH	1,107 (43.58)
(10) to (90) LH	566 (22.28)	(7) LH to (18) LH	1,107 (43.58)
(10) to (8) RH	581 (22.87)	(7) RH to (19) RH	1,105 (43.50)
(10) to (8) LH	581 (22.87)	(7) LH to (19) LH	1,105 (43.50)
(10) to (2) RH	948 (37.32)	(4) RH to (2) LH	1,583 (62.32)
(10) to (2) LH	948 (37.32)	(4) LH to (2) RH	1,583 (62.32)
(4) RH to (2) RH	779 (30.67)	(3) RH to (3) LH	1,396 (54.96)
(4) LH to (2) LH	779 (30.67)	(3) RH to (4) LH	1,470 (57.87)
(4) RH to (3) RH	430 (16.93)	(3) LH to (4) RH	1,470 (57.87)
(4) LH to (3) LH	430 (16.93)	(2) RH to (3) LH	1,412 (55.59)
(90) RH to (90) LH	1,065 (41.93)	(2) LH to (3) RH	1,412 (55.59)
(8) RH to (8) LH	894 (35.20)	(9) RH to (9) LH	860 (33.86)
(8) RH to (4) LH	1,210 (47.64)	(9) RH to (8) LH	931 (36.65)
(8) LH to (4) RH	1,210 (47.64)	(9) LH to (8) RH	931 (36.65)
(3) RH to (2) RH	350 (13.78)	(9) RH to (4) LH	1,280 (50.39)
(3) LH to (2) LH	350 (13.78)	(9) LH to (4) RH	1,280 (50.39)
(4) RH to (4) LH	1,417 (55.79)	—	—

DATUM DIMENSIONS

BODY STRUCTURE



BS-00550

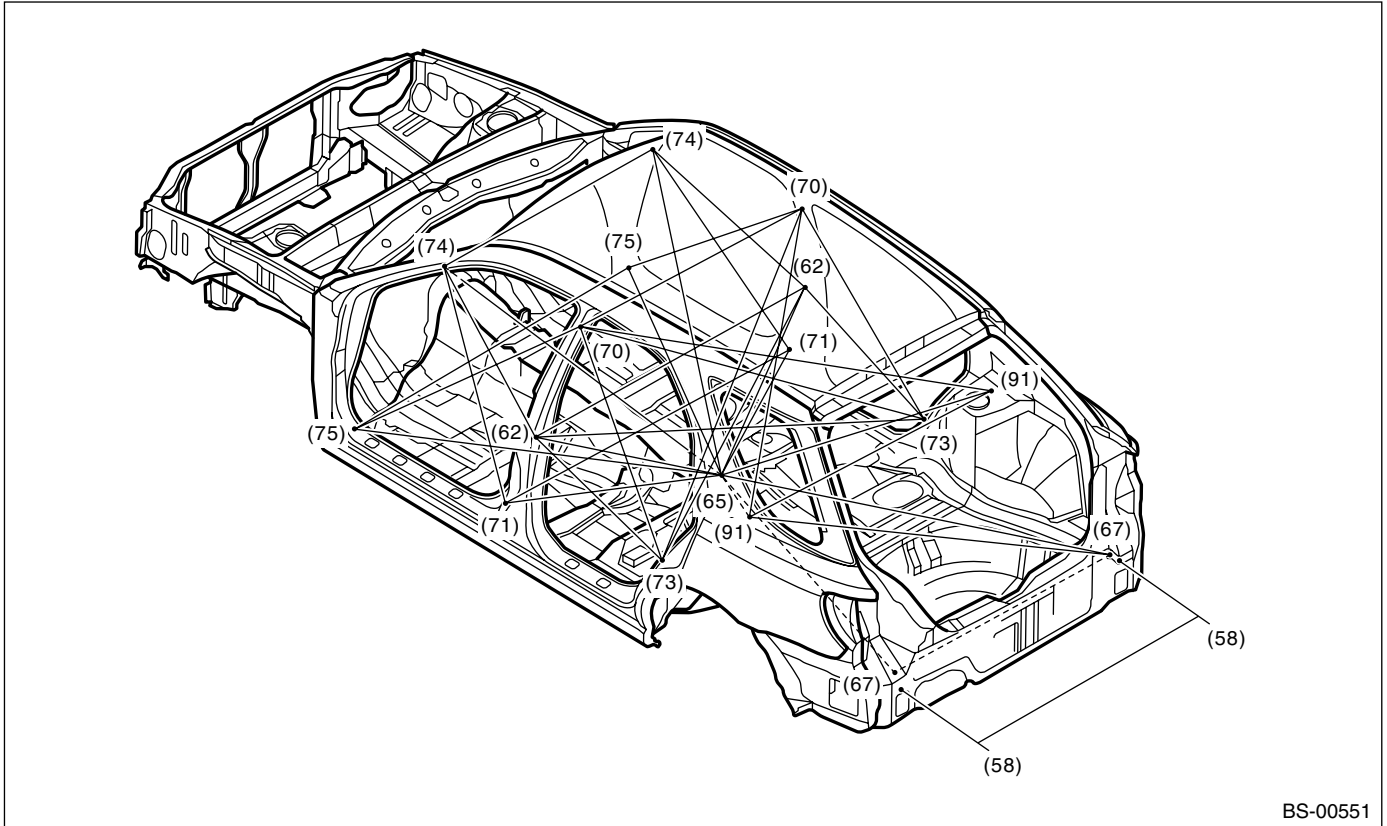
Unit: mm (in)

Point to point	Dimension	Point to point	Dimension
(4) RH to (24)	1,127 (44.37) Wagon model	(19) LH to (20) LH	1,089 (42.87)
(4) LH to (24)	1,110 (43.70) Sedan model	(20) RH to (22) RH	869 (34.21)
(10) to (24)	957 (37.68) Wagon model	(20) LH to (22) LH	869 (34.21)
(10) to (24)	935 (36.81) Sedan model	(21) RH to (22) RH	985 (38.78)
(10) to (12) RH	1,122 (44.17) Wagon model	(21) LH to (22) LH	985 (38.78)
(10) to (12) RH	1,106 (43.54) Sedan model	(24) to (65)	1,232 (48.50) Wagon model
(10) to (12) LH	1,122 (44.17) Wagon model	(24) to (65)	1,237 (48.70) Sedan model
(10) to (12) LH	1,106 (43.17) Sedan model	(65) to (70) RH	1,067 (42.01)
(12) RH to (12) LH	1,029 (40.51) Wagon model	(65) to (70) LH	1,067 (42.01)
(12) RH to (12) LH	1,042 (41.02) Sedan model	(65) to (73) RH	830 (32.68)
(18) RH to (21) RH	1,049 (41.30)	(65) to (73) LH	830 (32.68)
(18) LH to (21) LH	1,049 (41.30)	(73) RH to (73) LH	1,394 (54.88)
(19) RH to (20) RH	1,089 (42.87)	—	—

DATUM DIMENSIONS

BODY STRUCTURE

3. WAGON MODEL/SEDAN MODEL (REAR STRUCTURE)

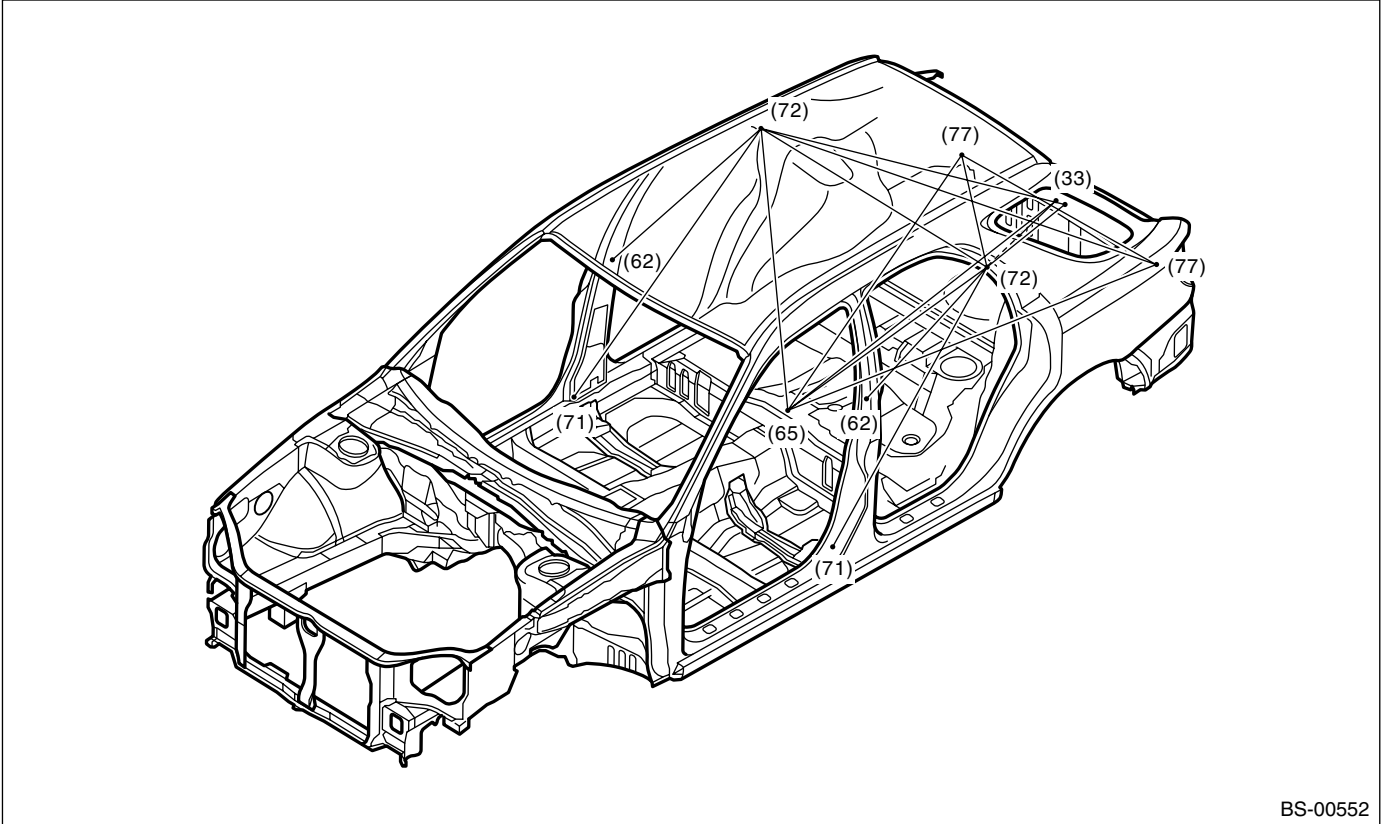


BS-00551

Unit: mm (in)

Point to point	Dimension	Point to point	Dimension
(58) RH to (58) LH	1,128 (44.41)	(67) RH to (67) LH	1,110 (43.70)
(62) RH to (62) LH	1,332 (52.44)	(67) RH to (91) LH	1,381 (54.37)
(62) RH to (65)	915 (36.02)	(67) LH to (91) RH	1,381 (54.37)
(62) LH to (65)	915 (36.02)	(70) RH to (70) LH	1,060 (41.73)
(62) RH to (73) RH	762 (30.00)	(70) RH to (73) RH	948 (37.32)
(62) LH to (73) LH	762 (30.00)	(70) LH to (73) LH	948 (37.32)
(62) RH to (73) LH	1,561 (61.46)	(70) RH to (73) LH	1,542 (60.71)
(62) LH to (73) RH	1,561 (61.46)	(70) LH to (73) RH	1,542 (60.71)
(62) RH to (74) RH	592 (23.31) Wagon model	(70) RH to (75) RH	1,443 (56.81)
(62) LH to (74) LH	603 (23.74) Sedan model	(70) LH to (75) LH	1,443 (56.81)
(65) to (67) RH	1,501 (59.09)	(70) RH to (91) LH	1,532 (60.32)
(65) to (67) LH	1,501 (59.09)	(70) LH to (91) RH	1,532 (60.32)
(65) to (71) RH	823 (32.40)	(71) RH to (71) LH	1,361 (53.58)
(65) to (71) LH	823 (32.40)	(71) RH to (74) RH	954 (37.56) Wagon model
(65) to (74) RH	1,275 (50.20) Wagon model	(71) LH to (74) LH	949 (37.36) Sedan model
(65) to (74) LH	1,282 (50.47) Sedan model	(74) RH to (74) LH	1,135 (44.69) Wagon model
(65) to (75) RH	1,450 (57.09)	(74) RH to (74) LH	1,147 (45.16) Sedan model
(65) to (75) LH	1,450 (57.09)	(75) RH to (75) LH	1,399 (55.08)
(65) to (91) RH	1,064 (41.89)	(91) RH to (91) LH	1,205 (47.44)
(65) to (91) LH	1,064 (41.89)	—	—

4. WAGON MODEL (FRONT STRUCTURE)



BS-00552

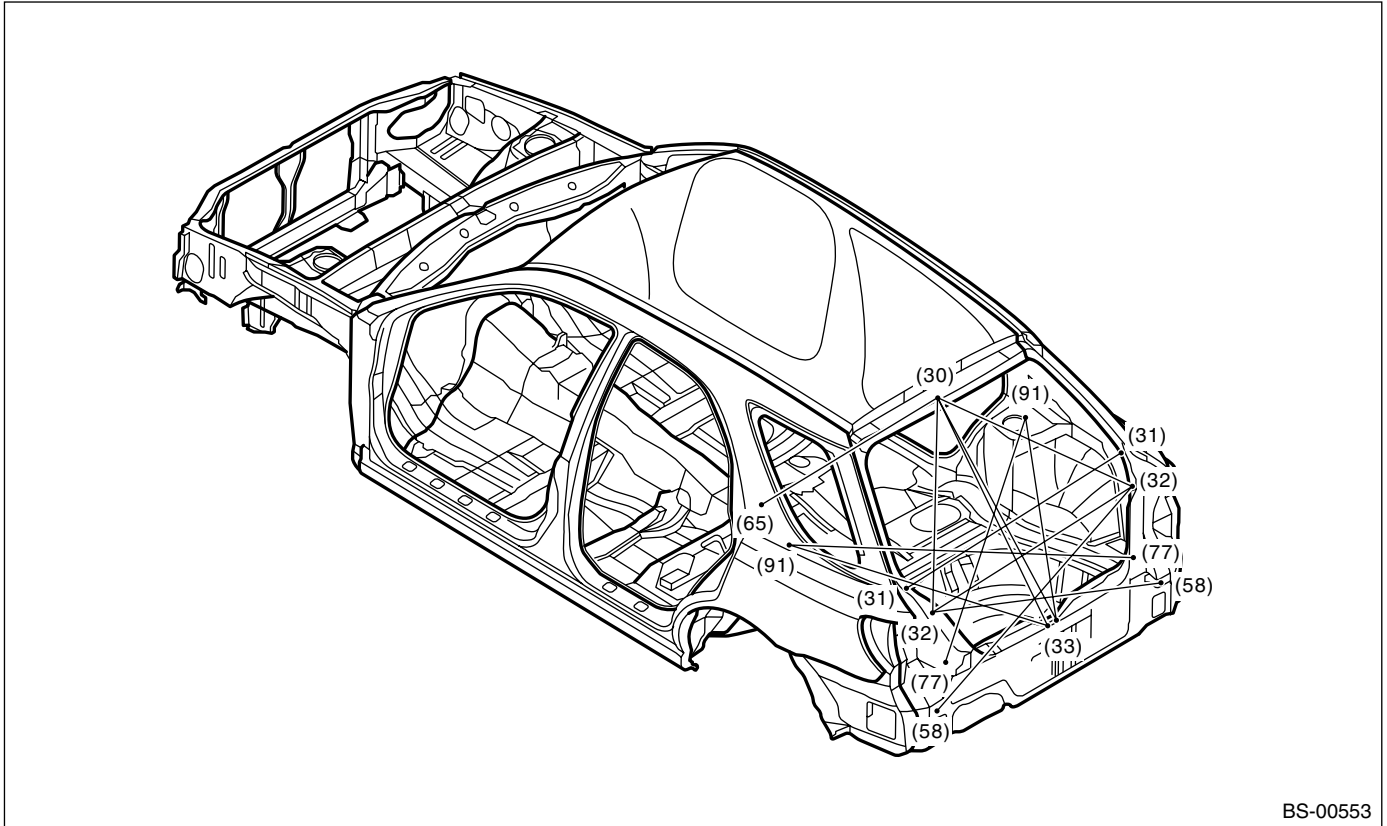
Unit: mm (in)

Point to point	Dimension	Point to point	Dimension
(33) RH to (65)	1,534 (60.39)	(65) to (77) RH	1,538 (60.55)
(33) LH to (65)	1,534 (60.39)	(65) to (77) LH	1,538 (60.55)
(33) RH to (72) LH	1,344 (52.91)	(71) RH to (72) RH	1,223 (48.15)
(33) LH to (72) RH	1,344 (52.91)	(71) LH to (72) LH	1,223 (48.15)
(62) RH to (72) RH	732 (28.82)	(72) RH to (72) LH	1,226 (48.27)
(62) LH to (72) LH	732 (28.82)	(72) RH to (77) LH	1,544 (60.79)
(65) to (72) RH	1,076 (42.36)	(72) LH to (77) RH	1,544 (60.79)
(65) to (72) LH	1,076 (42.36)	(77) RH to (77) LH	898 (35.35)

DATUM DIMENSIONS

BODY STRUCTURE

5. WAGON MODEL (REAR STRUCTURE)

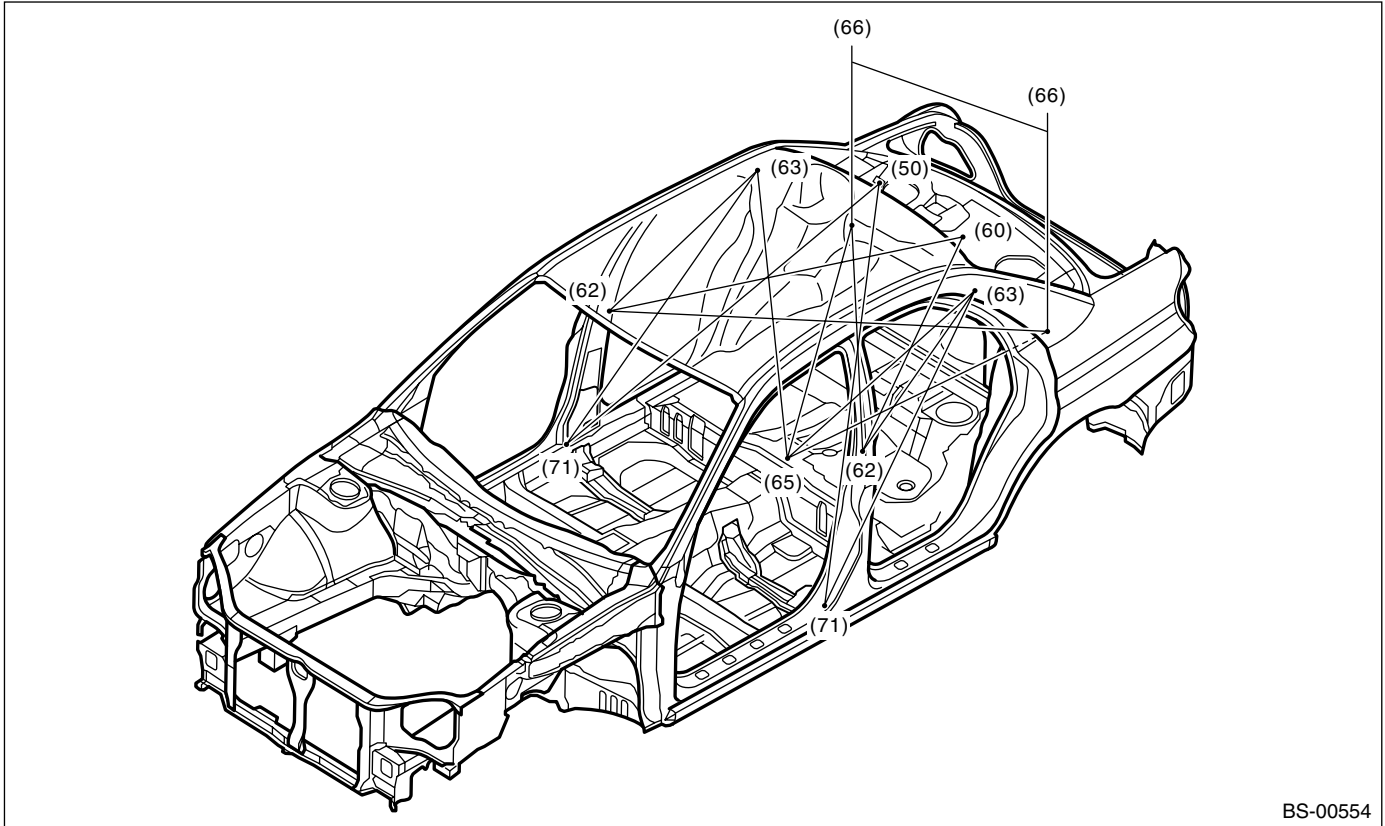


BS-00553

Unit: mm (in)

Point to point	Dimension	Point to point	Dimension
(30) to (32) RH	850 (33.46)	(32) RH to (58) LH	1,139 (44.84)
(30) to (32) LH	850 (33.46)	(32) LH to (58) RH	1,139 (44.84)
(30) to (33) RH	904 (35.59)	(33) RH to (91) LH	993 (39.09)
(30) to (33) LH	904 (35.59)	(33) LH to (91) LH	993 (39.09)
(30) to (65)	1,292 (50.87)	(77) RH to (91) LH	1,289 (50.75)
(31) RH to (31) LH	1,212 (47.72)	(77) LH to (91) RH	1,289 (50.75)
(32) RH to (32) LH	1,038 (40.87)	—	—

6. SEDAN MODEL (FRONT STRUCTURE)



BS-00554

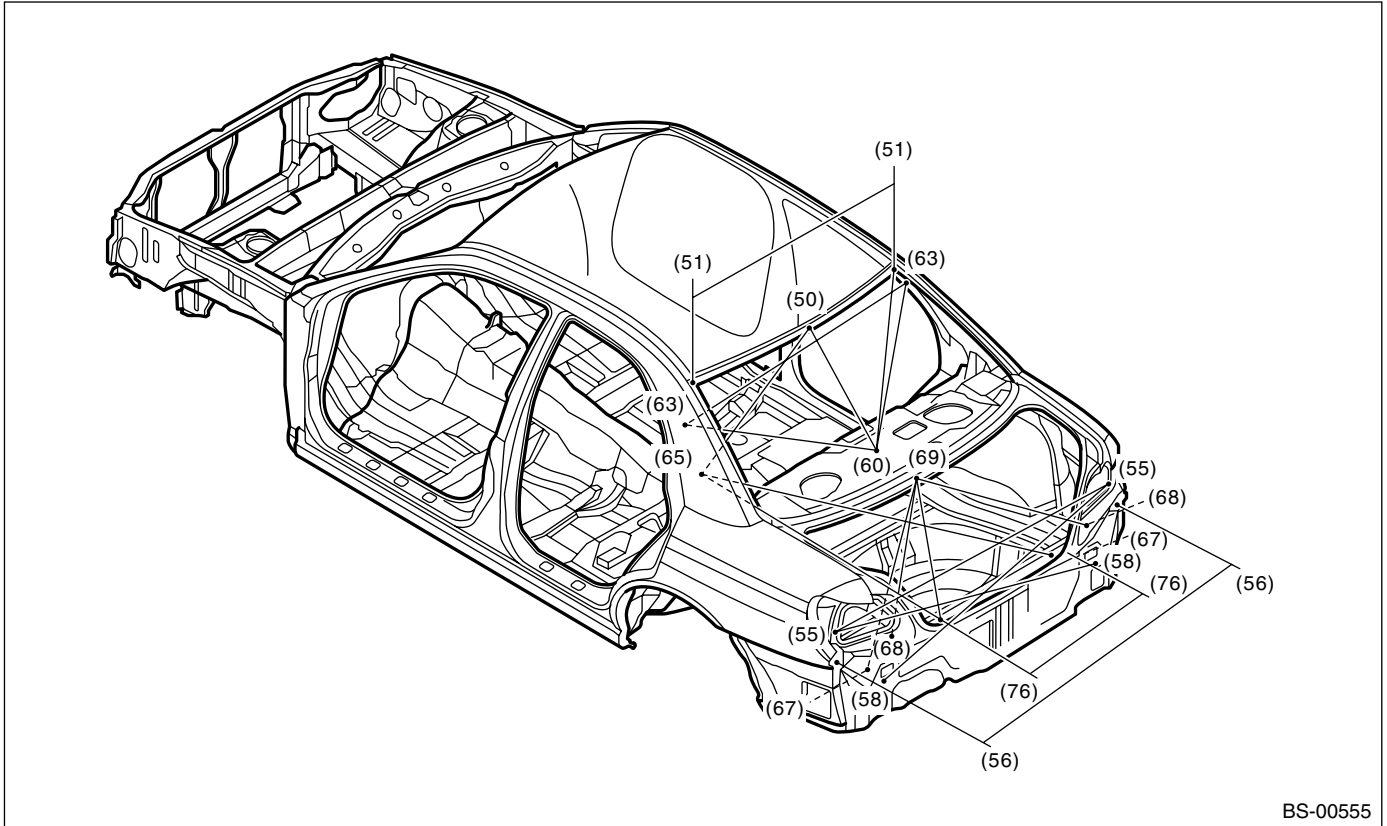
Unit: mm (in)

Point to point	Dimension	Point to point	Dimension
(50) to (71) RH	1,562 (61.50)	(63) RH to (65)	1,118 (44.02)
(50) to (71) LH	1,562 (61.50)	(63) LH to (65)	1,118 (44.02)
(60) to (62) RH	1,338 (52.68)	(63) RH to (71) RH	1,283 (50.51)
(60) to (62) LH	1,338 (52.68)	(63) LH to (71) LH	1,283 (50.51)
(62) RH to (63) RH	773 (30.43)	(65) to (66) RH	956 (37.64)
(62) LH to (63) LH	773 (30.43)	(65) to (66) LH	956 (37.64)
(62) RH to (66) LH	1,449 (57.05)	(66) RH to (66) LH	840 (33.07)
(62) LH to (66) RH	1,449 (57.05)	—	—

DATUM DIMENSIONS

BODY STRUCTURE

7. SEDAN MODEL (REAR STRUCTURE)

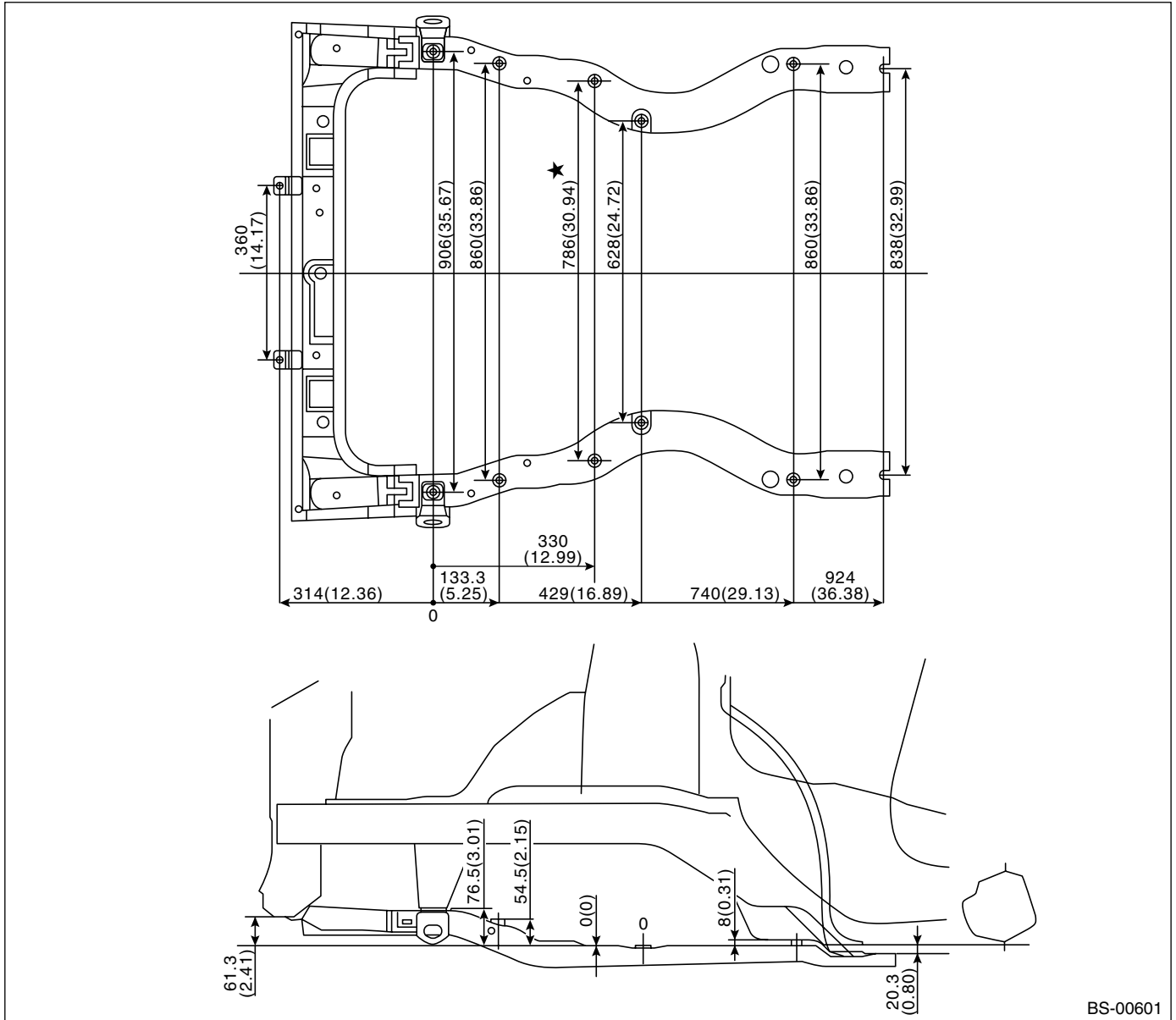


BS-00555

Unit: mm (in)

Point to point	Dimension	Point to point	Dimension
(50) to (60)	501 (19.72)	(65) to (76) LH	1,544 (60.79)
(50) to (65)	1,082 (42.60)	(65) to (68) RH	1,581 (62.24)
(51) RH to (51) LH	1,025 (40.35)	(65) to (68) LH	1,581 (62.24)
(51) RH to (60)	734 (28.90)	(67) RH to (69)	784 (30.87)
(55) RH to (55) LH	1,406 (55.35)	(67) LH to (69)	784 (30.87)
(55) RH to (58) LH	1,297 (51.06)	(68) RH to (68) LH	1,020 (40.16)
(55) LH to (58) RH	1,297 (51.06)	(68) RH to (69)	681 (26.81)
(56) RH to (56) LH	1,426 (56.14)	(68) LH to (69)	681 (26.81)
(60) to (63) RH	764 (30.08)	(69) to (76) RH	537 (21.14)
(60) to (63) LH	764 (30.08)	(69) to (76) LH	537 (21.14)
(63) RH to (63) LH	1,183 (46.57)	(76) RH to (76) LH	600 (23.62)
(65) to (76) RH	1,544 (60.79)	—	—

8. SUB FRAME ALIGNMENT



BS-00601

Unit: mm (in)

* : Only for STi model

Horizontal and vertical dimensions are values measured from datum points (0).

DATUM DIMENSIONS

BODY STRUCTURE
