

4. Speedometer

A: REMOVAL

NOTE:

Main meter assembly of STi model cannot be disassembled. Do not remove or inspect the speedometer as a single unit.

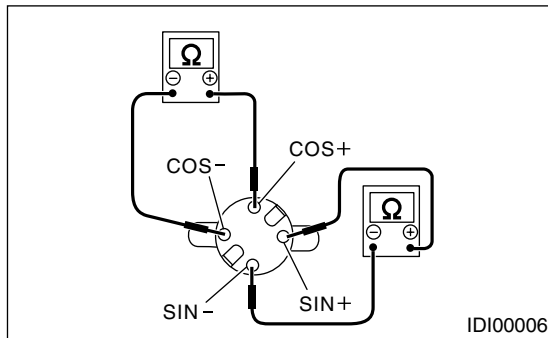
Disassemble the combination meter, and then remove the speedometer and tachometer assembly.
<Ref. to IDI-10, DISASSEMBLY, Combination Meter Assembly.>

B: INSTALLATION

Install in the reverse order of removal.

C: INSPECTION

Measure the speedometer resistance.



Terminal	Resistance
Terminals SIN+ and SIN-	200±8 Ω
Terminals COS+ and COS-	200±8 Ω

If NG, replace the speedometer and tachometer assembly.

If OK, replace the combination meter printed circuit.