

6. Fuel Gauge

A: REMOVAL

NOTE:

Main meter assembly of STi model cannot be disassembled. Do not remove or inspect the fuel gauge as a single unit.

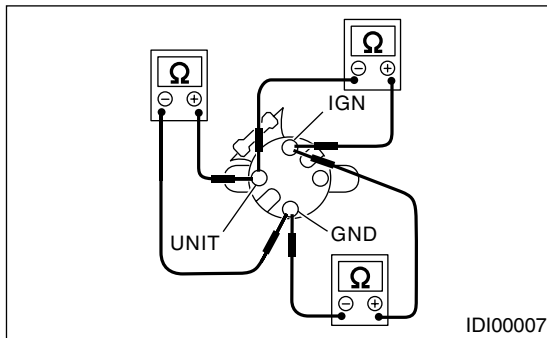
Disassemble the combination meter, and then remove the water temperature gauge and fuel gauge assembly. <Ref. to IDI-10, DISASSEMBLY, Combination Meter Assembly.>

B: INSTALLATION

Install in the reverse order of removal.

C: INSPECTION

Measure the fuel gauge resistance.



Terminal	Resistance
Terminals IGN and GND	170±10 Ω
Terminals IGN and UNIT	35±10 Ω
Terminals UNIT and GND	136±10 Ω

If NG, replace the water temperature gauge and fuel gauge assembly.

If OK, replace the combination meter printed circuit.