

# WATER TEMPERATURE GAUGE

INSTRUMENTATION/DRIVER INFO

## 7. Water Temperature Gauge

### A: REMOVAL

NOTE:

Main meter assembly of STi model cannot be disassembled. Do not remove or inspect the water temperature gauge as a single unit.

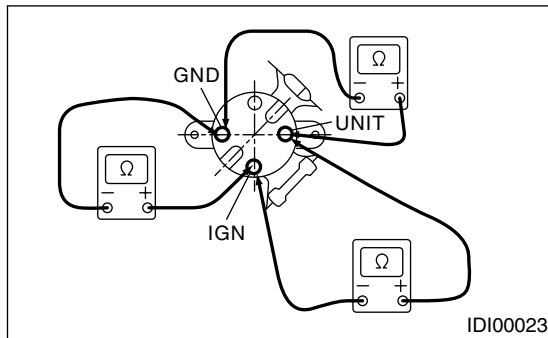
Disassemble the combination meter, and then remove the tachometer and water temperature gauge and fuel gauge assembly. <Ref. to IDI-10, DISASSEMBLY, Combination Meter Assembly.>

### B: INSTALLATION

Install in the reverse order of removal.

### C: INSPECTION

Measure the water temperature gauge resistance.



Terminal	Resistance
Terminals IGN and GND	$208 \pm 10 \Omega$
Terminals IGN and UNIT	$56 \pm 10 \Omega$
Terminals UNIT and GND	$264 \pm 10 \Omega$

If NG, replace the water temperature gauge and fuel gauge assembly.

If OK, replace the combination meter printed circuit.