

FRONT SEAT

SEATS

2. Front Seat

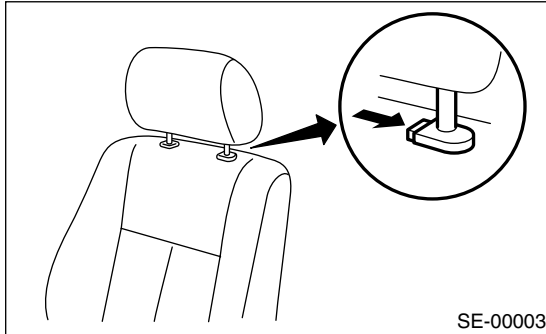
A: REMOVAL

1) Disconnect the ground cable from battery.

CAUTION:

The airbag system is fitted with a backup power source. If the airbag system is serviced within 20 seconds after the ground cable is disconnected, it may inflate.

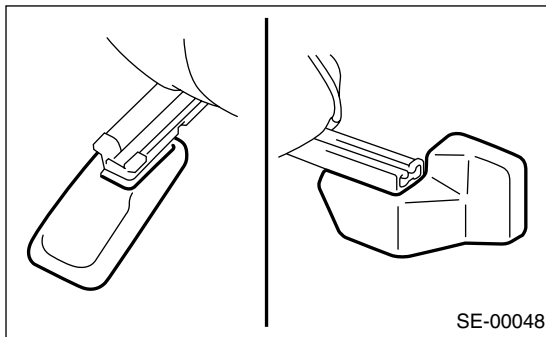
2) While pressing the headrest lock button, remove the headrest.



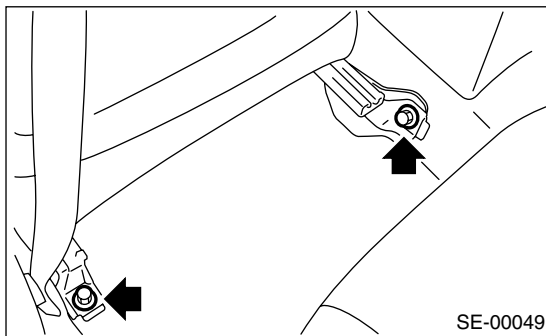
3) Tilt forward the backrest.

4) Move the seat to full front end.

5) Remove the bolt cover at rear end of slide rail.

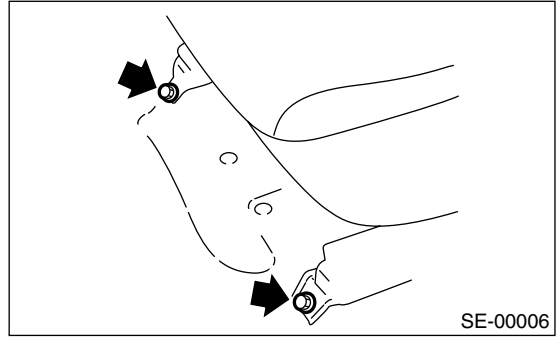


6) Remove the two bolts at rear side of seat rail.



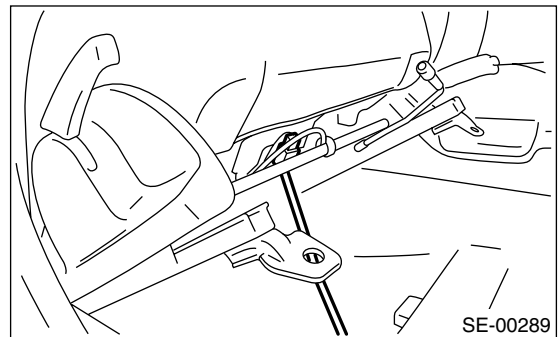
7) Move the seat to full rear end.

8) Remove the two bolts at front side of seat rail.



9) Disconnect the connector under seat.

- Seat belt warning light connector (Driver's seat)
- Side airbag connector (with side airbag)
- Seat heater connector (with seat heater)



10) Remove the front seat from vehicle.

B: INSTALLATION

Install in the reverse order of removal.

Tightening torque:

Refer to **COMPONENT** in *General Description*. <Ref. to SE-2, FRONT SEAT, COMPONENT, General Description.>

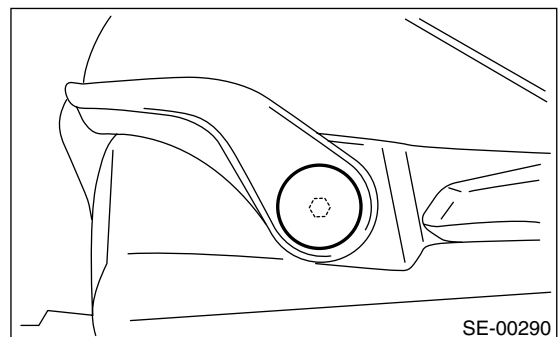
C: DISASSEMBLY

1. DRIVER'S SEAT

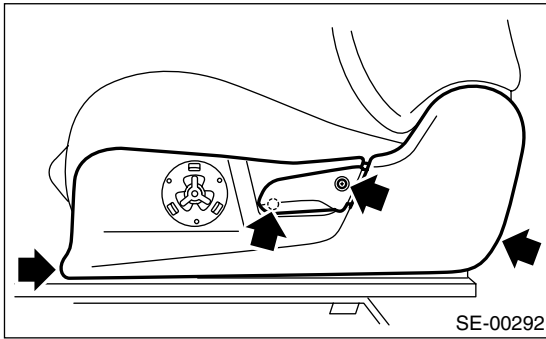
• Standard seat

1) Remove the seat from vehicle. <Ref. to SE-6, REMOVAL, Front Seat.>

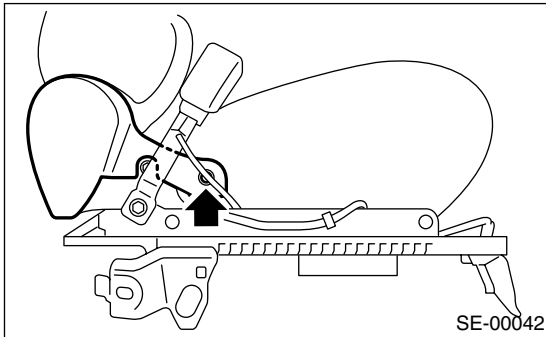
2) Remove the seat lifter cover using a flat tip screwdriver or equivalent, and then loosen the inside bolt to remove seat lifter lever.



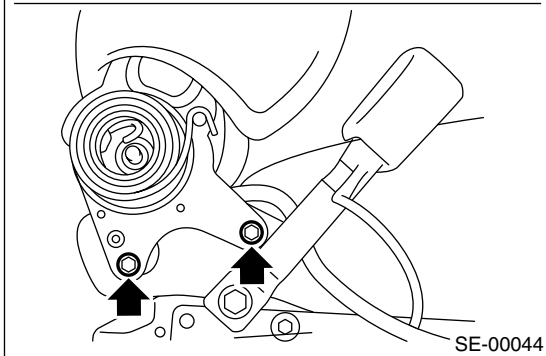
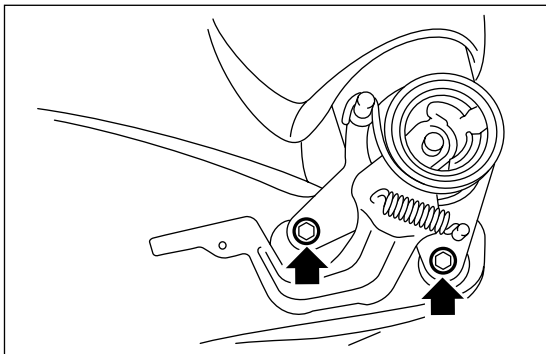
3) Remove the reclining lever and seat hinge outer cover.



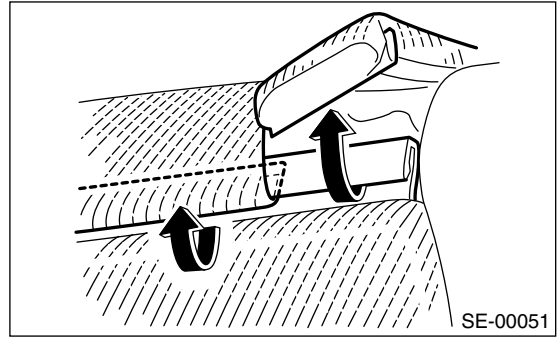
4) Remove the seat hinge inner cover.



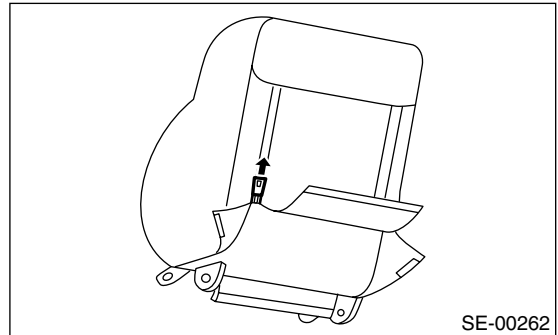
5) Remove two bolts from reclining hinge on each side.



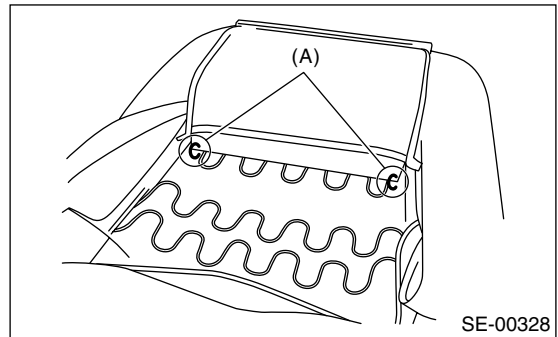
6) Remove the hook at bottom of backrest.



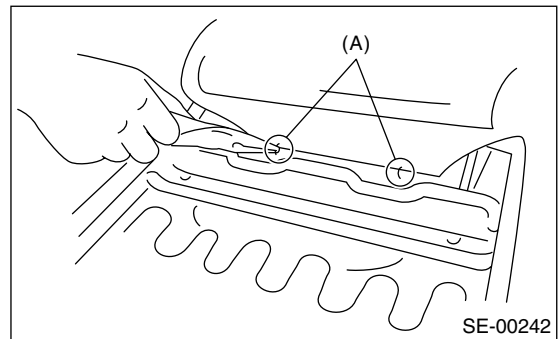
7) Open the zipper behind of backrest.



8) Remove the hog rings (A) of backrest cover.



9) Remove the hog rings (A) which secure the backrest cover and backrest pad.



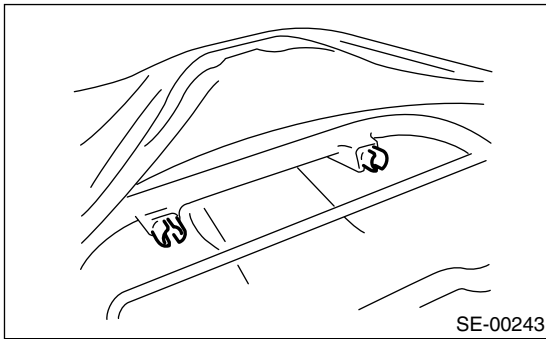
FRONT SEAT

SEATS

10) Remove the headrest bushes.

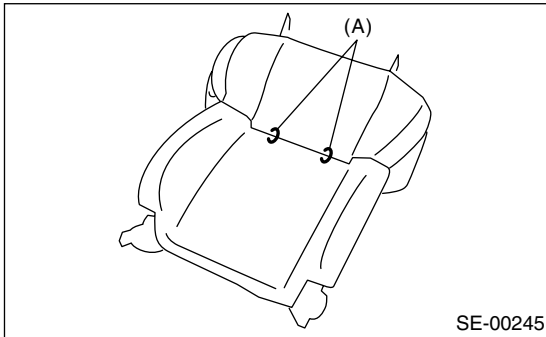
NOTE:

Push the headrest bushes to outside of seat from inside, and then remove them.

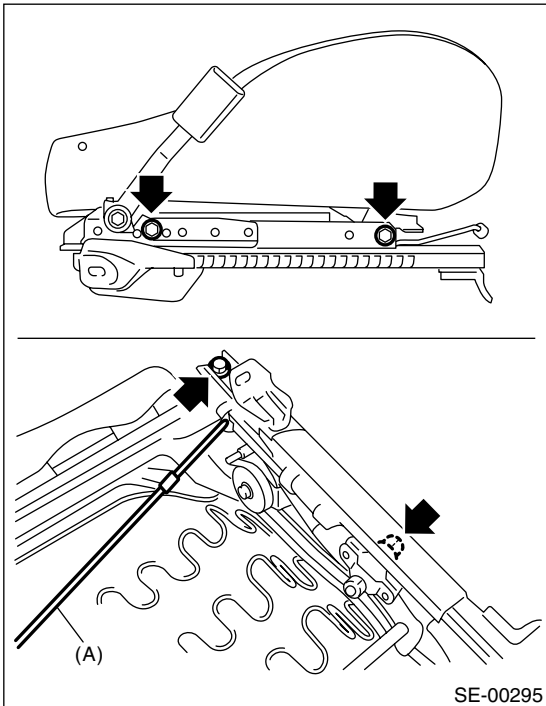


11) Pull out the backrest frame.

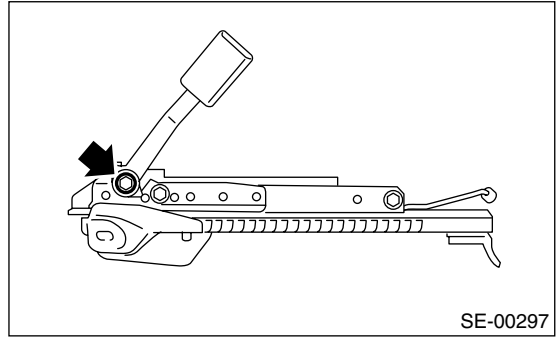
12) Remove the hog rings (A) at front of seat back, and then remove the seat back cover from seat back.



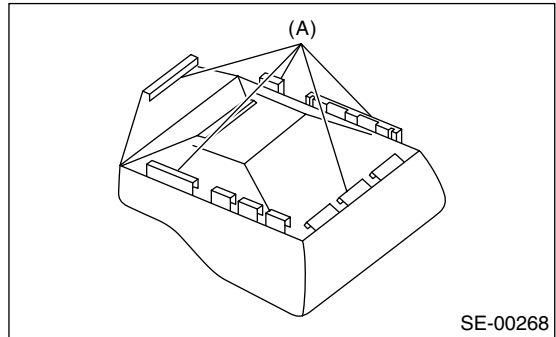
13) Remove the connecting wire (A), and then loosen the bolts and nuts to remove slide rail.



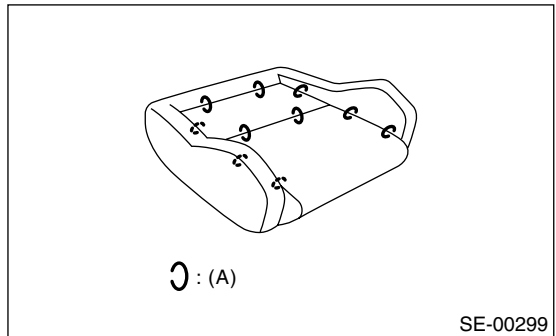
14) Remove the inner belt.



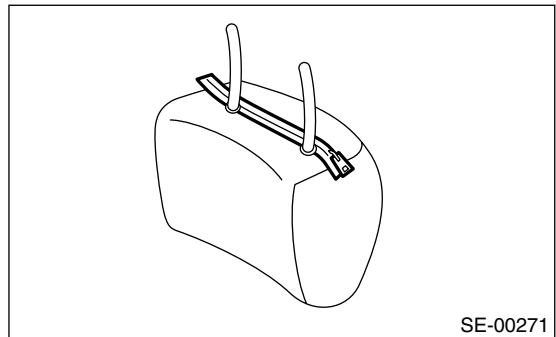
15) Remove the hook (A), and then remove the seat cushion frame.



16) Remove the hog rings (A), and then remove the seat cushion cover from seat cushion pad.

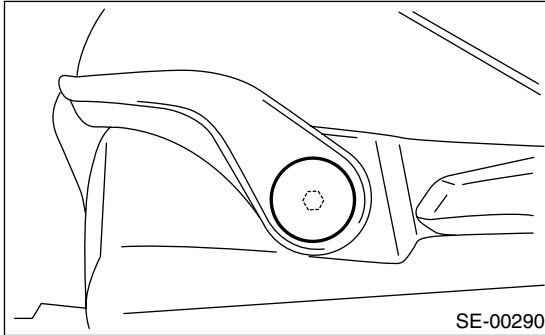


17) Open the zipper at bottom of headrest, and then remove the headrest cover from headrest.

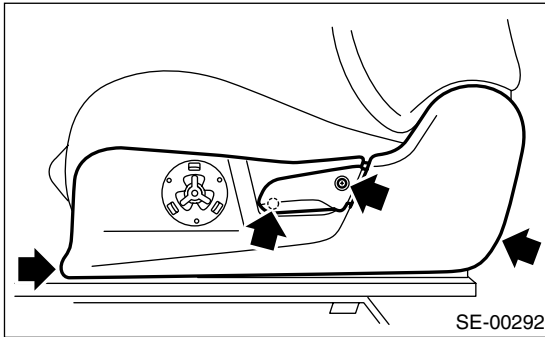


• **Bucket type seat**

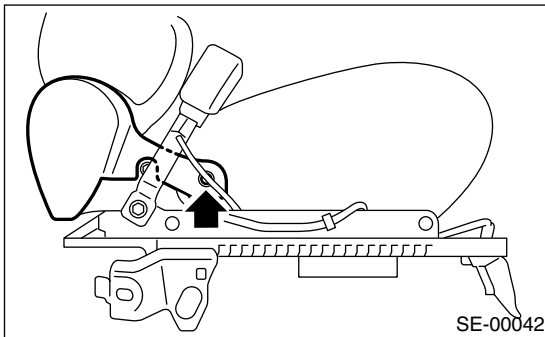
- 1) Remove the seat from vehicle. <Ref. to SE-6, REMOVAL, Front Seat.>
- 2) Remove the seat lifter cover using a flat tip screwdriver or equivalent, and then loosen inside bolt to remove seat lifter lever.



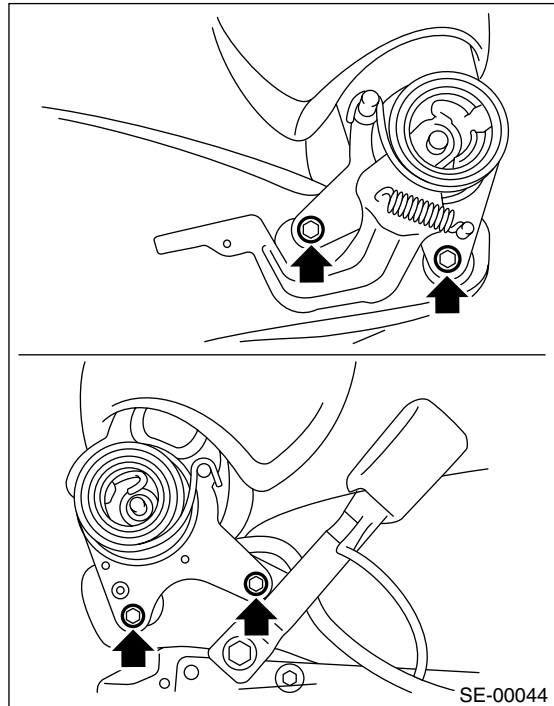
- 3) Remove the reclining lever and seat hinge outer cover.



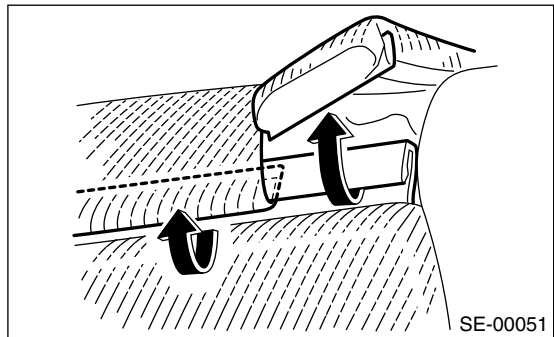
- 4) Remove the seat hinge inner cover.



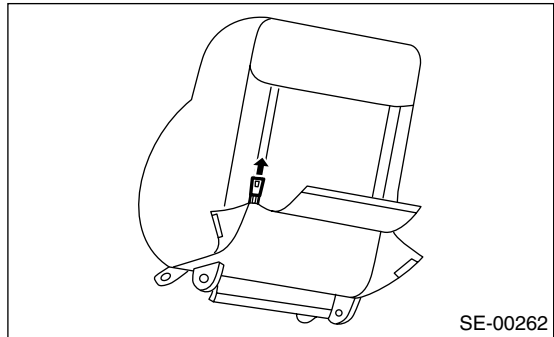
- 5) Remove two bolts from reclining hinge on each side.



- 6) Remove the hook at bottom of backrest.



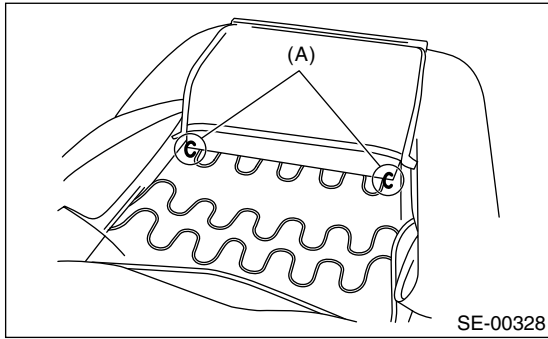
- 7) Open the zipper behind of backrest. (Side airbag equipped seat)



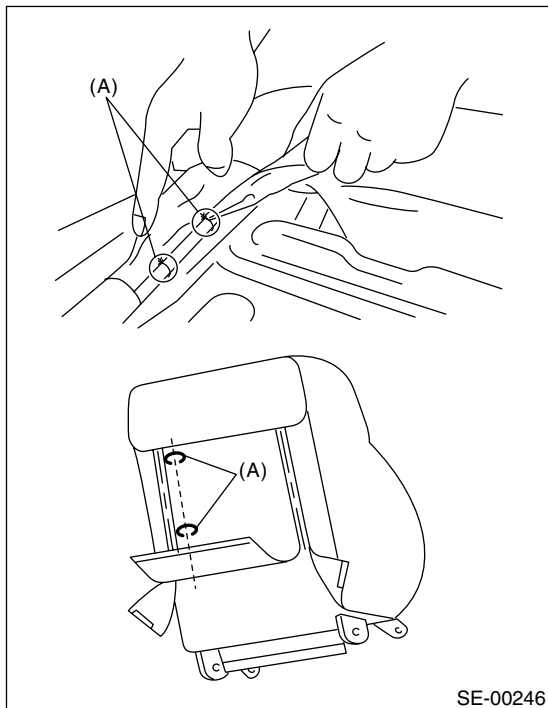
FRONT SEAT

SEATS

8) Remove the hog rings (A) of backrest cover.
(Side airbag equipped seat)

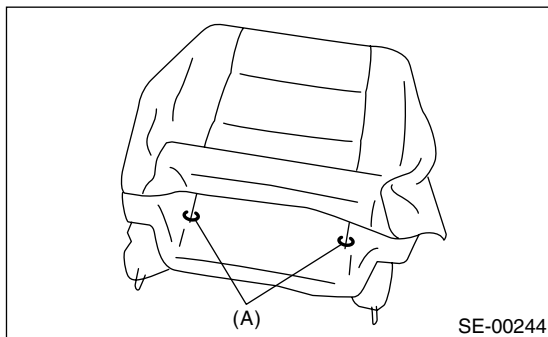


9) Open the zipper behind of backrest cover, and then remove the hog rings (A) at side of inside backrest from backrest frame.

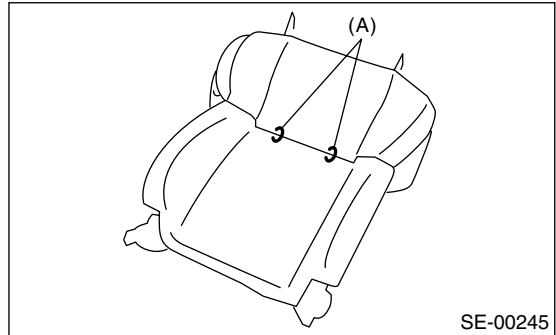


10) Pull out the backrest frame.

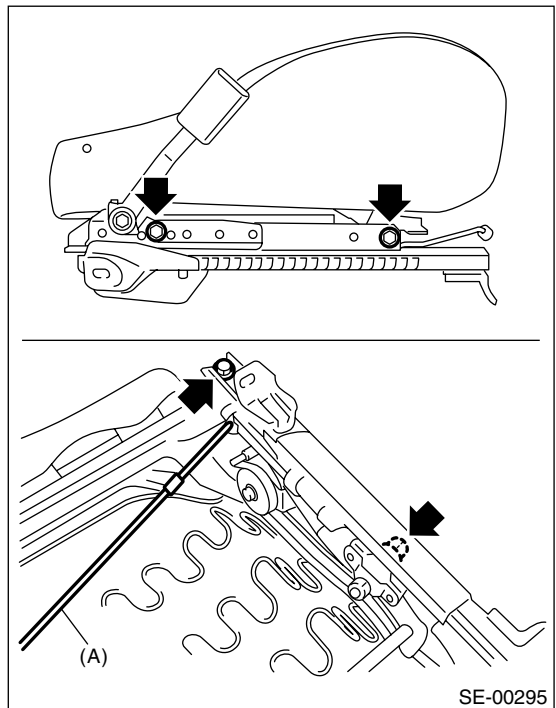
11) Remove the hog rings (A) at bottom of seat back.



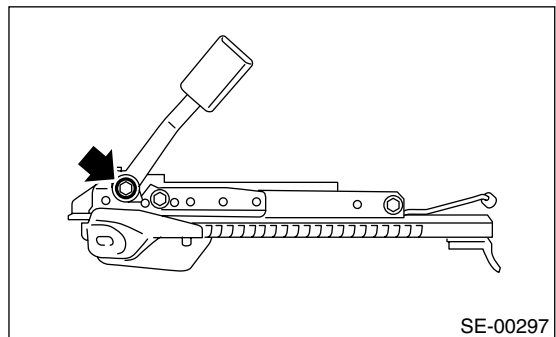
12) Remove the hog rings (A) at front of seat back, and then remove the seat back cover from seat back.



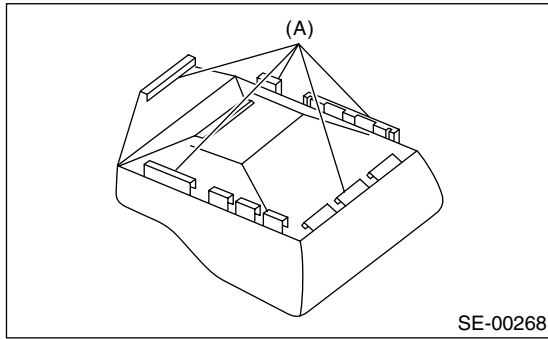
13) Remove the connection wire (A), and then loosen the bolts and nuts to remove slide rail.



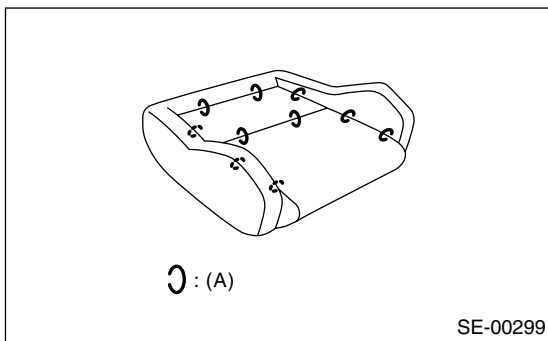
14) Remove the inner belt.



15) Remove the hook (A), and then remove the seat cushion frame.



16) Remove the hog rings (A), and then remove the seat cushion cover from seat cushion pad.

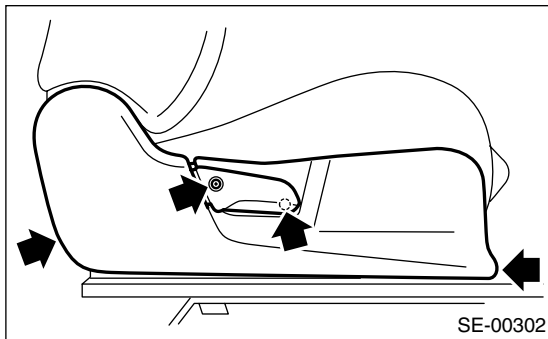


2. PASSENGER'S SEAT

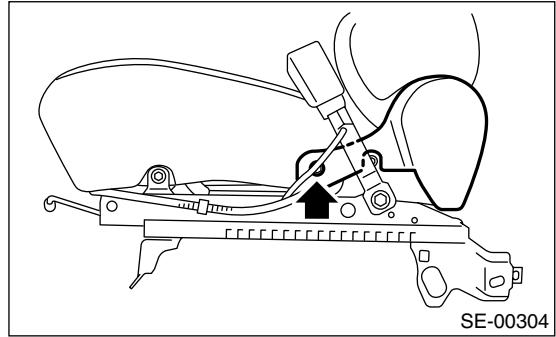
• Standard seat

1) Remove the seat from vehicle. <Ref. to SE-6, REMOVAL, Front Seat.>

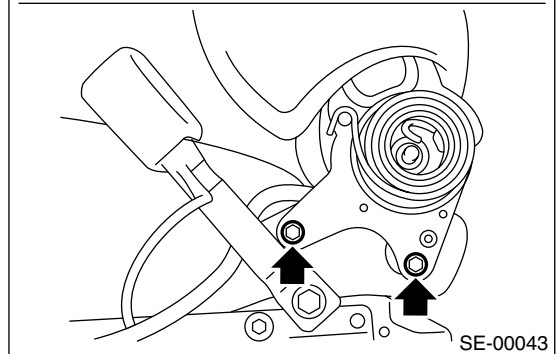
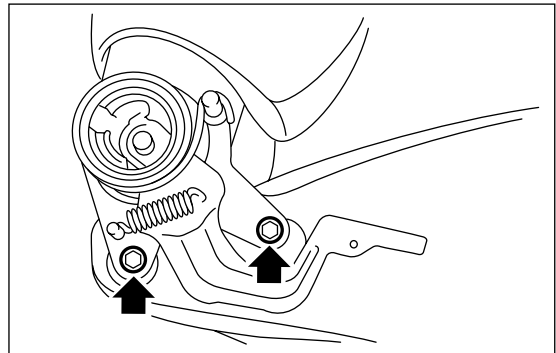
2) Remove the reclining lever and seat hinge cover outer.



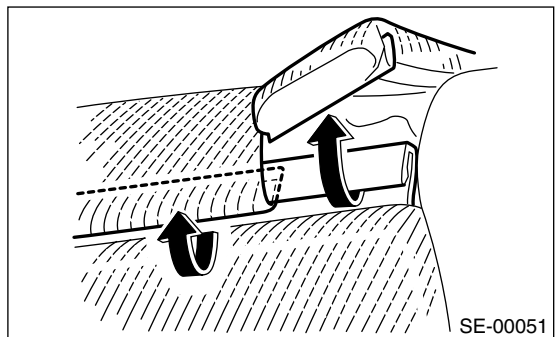
3) Remove the seat hinge cover inner.



4) Remove the bolts from reclining hinge on each side.



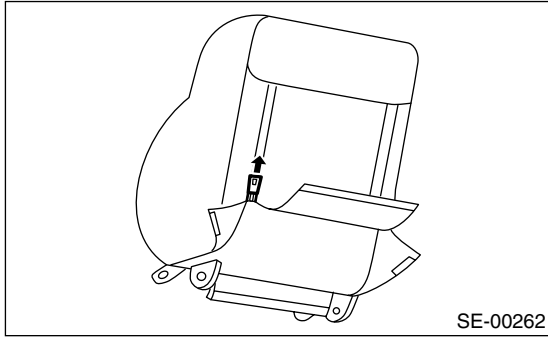
5) Remove the hook at bottom of backrest.



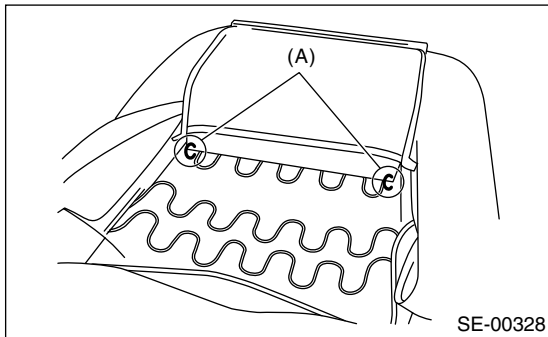
FRONT SEAT

SEATS

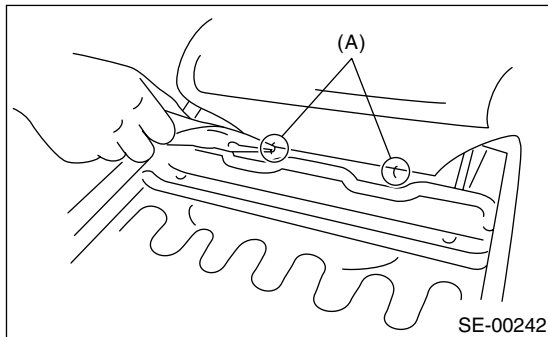
6) Open the zipper behind of backrest.



7) Remove the hog rings (A) of backrest cover.



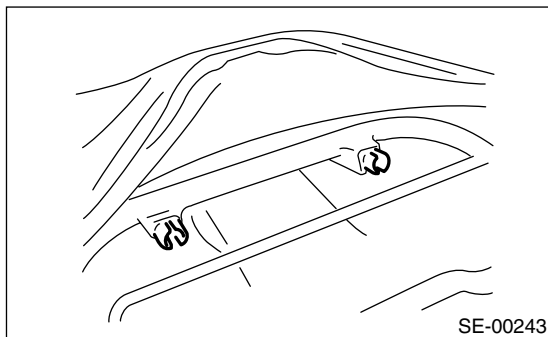
8) Remove the hog rings (A) which secure the backrest cover and backrest pad.



9) Remove the headrest bushes.

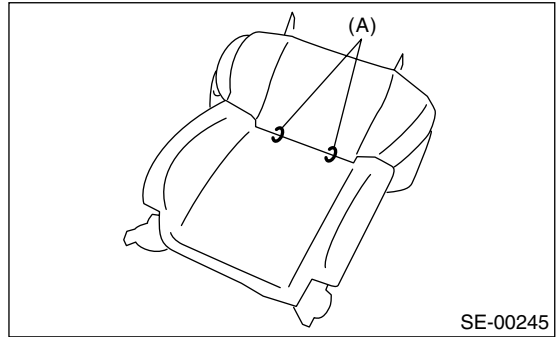
NOTE:

Push the headrest bushes to outside of seat from inside, and then remove them.

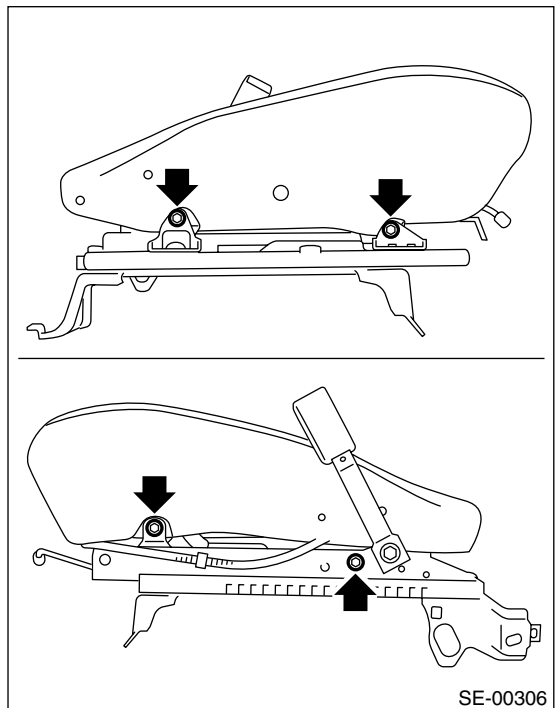


10) Pull out the backrest frame.

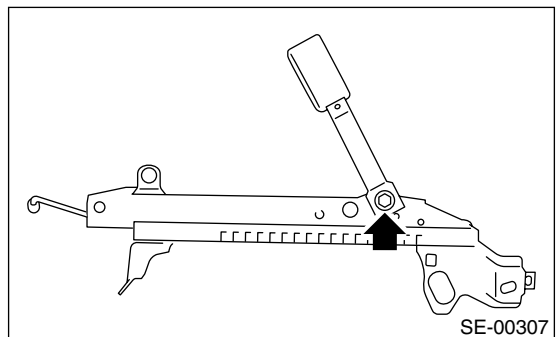
11) Remove the hog rings (A) at front of seat back, and then remove the seat back cover from seat back.



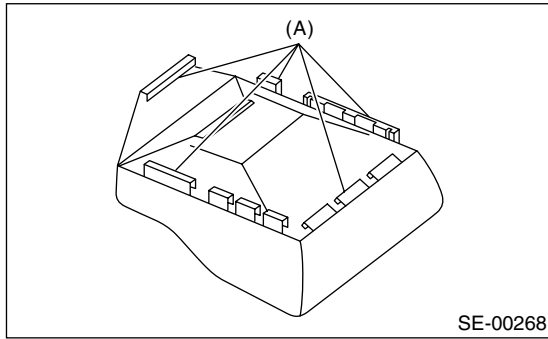
12) Loosen the bolts and nuts to remove the seat cushion from slide rail.



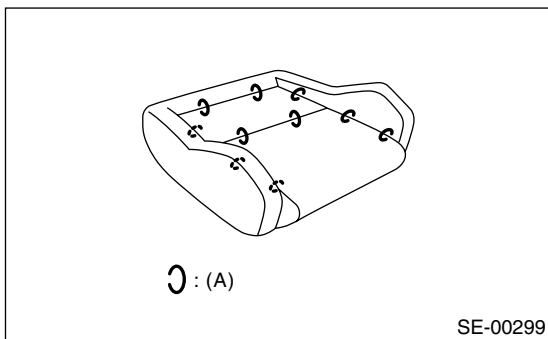
13) Remove the inner belt.



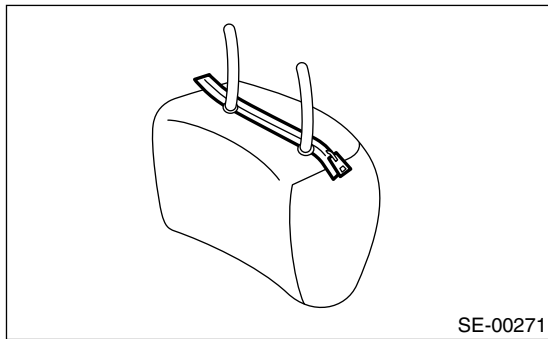
14) Remove the hooks (A), and then remove the seat cushion frame.



15) Remove the hog rings (A), and then remove seat cushion cover from seat cushion pad.



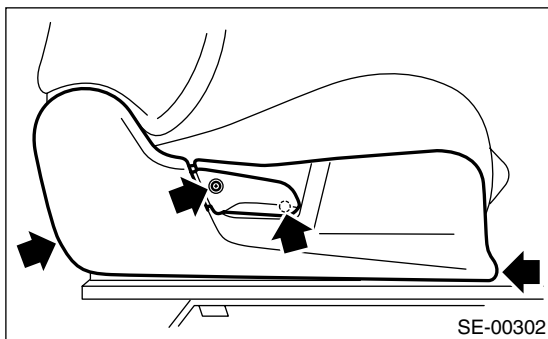
16) Open the zipper at bottom of headrest, and then remove the headrest cover from headrest.



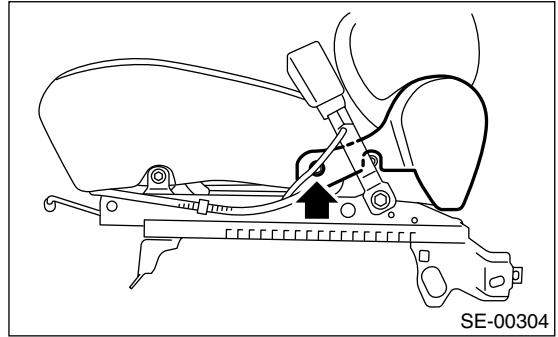
• **Bucket type seat**

1) Remove the seat from vehicle. <Ref. to SE-6, REMOVAL, Front Seat.>

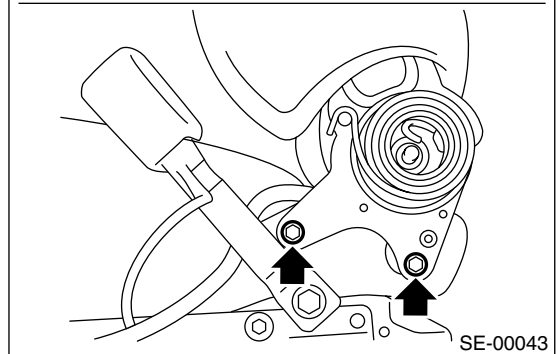
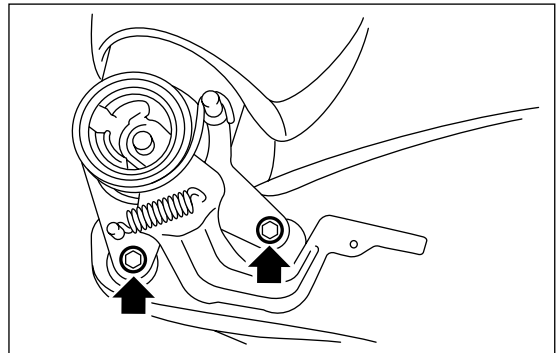
2) Remove the reclining lever and seat hinge outer cover.



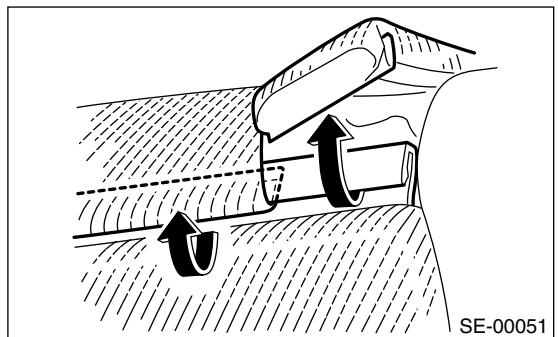
3) Remove the seat hinge inner cover.



4) Remove two bolts from reclining hinge on each side.



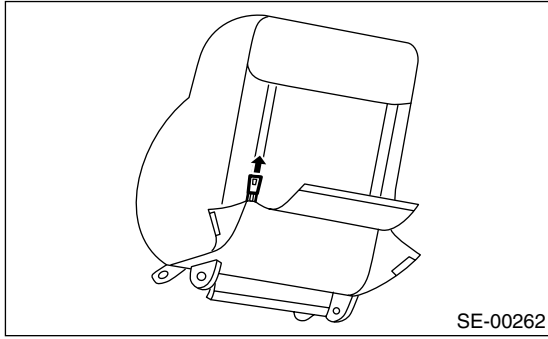
5) Remove the hook at bottom of backrest.



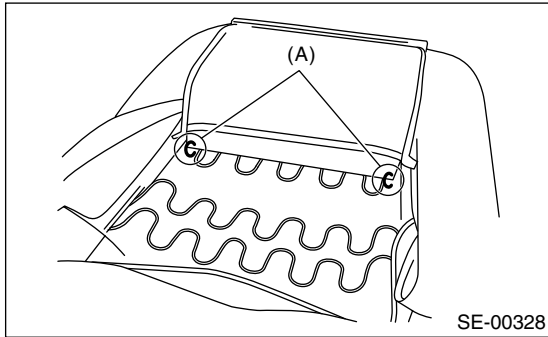
FRONT SEAT

SEATS

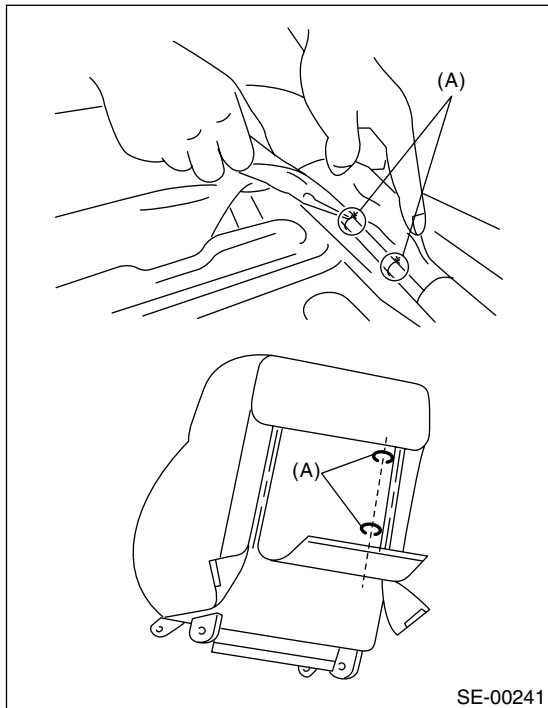
6) Open the zipper behind of backrest.



7) Remove the hog rings (A) of backrest cover.

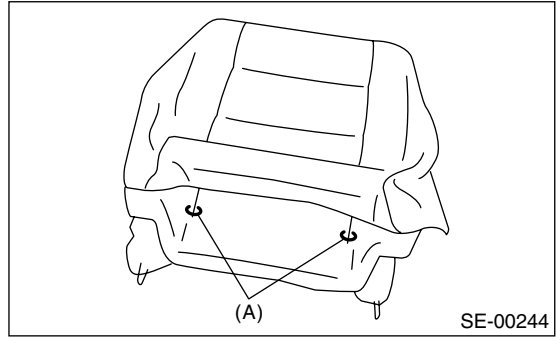


8) Remove the hog rings (A) at side of inside backrest from backrest frame.

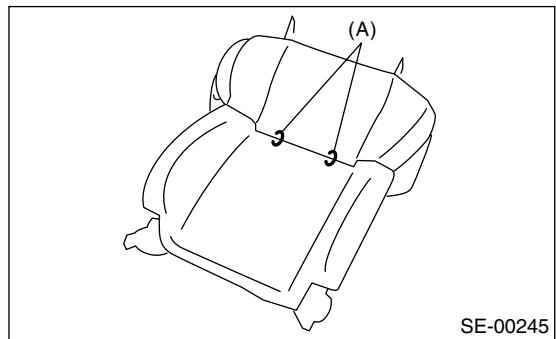


9) Pull out the backrest frame.

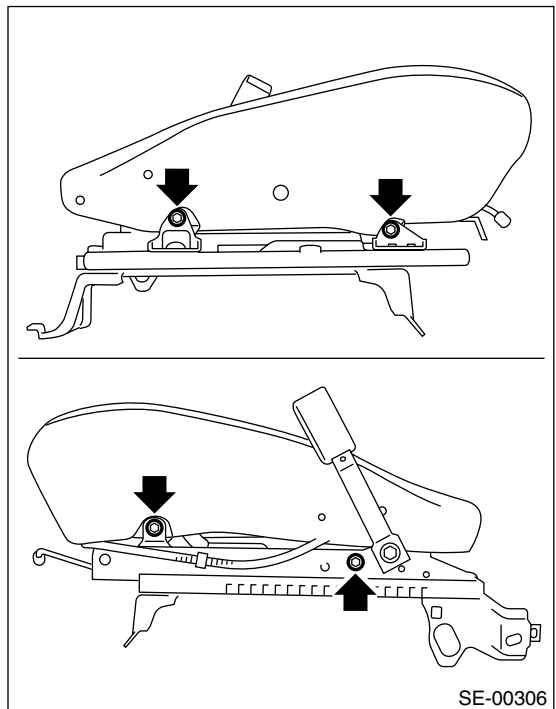
10) Remove the hog rings (A) at bottom of seat back.



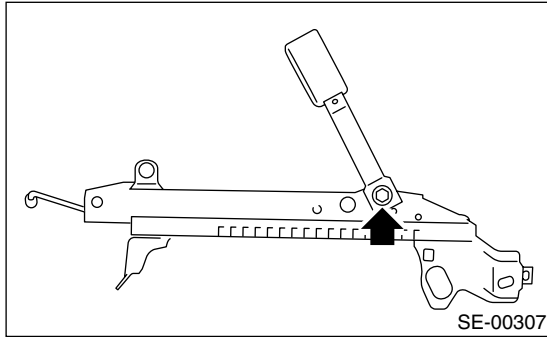
11) Remove the hog rings (A) at front of seat back, and then remove the seat back cover from seat back.



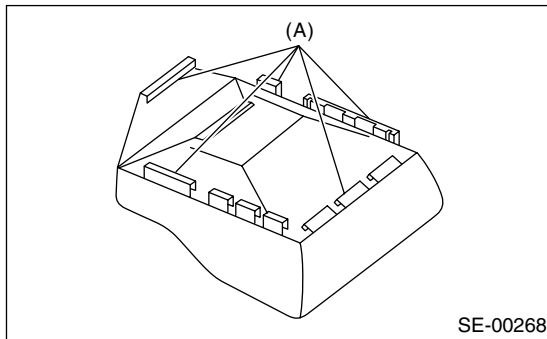
12) Loosen bolts and nuts to remove the seat cushion from slide rail.



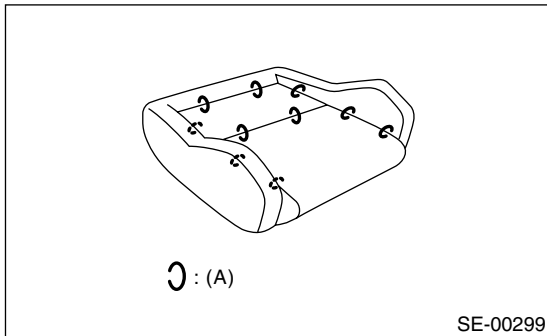
13) Remove the inner belt.



14) Remove the hook of seat cushion cover (A) behind of seat cushion.



15) Remove the hog rings (A), and then remove the seat cushion cover from seat cushion pad.



D: ASSEMBLY

1. DRIVER'S SIDE

Assemble in the reverse order of disassembly.

2. PASSENGER'S SIDE

Assemble in the reverse order of disassembly.

CAUTION:

Because it may cause the side airbag to activate incorrectly, observe the following steps to install the side airbag correctly.

- Be careful not to dirty or damage the backrest cover.
- Always use new hog rings.
- Secure the hog ring using hog ring pliers.
- Install the hog ring to its original position, and not to twist or wrinkle the backrest cover.

Tightening torque:

Refer to "COMPONENT" of "General Description". <Ref. to SE-2, FRONT SEAT, COMPONENT, General Description.>