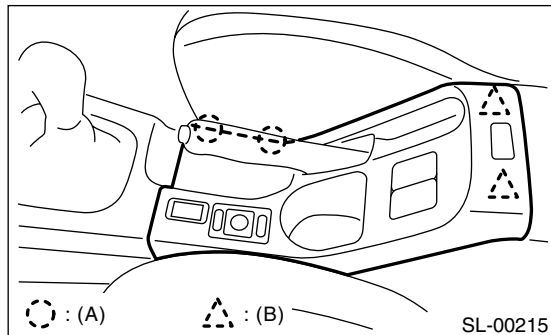


22. Security Control Module

A: REMOVAL

1. EXCEPT STi MODEL

- 1) Disconnect the ground terminal from battery.
- 2) Remove the console cover.

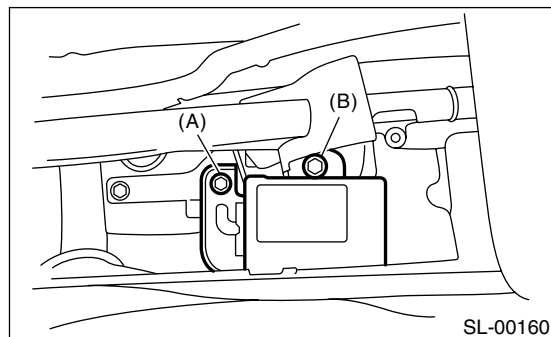


- (A) Hook pawl
- (B) Clip

- 3) Disconnect the connector from the security control module.
- 4) Remove bolt (A) and loosen bolt (B).

NOTE:

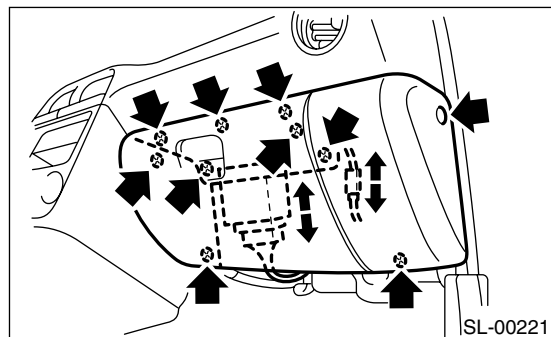
Loosen bolt (B) without completely removing it.



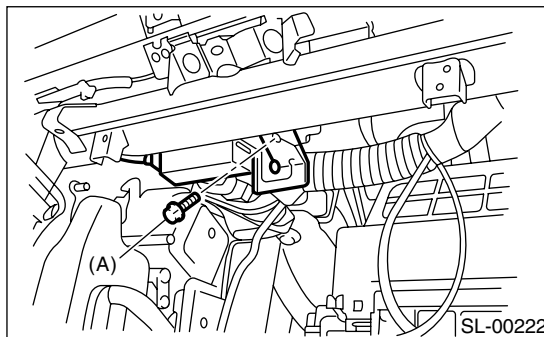
- 5) Remove the security control module.

2. STi MODEL

- 1) Disconnect the ground cable from battery.
- 2) Remove the glove box. <Ref. to EI-40, REMOVAL, Glove Box.>



- 3) Remove a bolt (A) and disconnect the connector, and then remove the security control module.



B: INSTALLATION

Install in the reverse order of removal.

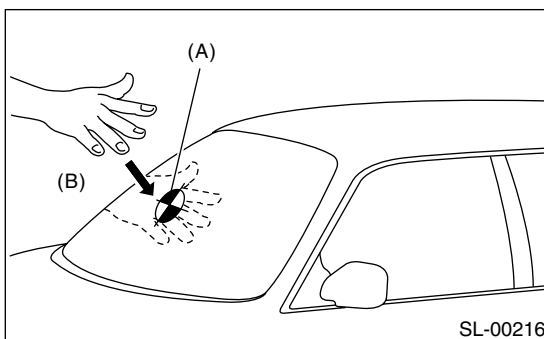
NOTE:

To install the security control module, tighten the bolts securely so that the bolts do not come loose.

C: INSPECTION

1. IMPACT SENSITIVITY TEST

- 1) Remove the key from the ignition switch.
- 2) Close all windows.
- 3) Close all doors and the rear gate or trunk lid.
- 4) Cover the hood with a blanket.
- 5) Press the LOCK/ARM button of the transmitter.
- 6) Confirm that the security indicator light blinks every 2 seconds.
- 7) Hit the center of the windshield with your palm and make sure the alarm operates.



- (A) Center of windshield
- (B) Hit with palm

If NG, adjust the impact sensitivity. <Ref. to SL-47, ADJUSTMENT, Security Control Module.>

D: ADJUSTMENT

1. IMPACT SENSITIVITY

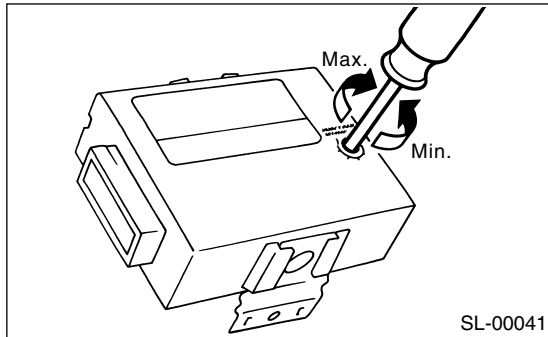
NOTE:

Before adjustment, make sure the security control module has been securely installed on the bracket.

- 1) Remove the security control module. <Ref. to SL-46, REMOVAL, Security Control Module.>
- 2) Adjust the sensitivity adjust screw in the security control module.

NOTE:

After adjusting, be sure to plug the adjust screw hole.



- 3) Install the security control module.
- 4) Perform the impact sensitivity test.